



Cortez Series

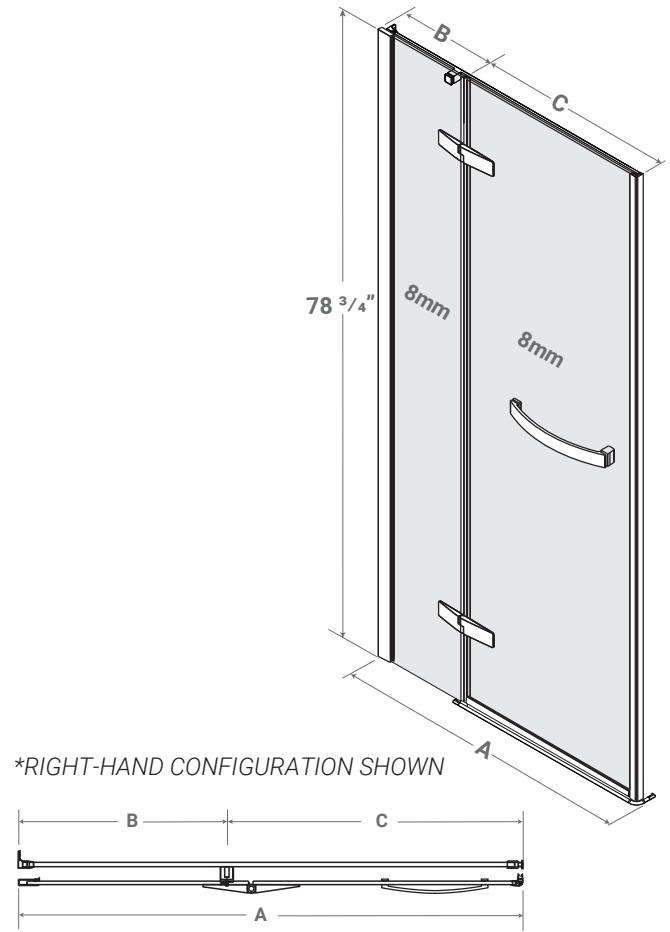
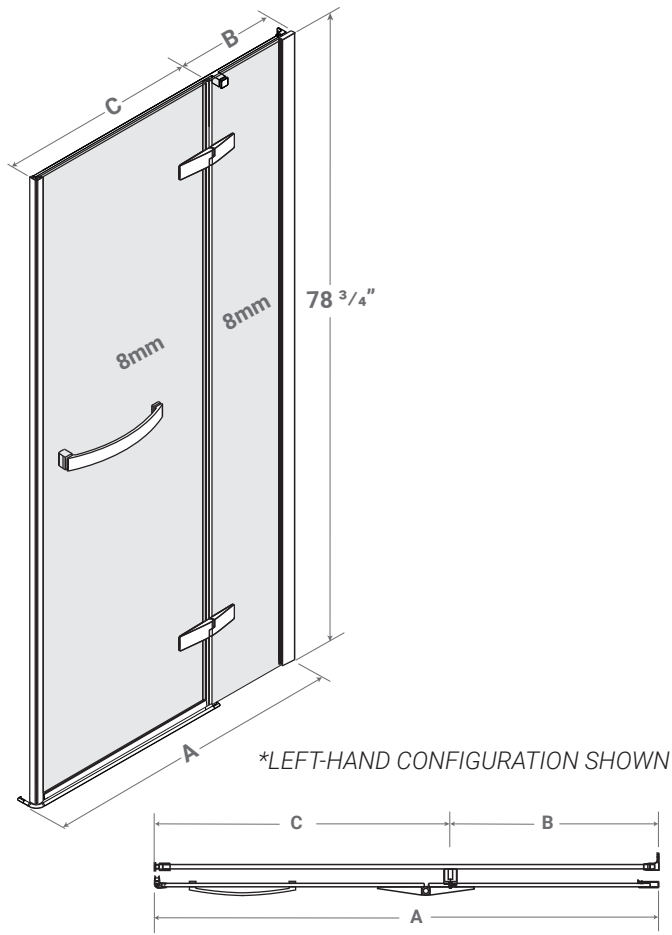
Single Threshold Hinged Door

Product Specifications

- Tempered glass with easy cleaning protective coating.
- Stainless steel (INOX) hardware for improved durability.
- Die-cast aluminum handle, with a polished chrome finish.
- Tempered 8mm door, side and return panels.
- Plated brass rising hinges for assisted closing.
- Body sprayer compatible.
- 1 Year limited manufacturer's warranty included.

Design Features

- Translucent full length seals.
- Easy adjustment door system.
- Semi-frameless design.
- Extra tall, 78 ¾" for increased entry height.



Nominal Base Size	A Finished Span	B Fixed Panel	C Door Panel	LH Door #	RH Door #
42"	39 3/4" - 40 1/8"	14"	23 5/8"	51603.S42LH	N/A
48"	45 3/4" - 46 1/8"	20"	23 5/8"	51603.S48LH	51606.S48RH
60"	57 3/4" - 58 1/8"	28"	27 1/2"	51613.S60LH	51616.S60RH
66"	63 3/4" - 64 1/8"	34"	27 1/2"	51613.S66LH	51616.S66RH

Acritec Industries Corp.

27049 Gloucester Way
Langley, B.C. V4W 3Y3

Tel: 604.607.0856

Fax: 604.607.0857

Email: info@acritec.com

Website: www.acritec.com

In keeping with our policy of continuing product improvement, Acritec Industries Corp. reserves the right to change product specifications without notice.

Important

*While we strive to provide accurate measurements for our customers, sometimes mistakes happen. Our goal is to help things run smoothly from shipment to installation, so if you notice any errors in our spec sheets, please let us know.

Our products are handmade & hand finished so you can expect a tolerance of $\pm 1/4"$ on all measurements. We strongly recommend waiting until your ordered product is on-site before attempting any rough-in carpentry or plumbing.

If you want to verify any of our measurements, please feel free to call or email us.

*Drawings are not to scale