



## Fiona

Product #44282

66" x 31 1/2" x 23 5/8" | Immersion Depth: 14 3/8"

### Product Specifications

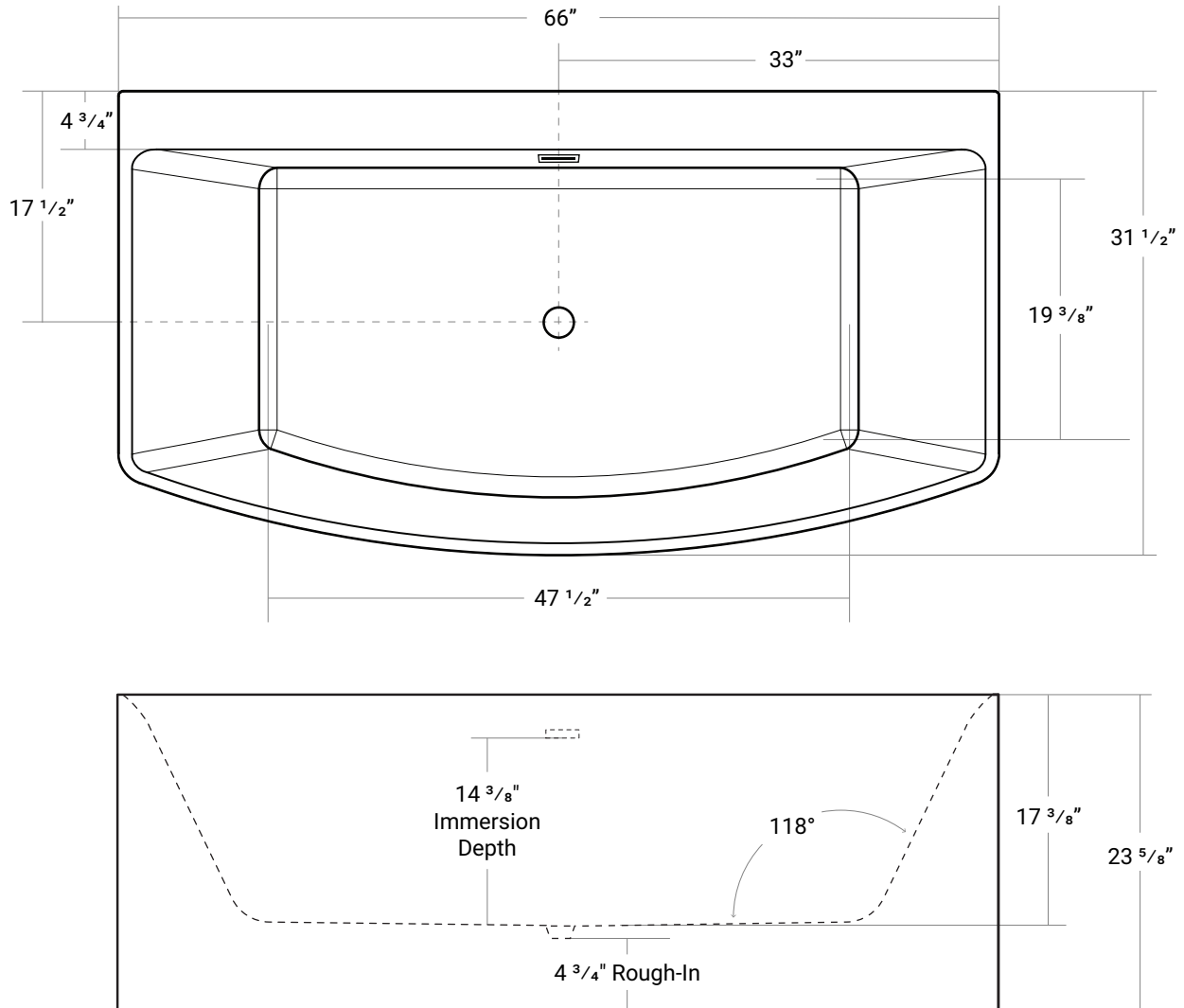
- 100% Acrylic with fiberglass reinforcement
- Bathtub is shipped with drain assembly not installed
- Integral steel frame
- Slotted overflow
- Drain hole: 2"
- Center drain
- Water capacity = Approx. 63 US Gallons
- 1 Year limited manufacturer's warranty included

### Design Features

- Seamless, 1-piece design
- Clicker style pop-up drain
- Deck mount compatible

### Available Upgrades

- Chromotherapy
- Lateral Air
- Roughin EZ
- 2 x Comfortwarm™
- Vibe Sound
- Aromatherapy



**Recommended: if the Semi- freestanding tub is going against the wall, the tub to be installed with the supplied tiling flange.**

**Acritec Industries Corp.**

27049 Gloucester Way  
Langley, B.C. V4W 3Y3

**Tel:** 604.607.0856

**Fax:** 604.607.0857

**Email:** info@acritec.com

**Website:** www.acritec.com

**Important**

\*While we strive to provide accurate measurements for our customers, sometimes mistakes happen. Our goal is to help things run smoothly from shipment to installation, so if you notice any errors in our spec sheets, please let us know.

Our products are handmade & hand finished so you can expect a tolerance of  $\pm 1/4"$  on all measurements. We strongly recommend waiting until your ordered product is on-site before attempting any rough-in carpentry or plumbing.

If you want to verify any of our measurements, please feel free to call or email us.

\*Drawings are not to scale

In keeping with our policy of continuing product improvement, Acritec Industries Corp. reserves the right to change product specifications without notice.

