



## Dixon 6032

Product # LH: 41243 | RH: 41244

59  $\frac{7}{8}$ " x 32" x 20  $\frac{1}{2}$ " | Immersion Depth: 13"

### Product Specifications

- 100% Acrylic with fiberglass & wood reinforcement
- Integral tiling flange
- Backrest angle: 120°
- Drain hole: 2"
- Above floor rough-in
- Weight: approx. 72 lbs
- Water capacity: approx. 48 US gallons
- Above floor rough-in

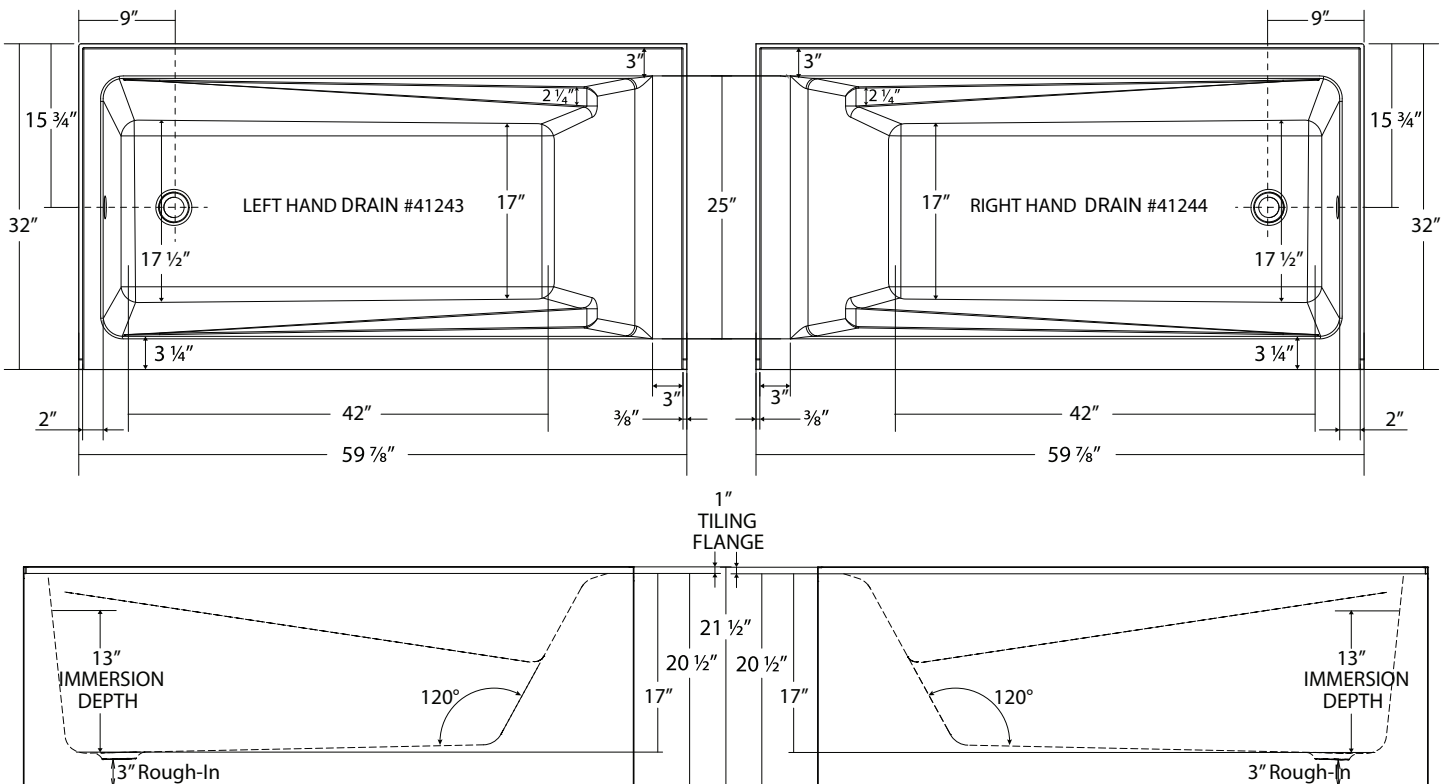
### Design Features

- Available in both left hand & right hand

### Available Upgrades

- Water and / or air jetting system
- Comfortwarm™ heated lumbar/backrest
- Removal of the apron
- Chromotherapy
- Vibe Sound
- Aromatherapy
- Wood apron
- Add a removable access panel for pump/blower access

**\*For any jetting combination, please contact customer service for clarification**



**Acritec Industries Corp.**

27049 Gloucester Way  
Langley, B.C. V4W 3Y3

**Tel:** 604.607.0856

**Fax:** 604.607.0857

**Email:** info@acritec.com

**Website:** www.acritec.com

In keeping with our policy of continuing product improvement, Acritec Industries Corp. reserves the right to change product specifications without notice.

**Important**

\*While we strive to provide accurate measurements for our customers, sometimes mistakes happen. Our goal is to help things run smoothly from shipment to installation, so if you notice any errors in our spec sheets, please let us know.

Our products are handmade & hand finished so you can expect a tolerance of  $\pm 1/4"$  on all measurements. We strongly recommend waiting until your ordered product is on-site before attempting any rough-in carpentry or plumbing.

If you want to verify any of our measurements, please feel free to call or email us.

\*Drawings are not to scale

