



## Verona 59

Product # 44472

59" x 31 1/2" x 22 7/8" | Immersion Depth: 14 1/4"

### Product Specifications

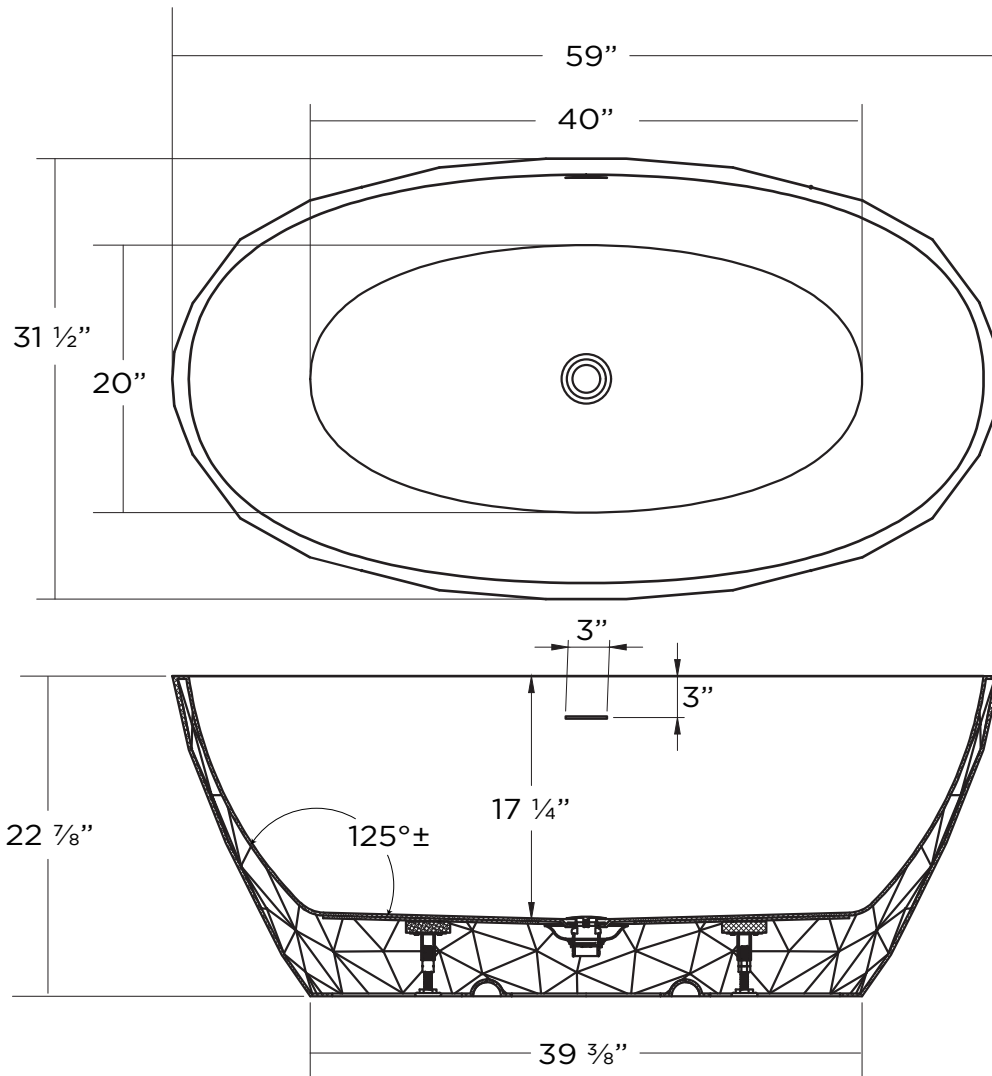
- Seamless, 1 piece acrylic soaker tub
- 100% Acrylic with fiberglass&steelreinforcement
- Bathtub is shipped with drain assembly not installed
- Leveling feet included
- Integral overflowchannel
- End drain
- Drain hole 2"
- Water capacity: approx 61 US gallons

### Available Upgrades

- Roughin EZ
- Vibe Sound II
- Chromatherapy
- Comfort Warm™
- Aromatherapy

**\* For all Freestanding Tubs, blowers can only be remotely located.**

**\* For information about available upgrades, please contact customer service.**



**Acritec Industries Corp.**

27049 Gloucester Way  
Langley, B.C. V4W 3Y3

**Tel:** 604.607.0856

**Fax:** 604.607.0857

**Email:** info@acritec.com

**Website:** www.acritec.com

In keeping with our policy of continuing product improvement, Acritec Industries Corp. reserves the right to change product specifications without notice.

**Important**

\*While we strive to provide accurate measurements for our customers, sometimes mistakes happen. Our goal is to help things run smoothly from shipment to installation, so if you notice any errors in our spec sheets, please let us know.

Our products are handmade & hand finished so you can expect a tolerance of  $\pm 1/4$ " on all measurements. We strongly recommend waiting until your ordered product is on-site before attempting any rough-in carpentry or plumbing.

If you want to verify any of our measurements, please feel free to call or email us.

\*Drawings are not to scale

