

Product Catalogue Index



Alcove Baths

Acrylic Baths.....5



Drop-In Baths

Corner Baths.....31
 Oval Baths44
 Rectangular Baths48



Clawfoot Baths

Acrylic Baths.....62
 Cast Iron Baths69



Freestanding

Acrylic Baths.....73
 Cast Iron Baths127
 Composite Baths.....130



Semi-Freestanding

Acrylic Baths.....138



Shower Bases

Single Threshold.....153
 Double Threshold.....165
 Corner.....170
 Receptors.....173
 Solid Surface.....174
 Composite.....175



7

Doors

Bath Door & Screen179
 Single Threshold Doors181
 Double Threshold Doors191
 Corner Doors198



8

Basins - Ceramic

Counter-Top203
 Drop-In215
 Undermount216
 Pure220



9

Sinks

Kitchen Drop-In224
 Kitchen Undermount229
 Utility / Laundry237



10

Faucets

Freestanding Bath240
 Wall & Deck Mount Bath244
 Kitchen245



11

Toilets

Elongated248
 Round Front249
 Square Front250
 Parts252



12

Aging In Place

Walk-In Baths256
 Shower Bases270

Part Number Guide

| Part #'s | Description |
|---------------|---|
| 00000 - 09999 | Various Accessories, Parts & Jetting / Spa Upgrades |
| 10000 - 19999 | Acrylic Kitchen & Laundry Sinks |
| 20000 - 29999 | Stainless Steel Kitchen & Laundry Sinks |
| 30000 - 30199 | Pure Composite Bathroom Basins |
| 31000 - 31199 | Toilets |
| 36000 - 36999 | Ceramic Bathroom Basins |
| 40000 - 41999 | Acrylic Alcove Baths |
| 42000 - 44259 | Acrylic Drop-In Baths |
| 44260 - 44499 | Acrylic Free-Standing Baths |
| 46500 - 46599 | Composite / Cast Iron Baths |
| 50000 - 59999 | Shower / Bath Doors |
| 60000 - 69999 | Shower Bases |
| 70000 - 72999 | Walk-In Baths, Barrier Free Shower Bases |
| 80000 - 89999 | Faucets |

Alcove Bath Quick Reference

Upgrades & Accessories

Upgrades

| | | | |
|-----------------------|------|---|----|
| Info..... | 4 | Alcove Bath Skirt Options..... | 10 |
| Upgrade options | 8 | Standard Lateral Air & HydroMassage System .. | 11 |
| Options..... | 9-10 | Linear Overflow and Drain for Clear Linear Series ... | 12 |

| 54" | Dimensions | LH Drain # | RH Drain # | MSRP | Page |
|--------------|-------------------------|------------|------------|---------|------|
| Clear 5430 | 53 7/8" x 30" x 20 3/4" | 41148 | 41149 | \$1,060 | 16 |
| Houdini 5430 | 53 7/8" x 30" x 21 3/4" | 41233 | 41234 | \$1,060 | 21 |

| 60" | Dimensions | LH Drain # | RH Drain # | MSRP | Page |
|----------------------|-------------------------|------------|------------|---------|------|
| Balla Skirted | 59 1/2" x 31 3/4" x 19" | 42343-SKT | | \$1,030 | 14 |
| Brockton 6034 | 59 7/8" x 34" x 21 3/4" | 41143 | 41144 | \$1,140 | 15 |
| Clear 6030 | 59 7/8" x 30" x 20 5/8" | 41151 | 41152 | \$910 | 16 |
| Clear Linear 6030 | 59 7/8" x 30" x 20 1/4" | 41151-L | 41152-L | \$1,370 | 17 |
| Clear 6030 16" Skirt | 59 7/8" x 30" x 16" | 41151-16 | 41152-16 | \$850 | 16 |
| Clear 6032 | 59 7/8" x 32" x 20 5/8" | 41161 | 41162 | \$930 | 16 |
| Clear Linear 6032 | 59 7/8" x 32" x 20 1/4" | 41161-L | 41162-L | \$1,380 | 17 |
| Clear 6032 16" Skirt | 59 7/8" x 32" x 16" | 41161-16 | 41162-16 | \$860 | 16 |
| Clear 6036 | 59 7/8" x 36" x 20 1/2" | 41167 | 41168 | \$1,350 | 16 |
| Dixton 6030 | 59 7/8" x 30" x 20 1/2" | 41241 | 41242 | \$850 | 18 |
| Dixton 6032 | 59 7/8" x 32" x 20 1/2" | 41243 | 41244 | \$880 | 18 |
| Elegance 6032 | 59 7/8" x 32" x 21 3/4" | 40710 | 40610 | \$850 | 19 |
| Generosa 6030 | 59 7/8" x 30" x 20 1/2" | 41451 | 41452 | \$1,010 | 20 |
| Generosa 6032 | 59 7/8" x 32" x 20 1/2" | 41453 | 41454 | \$1,020 | 20 |

Alcove Bath Quick Reference

| 60" | Dimensions | LH Drain # | RH Drain # | MSRP | Page |
|---------------------------|-------------------------|------------|------------|---------|------|
| Lady Denmark 6032 | 59 7/8" x 32" x 21 3/4" | 41271P | 41272P | \$1,020 | 23 |
| Robson 6030 | 59 7/8" x 30" x 20" | 41069 | 41070 | \$740 | 25 |
| Robson 6032 | 59 7/8" x 32" x 20" | 41066 | 41068 | \$750 | 25 |
| Robson Pure 6030 | 59 7/8" x 30" x 20" | 41075 | 41076 | \$780 | 26 |
| Robson Pure 6032 | 59 7/8" x 32" x 20" | 41077 | 41078 | \$790 | 26 |
| Simplicity Pure 6030 | 59 7/8" x 30" x 22 1/4" | 41389 | 41390 | \$1,020 | 27 |
| Simplicity Pure 6032 | 59 7/8" x 32" x 23 1/4" | 41399 | 41400 | \$1,030 | 27 |
| Victory 6028 (VB150A SKT) | 59 7/8" x 27 1/2" x 24" | 41131 | 41132 | \$1,272 | 28 |
| Vogue 6030 | 59 7/8" x 30" x 20" | 41441 | 41442 | \$860 | 29 |
| Vogue 6032 | 60" x 32" x 20" | 41443 | 41444 | \$870 | 29 |
| Woodward 6027 | 59 7/8" x 27" x 20" | 41481 | 41482 | \$1,310 | 30 |

| 66" | Dimensions | LH Drain # | RH Drain # | MSRP | Page |
|--------------------------|-------------------------|------------|------------|---------|------|
| Clear 6632 | 65 7/8" x 32" x 20 1/2" | 41163 | 41164 | \$1,830 | 16 |
| Dixton 6632 | 65 7/8" x 32" x 20 1/2" | 41245 | 41246 | \$1,830 | 18 |
| Lady Amsterdam Pure 6634 | 65 7/8" x 34" x 21 3/4" | 41251P | 41252P | \$1,180 | 22 |
| Simplicity Pure 6630 | 65 7/8" x 30" x 22" | 41404 | 41405 | \$1,680 | 27 |
| Simplicity Pure 6632 | 65 7/8" x 32" x 22" | 41414 | 41415 | \$1,700 | 27 |

| 72" | Dimensions | LH Drain # | RH Drain # | MSRP | Page |
|--------------------------|-------------------------|------------|------------|---------|------|
| Lady Rotterdam Pure 7234 | 71 7/8" x 34" x 21 3/4" | 41321P | 41322P | \$1,800 | 24 |
| Lady Rotterdam Pure 7236 | 71 7/8" x 36" x 21 3/4" | 41291P | 41292P | \$1,850 | 24 |
| Simplicity Pure 7232 | 71 7/8" x 32" x 22" | 41425 | 41426 | \$1,540 | 27 |
| Simplicity Pure 7234 | 71 7/8" x 33 7/8" x 22" | 41435 | 41436 | \$1,680 | 21 |



Alcove Bath Upgrades

Chromatherapy

Immerse yourself in a sea of light created by a dual mini-light Chromatherapy system. Bathers can choose between red, orange, yellow, green, blue, turquoise, and magenta, or cycle through a range of 9 blended colours. Combine Chromatherapy with a massage system to create a total spa experience.

Lateral Air

16 jets mounted around the perimeter of the bathing well infuse the water with a soothing stream of massaging bubbles. A ceramic heating core preheats the air as a 600-Watt Panasonic™ blower delivers a steady stream of warm air bubbles to the bather. Use the variable speed control pad to vary the intensity of the massage to your mood.

Enjoy peace of mind in knowing that all blowers are preprogrammed with an auto-drying cycle to clean and dry the system after every use.

HydroMassage

The hydromassage is the most vigorous of all available jet upgrades, featuring a $\frac{3}{4}$ hp high efficiency pump. Bath water circulates through 6 or more adjustable jets to deliver targeted massaging action with variable levels of intensity. Upgrade this massage system by adding additional jets or adding an in-line heater to help maintain your bath's water temperature.

ComfortWarm™

ComfortWarm™ uses radiant heat technology to directly heat the surface of the bathtub's backrest. Use the three heat settings to adjust the heat intensity at any time with a simple press of the electronic touchpad.

VIBE Sound

The Vibe System allows you to enjoy your music or radio at the touch of a button in your shower or bathtub. The vibes of the music are synchronized with a Chromatherapy system that will change colors in synch with every beat of your favorite music.

Aromatherapy

Only a few drops of fragrance are needed. The system works using a pump which leads the air towards the receptacle which is filled with a combination of water and a few essential oil drops. Once the aromatherapy system is turned on, the diffuser spreads the natural scent of the essential oil into the ambient air.



Alcove Bath Upgrade Compatibility

| Products | Lateral Air | HydroMassage | Chromatherapy | ComfortWarm™ | VIBE Sound | Aromatherapy |
|---------------------------|-------------|--------------|---------------|--------------|------------|--------------|
| Brockton | + | + | + | + | I or II | + |
| Clear | + | + | + | + | I or II | + |
| Dixton | + | + | + | + | I or II | + |
| Elegance | + | + | + | + | I or II | + |
| Generosa | + | + | + | + | I or II | + |
| Houdini | + | + | + | + | I or II | + |
| Lady Amsterdam Pure | + | + | + | + | I or II | + |
| Lady Denmark Pure | + | + | + | + | I or II | + |
| Lady Rotterdam Pure | + | + | + | + | I or II | + |
| Robson | + | + | + | + | I or II | + |
| Robson Pure | + | + | + | + | I or II | + |
| Simplicity Pure | + | + | + | + | I or II | + |
| Victory 6028 (VB150A SKT) | + | + | + | + | I or II | + |
| Woodward | + | + | + | + | I or II | + |

*VIBE Sound I = Keypad, VIBE Sound II = Remote Control

Please note, for putting together multiple upgrades contact Acritec Customer Service at customerservice@acritec.com.

Clicker Waste & Overflow Kit

Polished Chrome

Part # MSRP

01064 \$120

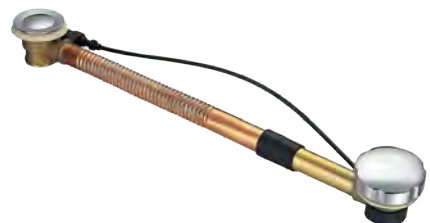


Cable driven Mechanical Waste & Overflow Kit

Polished Chrome

Part # MSRP

01090 \$120





Alcove Bath Upgrade Options

| Lateral Air | Part # | MSRP |
|---|--------|---------|
| 16 Jet Air System | | |
| - White | 00021 | \$2,150 |
| - Brushed Nickel | 00023 | \$2,430 |
| - Polished Chrome | 00024 | \$2,300 |
| - Remote control for air blower | 00133 | \$480 |
| - Remote Location kit for air blower (12' extra cable & hose) | 00131 | \$330 |
| Variable Air Blower (Replacement) | 00180 | \$770 |



| HydroMassage | Part # | MSRP |
|--------------------------------------|--------|---------|
| 6 Jet HydroMassage System | | |
| - White | 00101 | \$1,390 |
| - Polished Chrome | 00104 | \$1,280 |
| 8 Jet HydroMassage System | | |
| - White | 00111 | \$1,460 |
| - Polished Chrome | 00114 | \$1,400 |
| Add 1x HydroMassage Jet | | |
| - White | 00151 | \$150 |
| - Polished Chrome | 00154 | \$190 |
| Inline HydroMassage Heater | 00171 | \$470 |
| 110V 3/4HP Pump (Replacement) | 00260 | \$590 |
| Sound Deadening Pump Pad | 00160 | \$50 |



| | | |
|--------------------------|--------------|--------------|
| Custom Jet System | 00155 | \$250 |
|--------------------------|--------------|--------------|

| Chromatherapy Lights | Part # | MSRP |
|----------------------|--------|-------|
| 2 x White Finish | 01020 | \$580 |
| 2 x Chrome Finish | 01021 | \$580 |



| ComfortWarm™ | Part # | MSRP |
|---|----------|---------|
| 1x ComfortWarm™ Heated Backrest (70W) | 01040-01 | \$1,020 |
| 2x ComfortWarm™ Heated Backrests (2x35W) | 01040-02 | \$1,260 |



Alcove Bath Upgrade Options

| VIBE Sound System | | MSRP |
|---|-------|-------------|
| VIBE I + Chromatherapy Lights | | |
| 2x Speakers + 2x Chromatherapy Lights (White Finish) + Advanced Keypad | 01022 | \$1,970 |
| 2x Speakers + 2x Chromatherapy Lights (Chrome Finish) + Advanced Keypad | 01023 | \$1,970 |
| VIBE II + Chromatherapy Lights (For Most Freestanding Tubs) | | |
| 2x Speakers + 2x Chromatherapy Lights (White Finish) + Remote Control | 01024 | \$2,450 |
| 2x Speakers + 2x Chromatherapy Lights (Chrome Finish) + Remote Control | 01025 | \$2,450 |
| Aromatherapy System | | MSRP |
| Diffuser System + Keypad | 01030 | \$500 |



Alcove Bath Skirt Compatibility

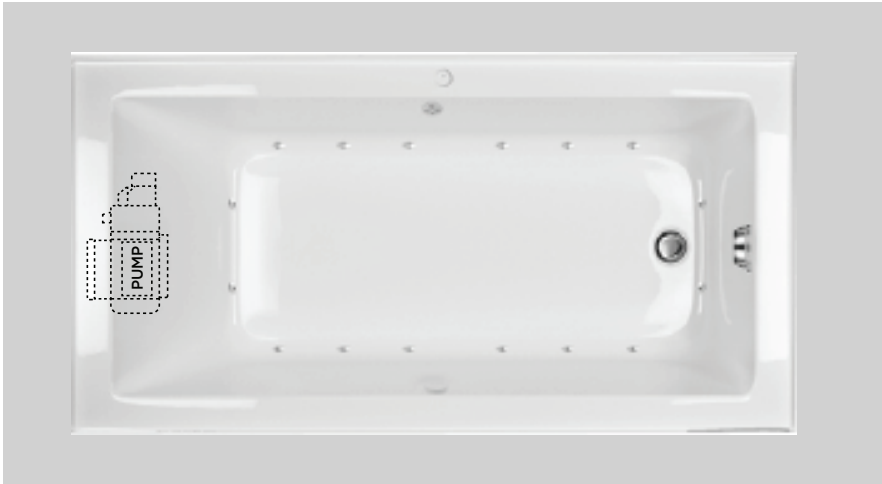
| Products | Access Panel for Jetted Tub | Skirt Cut Off | *Wood Skirt standard 1/2" Backset (Including Skirt Removal) |
|---------------------------|------------------------------------|----------------------|--|
| | | | |
| Part Number | 41990 | 02000 | 02010 |
| Balla Skirted | + | + | + |
| Brockton | + | + | + |
| Clear | + | + | + |
| Clear Linear | + | + | + |
| Dixton | + | + | + |
| Elegance | + | + | + |
| Generosa | + | + | + |
| Houdini | + | + | + |
| Lady Amsterdam Pure | + | + | + |
| Lady Denmark Pure | + | + | + |
| Lady Rotterdam Pure | + | + | + |
| Robson | + | + | + |
| Robson Pure | + | + | + |
| Simplicity Pure | + | + | + |
| Victory 6028 (VB150A SKT) | + | + | + |
| Woodward | + | + | + |

* 3/4" and 1" backsets are also available. Please specify when ordering.

* n/a = not available



Standard Lateral Air and HydroMassage System for Alcove Bath



Lateral Air System

16 Jet Air System



HydroMassage System

6 Jet Hydromassage



HydroMassage System

8 Jet Hydromassage

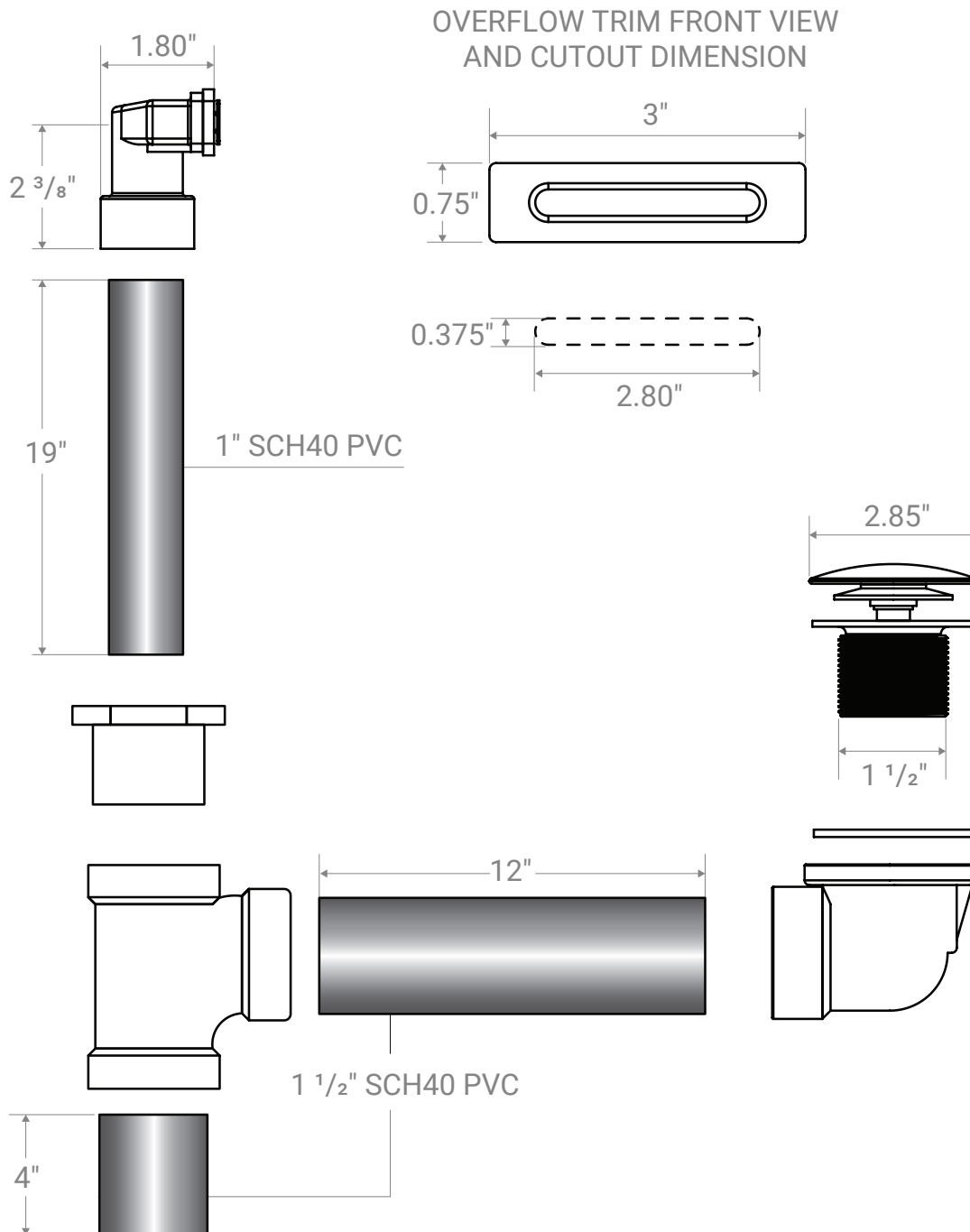


Linear Overflow and Drain for Alcove tubs

| | | |
|----------------|-------|-------|
| Chrome | 01065 | \$230 |
| Brushed Nickel | 01066 | \$330 |
| Matte Black | 01067 | \$330 |

Design Features

- Can be installed for alcove tubs
- Kit includes linear overflow plate cover & clicker drain





Bath Pillows



08010

Pillow | Contoured | Compatible with all Acritec baths

Dimensions

11 7/8" x 4 3/8"

Colour

Black

MSRP - \$100



08012

Pillow | Premium | Compatible with all Acritec baths

Dimensions

11 1/2" x 6 1/2"

Colour

Black

MSRP - \$140



08014

Pillow | Contoured | For baths with rounded backrests

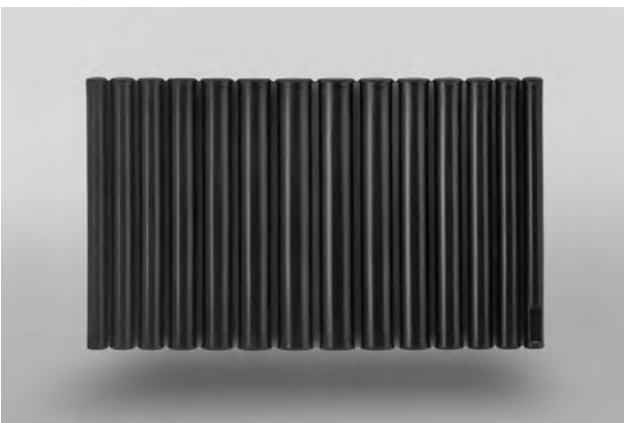
Dimensions

11 1/2" x 3 1/8"

Colour

Black

MSRP - \$120



08016

Pillow | Premium | Compatible with all Acritec baths

Dimensions

15 3/4" x 10 1/4"

Colour

Black

MSRP - \$270

Balla Skirted

NEW

ACRYLIC

ALCOVE

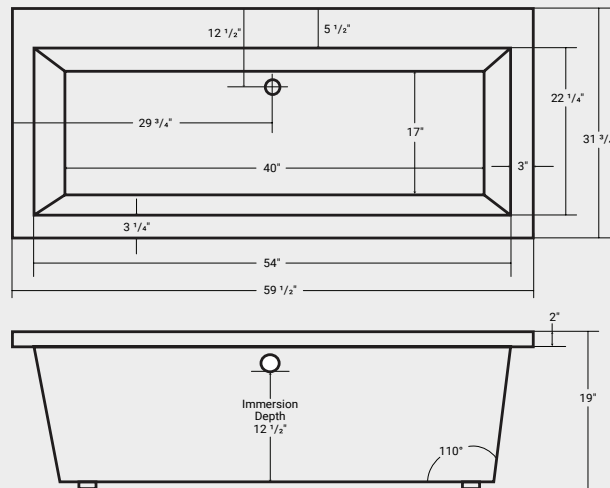


Part # **List Price**
 42343 - SKT \$1,030

Dimensions:
 59 1/2" x 31 3/4" x 19"

Immersion Depth:
 12 1/2"

Capacity
 48 US gallons



Jetting Option

16 Jet Air System

- White - **00021**.....\$2,150
- Brushed Nickel - **00023**.....\$2,430
- Polished Chrome - **00024**.....\$2,300

8 Jet HydroMassage System

- White - **00111**.....\$1,460
- Polished Chrome - **00114**.....\$1,400

Inline Heater - 00171 \$470

Custom Jetting - 00155 \$250

Access Panel - 41990 \$330

Upgrades

- Wood Apron - **02010**.....\$400
- Apron Removal - **02000**.....\$270

Chromatherapy

- White - **01020**.....\$580
- Polished Chrome - **01021**.....\$580

Comfort Warm™

- Single - **01040-01**.....\$1,020
- Dual - **01040-02**.....\$1,260

Aromatherapy

- Aromatherapy - **01030**.....\$500

Vibe Sound System - See Page - 10

Linear Overflow Kits

- Chrome - **01065**.....\$230
- Brushed Nickel - **01066**.....\$330
- Matte Black - **01067**.....\$330

Waste & Overflow Kit

- Clicker - **01064**.....\$120
- Cable - **01090**.....\$120





Brockton 6034

ACRYLIC



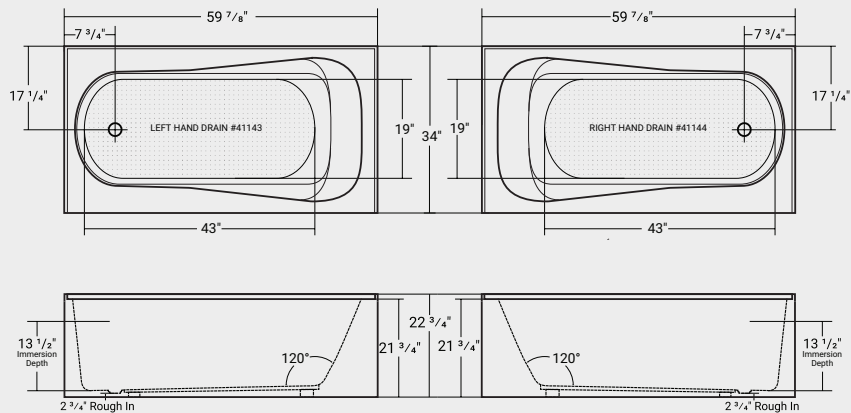
ALCOVE

| Part # | List Price |
|---------------|------------|
| Left - 41143 | \$1,140 |
| Right - 41144 | \$1,140 |

Dimensions:
59 7/8" x 34" x 21 3/4"

Immersion Depth:
13 1/2"

Capacity
41 US gallons



***Linear overflow available!

Jetting Option

16 Jet Air System

- White - **00021**.....\$2,150
- Brushed Nickel - **00023**.....\$2,430
- Polished Chrome - **00024**.....\$2,300

8 Jet HydroMassage System

- White - **00111**.....\$1,460
- Polished Chrome - **00114**.....\$1,400

Inline Heater - 00171.....\$470

Custom Jetting - 00155.....\$250

Access Panel - 41990.....\$330

Upgrades

- Wood Apron - **02010**.....\$400
- Apron Removal - **02000**.....\$270

Chromatherapy

- White - **01020**.....\$580
- Polished Chrome - **01021**.....\$580

Comfort Warm™

- Single - **01040-01**.....\$1,020
- Dual - **01040-02**.....\$1,260

Aromatherapy

- Aromatherapy - **01030**.....\$500

Vibe Sound System - See Page - 10

Linear Overflow Kits

- Chrome - **01065**.....\$230
- Brushed Nickel - **01066**.....\$330
- Matte Black - **01067**.....\$330

Waste & Overflow Kit

- Clicker - **01064**.....\$120
- Cable - **01090**.....\$120

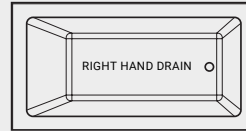
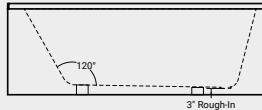
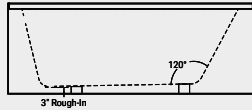




Clear

ACRYLIC

ALCOVE



| Name | LH # | RH # | Dimensions | Skirt Height | Immersion Depth | Capacity | Backrest Angle | MSRP |
|---------|----------|----------|---------------|--------------|-----------------|-----------|----------------|---------|
| 5430 | 41148 | 41149 | 53 7/8" x 30" | 20 3/4" | 12 1/2" | 40 US Gal | 120° | \$1,060 |
| 6030 | 41151 | 41152 | 59 7/8" x 30" | 20 5/8" | 12 1/2" | 45 US Gal | 120° | \$910 |
| 6032 | 41161 | 41162 | 59 7/8" x 32" | 20 5/8" | 12 1/2" | 54 US Gal | 120° | \$930 |
| 6030-16 | 41151-16 | 41152-16 | 59 7/8" x 30" | 16" | 11 1/2" | 35 US Gal | 120° | \$850 |
| 6032-16 | 41161-16 | 41162-16 | 59 7/8" x 32" | 16" | 11 1/2" | 40 US Gal | 120° | \$860 |
| 6036 | 41167 | 41168 | 59 7/8" x 36" | 20 1/2" | 12 1/2" | 60 US Gal | 120° | \$1,350 |
| 6632 | 41163 | 41164 | 65 7/8" x 32" | 20 1/2" | 12 1/2" | 62 US Gal | 116° | \$1,830 |

Jetting Option

16 Jet Air System

- White - **00021** \$2,150
- Brushed Nickel - **00023** \$2,430
- Polished Chrome - **00024** \$2,300

8 Jet HydroMassage System

- White - **00111** \$1,460
- Polished Chrome - **00114** \$1,400

Inline Heater - **00171** \$470

Custom Jetting - **00155** \$250

Access Panel - **41990** \$330

Upgrades

- Wood Apron - **02010** \$400
- Apron Removal - **02000** \$270

Chromatherapy

- White - **01020** \$580
- Polished Chrome - **01021** \$580

Comfort Warm™

- Single - **01040-01** \$1,020
- Dual - **01040-02** \$1,260

Aromatherapy

- Aromatherapy - **01030** \$500

Vibe Sound System - See Page - 10

Linear Overflow Kits

- Chrome - **01065** \$230
- Brushed Nickel - **01066** \$330
- Matte Black - **01067** \$330

Waste & Overflow Kit

- Clicker - **01064** \$120
- Cable - **01090** \$120



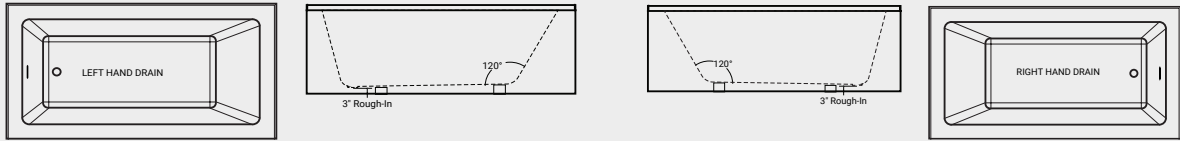


Clear Linear

ACRYLIC



ALCOVE



| Name | LH # | RH # | Dimensions | Skirt Height | Immersion Depth | Capacity | Backrest Angle | MSRP |
|------|---------|---------|---------------|--------------|-----------------|-----------|----------------|---------|
| 6030 | 41151-L | 41152-L | 59 7/8" x 30" | 20 1/4" | 13 1/2" | 45 US Gal | 120° | \$1,370 |
| 6032 | 41161-L | 41162-L | 59 7/8" x 32" | 20 1/4" | 13 1/2" | 54 US Gal | 120° | \$1,380 |

Jetting Option

- 16 Jet Air System**
 - White - **00021**.....\$2,150
 - Brushed Nickel - **00023**.....\$2,430
 - Polished Chrome - **00024**.....\$2,300
- 8 Jet HydroMassage System**
 - White - **00111**.....\$1,460
 - Polished Chrome - **00114**.....\$1,400
- Inline Heater - 00171** \$470
- Custom Jetting - 00155** \$250
- Access Panel - 41990**\$330

Upgrades

- Wood Apron - **02010**.....\$400
- Apron Removal - **02000**.....\$270
- Chromatherapy**
 - White - **01020**.....\$580
 - Polished Chrome - **01021**.....\$580
- Comfort Warm™**
 - Single - **01040-01**.....\$1,020
 - Dual - **01040-02**.....\$1,260
- Aromatherapy**
 - Aromatherapy - **01030**.....\$500
- Vibe Sound System - See Page - 10**

Linear Overflow Kits

- Chrome - **01065**.....\$230
- Brushed Nickel - **01066**.....\$330
- Matte Black - **01067**.....\$330
- Waste & Overflow Kit**
 - Clicker - **01064**.....\$120
 - Cable - **01090**.....\$120

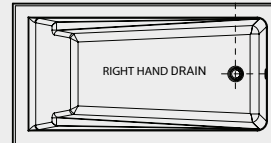
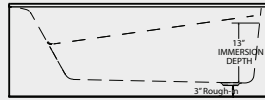
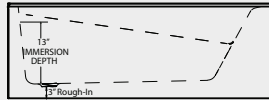
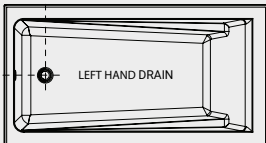
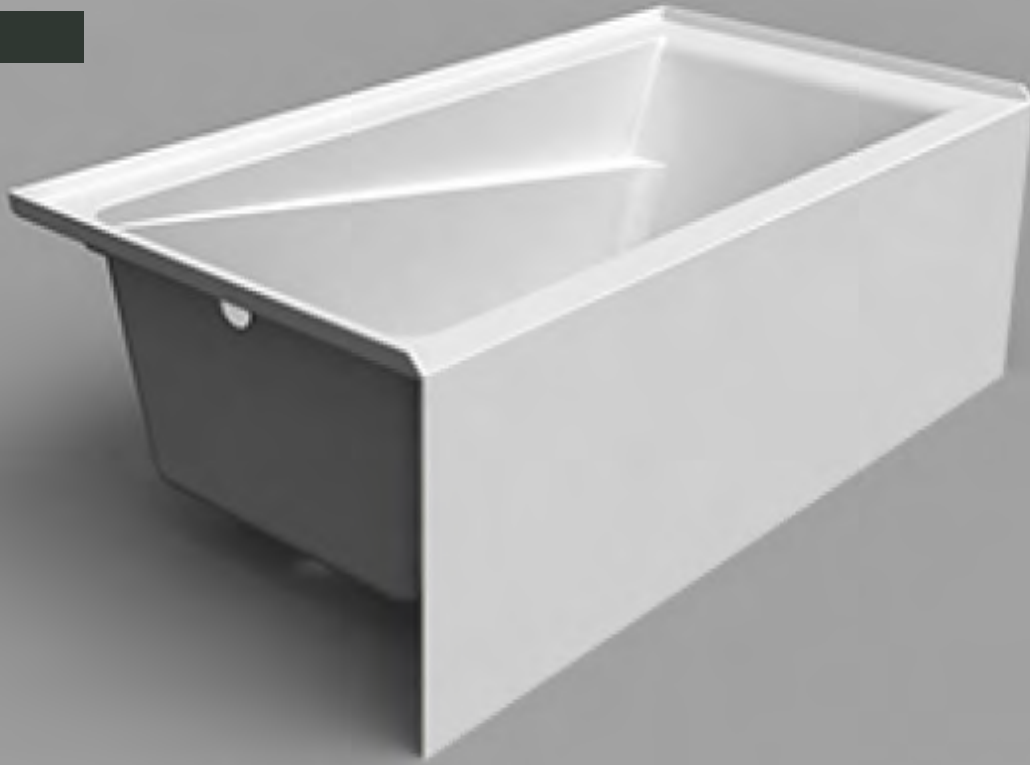




Dixton

ACRYLIC

ALCOVE



| Name | LH # | RH # | Dimensions | Skirt Height | Immersion Depth | Approx. Capacity | Backrest Angle | MSRP |
|------|-------|-------|---------------|--------------|-----------------|------------------|----------------|---------|
| 6030 | 41241 | 41242 | 59 7/8" x 30" | 20 1/2" | 13" | 45 US Gal | 120° | \$850 |
| 6032 | 41243 | 41244 | 59 7/8" x 32" | 20 1/2" | 13" | 48 US Gal | 120° | \$880 |
| 6632 | 41245 | 41246 | 65 7/8" x 32" | 20 1/2" | 13" | 53 US Gal | 120° | \$1,830 |

Jetting Option

16 Jet Air System

- White - **00021**.....\$2,150
- Brushed Nickel - **00023**.....\$2,430
- Polished Chrome - **00024**.....\$2,300

8 Jet HydroMassage System

- White - **00111**.....\$1,460
- Polished Chrome - **00114**.....\$1,400

Inline Heater - 00171 \$470

Custom Jetting - 00155 \$250

Access Panel - 41990 \$330

Upgrades

- Wood Apron - **02010**.....\$400
- Apron Removal - **02000**.....\$270

Chromatherapy

- White - **01020**.....\$580
- Polished Chrome - **01021**.....\$580

Comfort Warm™

- Single - **01040-01**.....\$1,020
- Dual - **01040-02**.....\$1,260

Aromatherapy

- Aromatherapy - **01030**.....\$500

Vibe Sound System - See Page - 10

Linear Overflow Kits

- Chrome - **01065**.....\$230
- Brushed Nickel - **01066**.....\$330
- Matte Black - **01067**.....\$330

Waste & Overflow Kit

- Clicker - **01064**.....\$120
- Cable - **01090**.....\$120





Elegance

ACRYLIC



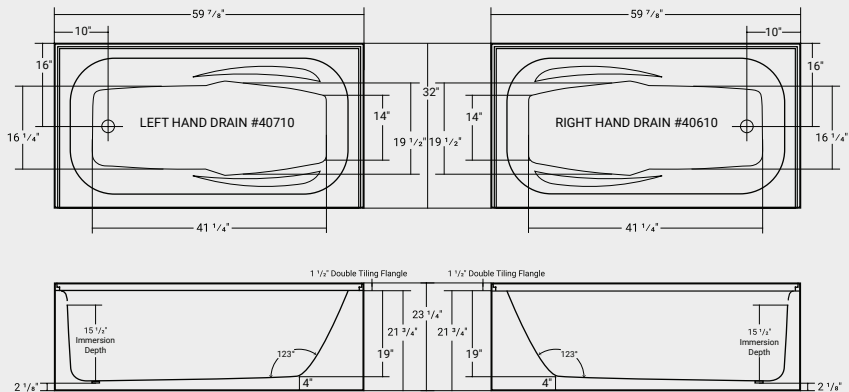
ALCOVE

| Part # | List Price |
|---------------|------------|
| Left - 40710 | \$850 |
| Right - 40610 | \$850 |

Dimensions:
59 7/8" x 32" x 21 3/4"

Immersion Depth:
15 1/2"

Capacity
44 US gallons



***Linear overflow available!

Jetting Option

16 Jet Air System

- White - **00021**.....\$2,150
- Brushed Nickel - **00023**.....\$2,430
- Polished Chrome - **00024**.....\$2,300

8 Jet HydroMassage System

- White - **00111**.....\$1,460
- Polished Chrome - **00114**.....\$1,400

Inline Heater - 00171 \$470

Custom Jetting - 00155 \$250

Access Panel - 41990\$330

Upgrades

- Wood Apron - **02010**.....\$400
- Apron Removal - **02000**.....\$270

Chromatherapy

- White - **01020**.....\$580
- Polished Chrome - **01021**.....\$580

Comfort Warm™

- Single - **01040-01**.....\$1,020
- Dual - **01040-02**.....\$1,260

Aromatherapy

- Aromatherapy - **01030**.....\$500

Vibe Sound System - See Page - 10

Linear Overflow Kits

- Chrome - **01065**.....\$230
- Brushed Nickel - **01066**.....\$330
- Matte Black - **01067**.....\$330

Waste & Overflow Kit

- Clicker - **01064**.....\$120
- Cable - **01090**.....\$120



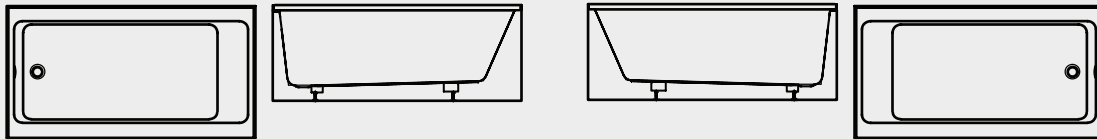
Generosa

ACRYLIC

NEW



ALCOVE



| Name | LH # | RH # | Dimensions | Skirt Height | Immersion Depth | Approx. Capacity | Backrest Angle | MSRP |
|------|-------|-------|---------------|--------------|-----------------|------------------|----------------|---------|
| 6030 | 41451 | 41452 | 59 7/8" x 30" | 22" | 13 1/2" | 60,2 US Gallons | 115° | \$1,010 |
| 6032 | 41453 | 41454 | 59 7/8" x 32" | 22" | 13 1/2" | 65,5 US Gallons | 115° | \$1,020 |

Jetting Option

16 Jet Air System

- White - **00021**.....\$2,150
- Brushed Nickel - **00023**.....\$2,430
- Polished Chrome - **00024**.....\$2,300

8 Jet HydroMassage System

- White - **00111**.....\$1,460
- Polished Chrome - **00114**.....\$1,400

Inline Heater - 00171 \$470

Custom Jetting - 00155 \$250

Access Panel - 41990 \$330

Upgrades

- Wood Apron - **02010**.....\$400
- Apron Removal - **02000**.....\$270

Chromatherapy

- White - **01020**.....\$580
- Polished Chrome - **01021**.....\$580

Comfort Warm™

- Single - **01040-01**.....\$1,020
- Dual - **01040-02**.....\$1,260

Aromatherapy

- Aromatherapy - **01030**.....\$500

Vibe Sound System - See Page - 10

Linear Overflow Kits

- Chrome - **01065**.....\$230
- Brushed Nickel - **01066**.....\$330
- Matte Black - **01067**.....\$330

Waste & Overflow Kit

- Clicker - **01064**.....\$120
- Cable - **01090**.....\$120





Houdini 5430

ACRYLIC



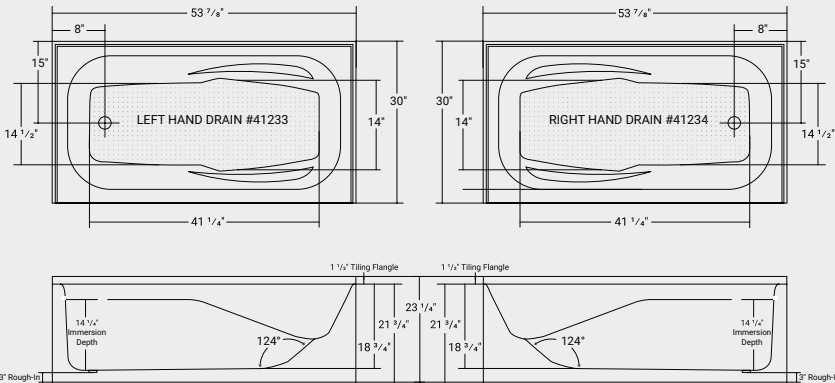
ALCOVE

| Part # | List Price |
|---------------|------------|
| Left - 41233 | \$1,060 |
| Right - 41234 | \$1,060 |

Dimensions:
53 7/8" x 30" x 21 3/4"

Immersion Depth:
14 1/4"

Capacity
36 US gallons



***Linear overflow available!

Jetting Option

16 Jet Air System

- White - **00021**.....\$2,150
- Brushed Nickel - **00023**.....\$2,430
- Polished Chrome - **00024**.....\$2,300

8 Jet HydroMassage System

- White - **00111**.....\$1,460
- Polished Chrome - **00114**.....\$1,400

Inline Heater - 00171

\$470

Custom Jetting - 00155

\$250

Access Panel - 41990

\$330

Upgrades

- Wood Apron - **02010**.....\$400
- Apron Removal - **02000**.....\$270

Chromatherapy

- White - **01020**.....\$580
- Polished Chrome - **01021**.....\$580

Comfort Warm™

- Single - **01040-01**.....\$1,020
- Dual - **01040-02**.....\$1,260

Aromatherapy

- Aromatherapy - **01030**.....\$500

Vibe Sound System - See Page - 10

Linear Overflow Kits

- Chrome - **01065**.....\$230
- Brushed Nickel - **01066**.....\$330
- Matte Black - **01067**.....\$330

Waste & Overflow Kit

- Clicker - **01064**.....\$120
- Cable - **01090**.....\$120





Lady Amsterdam Pure 6634

ACRYLIC



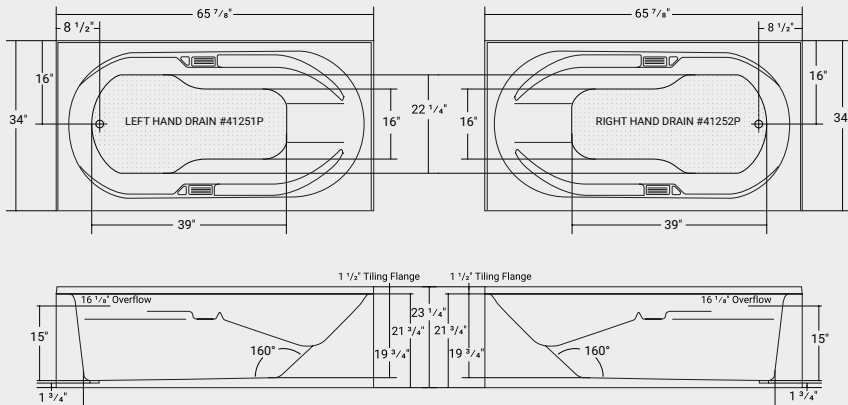
ALCOVE

| Part # | List Price |
|----------------|------------|
| Left - 41251P | \$1,180 |
| Right - 41252P | \$1,180 |

Dimensions:
65 7/8" x 34" x 21 3/4"

Immersion Depth:
15"

Capacity
51 US gallons



***Linear overflow available!

Jetting Option

16 Jet Air System

- White - **00021**.....\$2,150
- Brushed Nickel - **00023**.....\$2,430
- Polished Chrome - **00024**.....\$2,300

8 Jet HydroMassage System

- White - **00111**.....\$1,460
- Polished Chrome - **00114**.....\$1,400

Inline Heater - 00171.....\$470

Custom Jetting - 00155.....\$250

Access Panel - 41990.....\$330

Upgrades

- Wood Apron - **02010**.....\$400
- Apron Removal - **02000**.....\$270

Chromatherapy

- White - **01020**.....\$580
- Polished Chrome - **01021**.....\$580

Comfort Warm™

- Single - **01040-01**.....\$1,020
- Dual - **01040-02**.....\$1,260

Aromatherapy

- Aromatherapy - **01030**.....\$500

Vibe Sound System - See Page - 10

Linear Overflow Kits

- Chrome - **01065**.....\$230
- Brushed Nickel - **01066**.....\$330
- Matte Black - **01067**.....\$330

Waste & Overflow Kit

- Clicker - **01064**.....\$120
- Cable - **01090**.....\$120





Lady Denmark Pure 6032

ACRYLIC



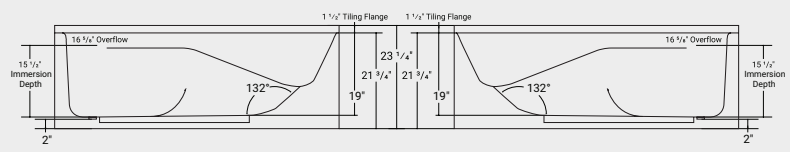
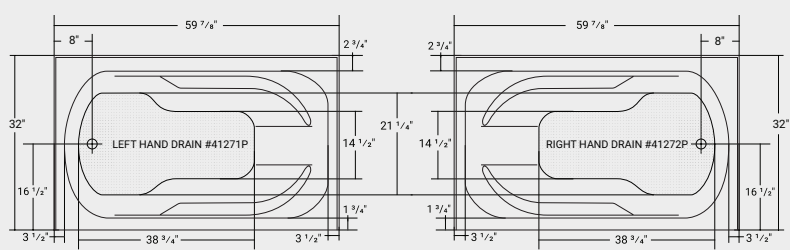
ALCOVE

| Part # | List Price |
|----------------|------------|
| Left - 41271P | \$1,020 |
| Right - 41272P | \$1,020 |

Dimensions:
59 7/8" x 32" x 21 3/4"

Immersion Depth:
15 1/2"

Capacity
45 US gallons



*****Linear overflow available!**

| Jetting Option | |
|----------------------------------|---------|
| 16 Jet Air System | |
| - White - 00021 | \$2,150 |
| - Brushed Nickel - 00023 | \$2,430 |
| - Polished Chrome - 00024 | \$2,300 |
| 8 Jet HydroMassage System | |
| - White - 00111 | \$1,460 |
| - Polished Chrome - 00114 | \$1,400 |
| Inline Heater - 00171 | \$470 |
| Custom Jetting - 00155 | \$250 |
| Access Panel - 41990 | \$330 |

| Upgrades | |
|--|---------|
| - Wood Apron - 02010 | \$400 |
| - Apron Removal - 02000 | \$270 |
| Chromatherapy | |
| - White - 01020 | \$580 |
| - Polished Chrome - 01021 | \$580 |
| Comfort Warm™ | |
| - Single - 01040-01 | \$1,020 |
| - Dual - 01040-02 | \$1,260 |
| Aromatherapy | |
| - Aromatherapy - 01030 | \$500 |
| Vibe Sound System - See Page - 10 | |

| Linear Overflow Kits | |
|---------------------------------|-------|
| - Chrome - 01065 | \$230 |
| - Brushed Nickel - 01066 | \$330 |
| - Matte Black - 01067 | \$330 |
| Waste & Overflow Kit | |
| - Clicker - 01064 | \$120 |
| - Cable - 01090 | \$120 |



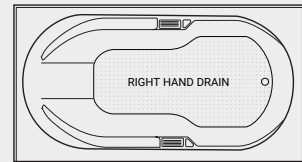
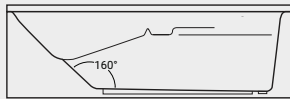
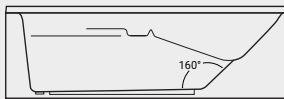
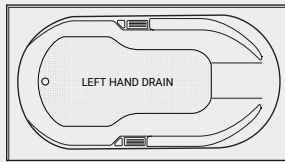


Lady Rotterdam Pure

ACRYLIC



ALCOVE



***Linear overflow available!

| Name | LH # | RH # | Dimensions | Skirt Height | Immersion Depth | Capacity | Backrest Angle | MSRP |
|------|--------|--------|---------------|--------------|-----------------|-----------|----------------|---------|
| 7234 | 41321P | 41322P | 71 7/8" x 34" | 21 3/4" | 15 1/2" | 57 US Gal | 160° | \$1,800 |
| 7236 | 41291P | 41292P | 71 7/8" x 36" | 21 3/4" | 15 1/2" | 60 US Gal | 160° | \$1,850 |

Jetting Option

16 Jet Air System

- White - **00021**.....\$2,150
- Brushed Nickel - **00023**.....\$2,430
- Polished Chrome - **00024**.....\$2,300

8 Jet HydroMassage System

- White - **00111**.....\$1,460
- Polished Chrome - **00114**.....\$1,400

Inline Heater - **00171**.....\$470

Custom Jetting - **00155**.....\$250

Access Panel - **41990**.....\$330

Upgrades

- Wood Apron - **02010**.....\$400
- Apron Removal - **02000**.....\$270

Chromatherapy

- White - **01020**.....\$580
- Polished Chrome - **01021**.....\$580

Comfort Warm™

- Single - **01040-01**.....\$1,020
- Dual - **01040-02**.....\$1,260

Aromatherapy

- Aromatherapy - **01030**.....\$500

Vibe Sound System - See Page - 10

Linear Overflow Kits

- Chrome - **01065**.....\$230
- Brushed Nickel - **01066**.....\$330
- Matte Black - **01067**.....\$330

Waste & Overflow Kit

- Clicker - **01064**.....\$120
- Cable - **01090**.....\$120



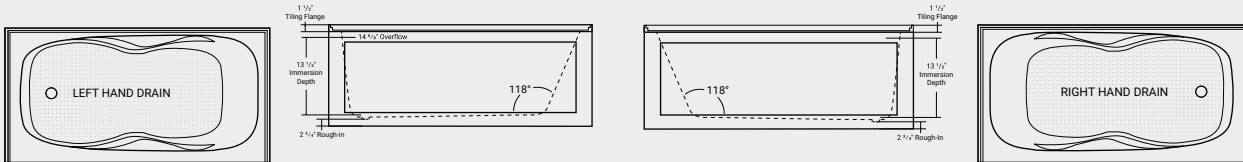


Robson

ACRYLIC



ALCOVE



| Name | LH # | RH # | Dimensions | Skirt Height | Immersion Depth | Capacity | Backrest Angle | MSRP |
|------|-------|-------|---------------|--------------|-----------------|-----------|----------------|-------|
| 6030 | 41069 | 41070 | 59 7/8" x 30" | 20" | 13 1/2" | 41 US Gal | 118° | \$740 |
| 6032 | 41066 | 41068 | 59 7/8" x 32" | 20" | 13 1/2" | 41 US Gal | 118° | \$750 |

Jetting Option

16 Jet Air System

- White - **00021**.....\$2,150
- Brushed Nickel - **00023**.....\$2,430
- Polished Chrome - **00024**.....\$2,300

8 Jet HydroMassage System

- White - **00111**.....\$1,460
- Polished Chrome - **00114**.....\$1,400

Inline Heater - 00171

\$470

Custom Jetting - 00155

\$250

Access Panel - 41990

\$330

Upgrades

- Wood Apron - **02010**.....\$400
- Apron Removal - **02000**.....\$270

Chromatherapy

- White - **01020**.....\$580
- Polished Chrome - **01021**.....\$580

Comfort Warm™

- Single - **01040-01**.....\$1,020
- Dual - **01040-02**.....\$1,260

Aromatherapy

- Aromatherapy - **01030**.....\$500

Vibe Sound System - See Page - 10

Linear Overflow Kits

- Chrome - **01065**.....\$230
- Brushed Nickel - **01066**.....\$330
- Matte Black - **01067**.....\$330

Waste & Overflow Kit

- Clicker - **01064**.....\$120
- Cable - **01090**.....\$120

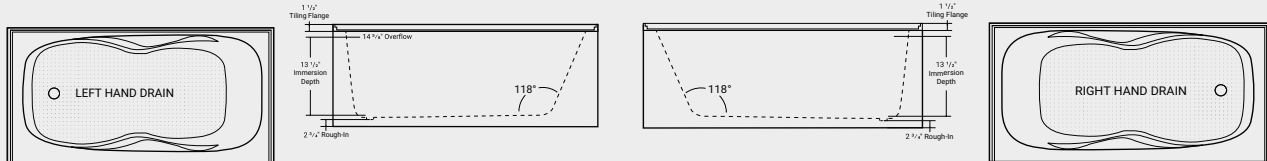




Robson Pure

ACRYLIC

ALCOVE



*****Linear overflow available!**

| Name | LH # | RH # | Dimensions | Skirt Height | Immersion Depth | Capacity | Backrest Angle | MSRP |
|------|-------|-------|---------------|--------------|-----------------|-----------|----------------|-------|
| 6030 | 41075 | 41076 | 59 7/8" x 30" | 20" | 13 1/2" | 37 US Gal | 118° | \$780 |
| 6032 | 41077 | 41078 | 59 7/8" x 32" | 20" | 13 1/2" | 37 US Gal | 118° | \$790 |

Jetting Option

16 Jet Air System

- White - **00021**.....\$2,150
- Brushed Nickel - **00023**.....\$2,430
- Polished Chrome - **00024**.....\$2,300

8 Jet HydroMassage System

- White - **00111**.....\$1,460
- Polished Chrome - **00114**.....\$1,400

Inline Heater - 00171 \$470

Custom Jetting - 00155 \$250

Access Panel - 41990\$330

Upgrades

- Wood Apron - **02010**.....\$400
- Apron Removal - **02000**.....\$270

Chromatherapy

- White - **01020**.....\$580
- Polished Chrome - **01021**.....\$580

Comfort Warm™

- Single - **01040-01**.....\$1,020
- Dual - **01040-02**.....\$1,260

Aromatherapy

- Aromatherapy - **01030**.....\$500

Vibe Sound System - See Page - 10

Linear Overflow Kits

- Chrome - **01065**.....\$230
- Brushed Nickel - **01066**.....\$330
- Matte Black - **01067**.....\$330

Waste & Overflow Kit

- Clicker - **01064**.....\$120
- Cable - **01090**.....\$120



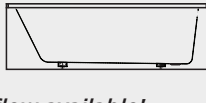
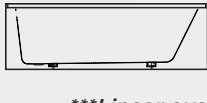


Simplicity Pure

ACRYLIC



ALCOVE



***Linear overflow available!

| Name | LH # | RH # | Dimensions | Skirt Height | Immersion Depth | Capacity | Backrest Angle | MSRP |
|------|-------|-------|-------------------|--------------|-----------------|-----------|----------------|---------|
| 6030 | 41389 | 41390 | 59 7/8" x 30" | 22 1/4" | 14 3/4" | 53 US Gal | 118°±2 | \$1,020 |
| 6032 | 41399 | 41400 | 59 7/8" x 31 7/8" | 23 1/4" | 15 3/4" | 55 US Gal | 110°±2 | \$1,030 |
| 6630 | 41404 | 41405 | 65 7/8" x 30" | 22" | 16" | 63 US Gal | 117°±2 | \$1,680 |
| 6632 | 41414 | 41415 | 65 7/8" x 32" | 22" | 16" | 63 US Gal | 118°±2 | \$1,700 |
| 7232 | 41425 | 41426 | 71 7/8" x 32" | 22" | 14 1/2" | 73 US Gal | 121°±2 | \$1,540 |
| 7234 | 41435 | 41436 | 71 7/8" x 33 7/8" | 22" | 14 1/2" | 73 US Gal | 121°±2 | \$1,680 |

Jetting Option

16 Jet Air System

- White - **00021**.....\$2,150
- Brushed Nickel - **00023**.....\$2,430
- Polished Chrome - **00024**.....\$2,300

8 Jet HydroMassage System

- White - **00111**.....\$1,460
- Polished Chrome - **00114**.....\$1,400

Inline Heater - 00171 \$470

Custom Jetting - 00155 \$250

Access Panel - 41990 \$330

Upgrades

- Wood Apron - **02010**.....\$400
- Apron Removal - **02000**.....\$270

Chromatherapy

- White - **01020**.....\$580
- Polished Chrome - **01021**.....\$580

Comfort Warm™

- Single - **01040-01**.....\$1,020
- Dual - **01040-02**.....\$1,260

Aromatherapy

- Aromatherapy - **01030**.....\$500

Vibe Sound System - See Page - 10

Linear Overflow Kits

- Chrome - **01065**.....\$230
- Brushed Nickel - **01066**.....\$330
- Matte Black - **01067**.....\$330

Waste & Overflow Kit

- Clicker - **01064**.....\$120
- Cable - **01090**.....\$120





Victory 6028 (VB150A SKT)

ACRYLIC



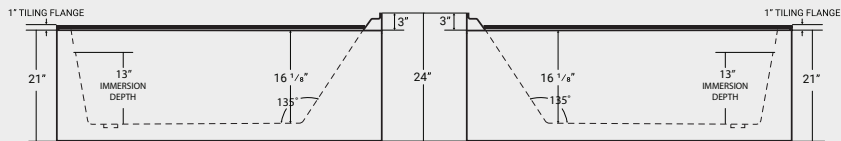
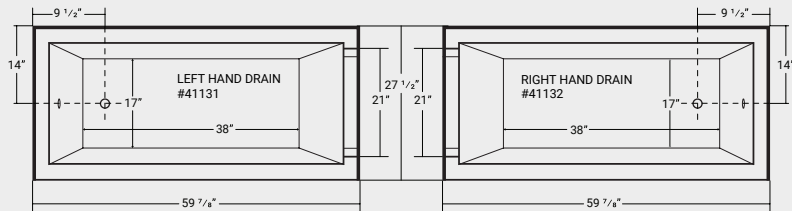
ALCOVE

| Part # | List Price |
|---------------|------------|
| Left - 41131 | \$1,272 |
| Right - 41132 | \$1,272 |

Dimensions:
59 7/8" x 27 1/2" x 21"

Immersion Depth:
13"

Capacity
40 US gallons



***Linear overflow available!

Jetting Option

16 Jet Air System

- White - **00021**.....\$2,150
- Brushed Nickel - **00023**.....\$2,430
- Polished Chrome - **00024**.....\$2,300

8 Jet HydroMassage System

- White - **00111**.....\$1,460
- Polished Chrome - **00114**.....\$1,400

Inline Heater - 00171.....\$470

Custom Jetting - 00155.....\$250

Access Panel - 41990.....\$330

Upgrades

- Wood Apron - **02010**.....\$400
- Apron Removal - **02000**.....\$270

Chromatherapy

- White - **01020**.....\$580
- Polished Chrome - **01021**.....\$580

Comfort Warm™

- Single - **01040-01**.....\$1,020
- Dual - **01040-02**.....\$1,260

Aromatherapy

- Aromatherapy - **01030**.....\$500

Vibe Sound System - See Page - 10

Linear Overflow Kits

- Chrome - **01065**.....\$230
- Brushed Nickel - **01066**.....\$330
- Matte Black - **01067**.....\$330

Waste & Overflow Kit

- Clicker - **01064**.....\$120
- Cable - **01090**.....\$120



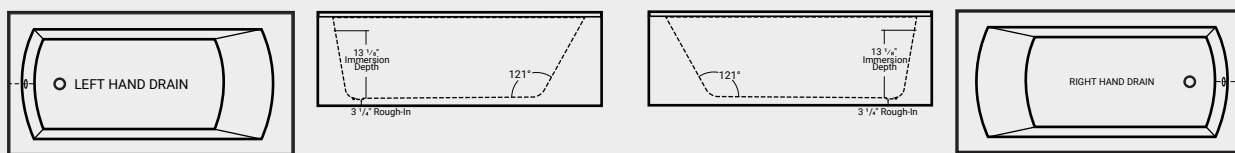


Vogue

ACRYLIC



ALCOVE



| Name | LH # | RH # | Dimensions | Skirt Height | Immersion Depth | Capacity | Backrest Angle | MSRP |
|------|-------|-------|------------|--------------|-----------------|-----------|----------------|-------|
| 6030 | 41441 | 41442 | 60" x 30" | 20" | 13 1/8" | 45 US Gal | 121° | \$860 |
| 6032 | 41443 | 41444 | 60" x 32" | 20" | 13 1/8" | 47 US Gal | 121° | \$870 |

Jetting Option

16 Jet Air System

- White - **00021**.....\$2,150
- Brushed Nickel - **00023**.....\$2,430
- Polished Chrome - **00024**.....\$2,300

8 Jet HydroMassage System

- White - **00111**.....\$1,460
- Polished Chrome - **00114**.....\$1,400

Inline Heater - 00171

\$470

Custom Jetting - 00155

\$250

Access Panel - 41990

\$330

Upgrades

- Wood Apron - **02010**.....\$400
- Apron Removal - **02000**.....\$270

Chromatherapy

- White - **01020**.....\$580
- Polished Chrome - **01021**.....\$580

Comfort Warm™

- Single - **01040-01**.....\$1,020
- Dual - **01040-02**.....\$1,260

Aromatherapy

- Aromatherapy - **01030**.....\$500

Vibe Sound System - See Page - 10

Linear Overflow Kits

- Chrome - **01065**.....\$230
- Brushed Nickel - **01066**.....\$330
- Matte Black - **01067**.....\$330

Waste & Overflow Kit

- Clicker - **01064**.....\$120
- Cable - **01090**.....\$120



Woodward 6027

ACRYLIC



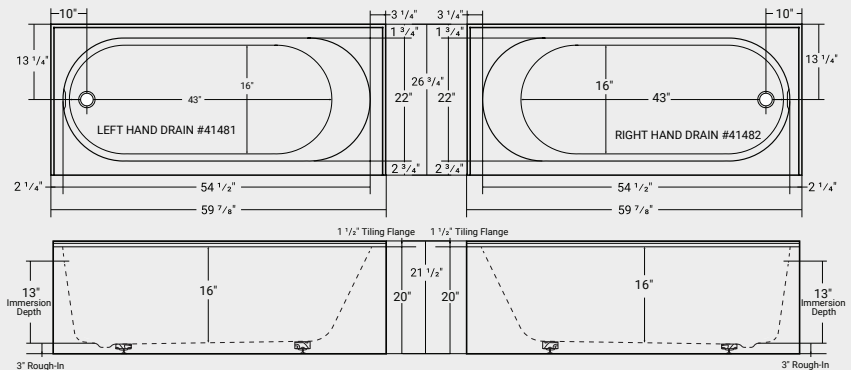
ALCOVE

| Part # | List Price |
|---------------|------------|
| Left - 41481 | \$1,310 |
| Right - 41482 | \$1,310 |

Dimensions:
59 7/8" x 26 3/4" x 20"

Immersion Depth:
13"

Capacity
35 US gallons



***Linear overflow available!

Jetting Option

16 Jet Air System

- White - **00021** \$2,150
- Brushed Nickel - **00023** \$2,430
- Polished Chrome - **00024** \$2,300

8 Jet HydroMassage System

- White - **00111** \$1,460
- Polished Chrome - **00114** \$1,400

Inline Heater - 00171 \$470

Custom Jetting - 00155 \$250

Access Panel - 41990 \$330

Upgrades

- Wood Apron - **02010** \$400
- Apron Removal - **02000** \$270

Chromatherapy

- White - **01020** \$580
- Polished Chrome - **01021** \$580

Comfort Warm™

- Single - **01040-01** \$1,020
- Dual - **01040-02** \$1,260

Aromatherapy

- Aromatherapy - **01030** \$500

Vibe Sound System - See Page - 10

Linear Overflow Kits

- Chrome - **01065** \$230
- Brushed Nickel - **01066** \$330
- Matte Black - **01067** \$330

Waste & Overflow Kit

- Clicker - **01064** \$120
- Cable - **01090** \$120





Drop-In Bath Quick Reference

Upgrades & Accessories

Upgrades

| | Page |
|---------------------|------|
| Info | 32 |
| Compatibility | 34 |
| Options | 35 |

Accessories

| | Page |
|------------------------------------|------|
| Info | 36 |
| Standard Lateral Air System..... | 37 |
| Standard HydroMassage System | 38 |

Corner Baths

| Products | Dimensions | Item No. | MSRP | Page |
|------------|---------------------|----------|---------|------|
| Boudoir LH | 60" x 42" x 21" | 42041 | \$1,274 | 40 |
| Boudoir RH | 60" x 42" x 21" | 42042 | \$1,274 | 40 |
| Contessa | 60" x 60" x 22 1/2" | 42081 | \$1,344 | 41 |
| Goddess 60 | 60" x 60" x 19 1/2" | 42121 | \$1,650 | 42 |
| Tissot | 54" x 54" x 19 5/8" | 42133 | \$1,280 | 43 |

Oval Baths

| Products | Dimensions | Item No. | MSRP | Page |
|------------|-------------------------|----------|---------|------|
| Casablanca | 62" x 35" x 21" | 42231 | \$1,360 | 44 |
| JF180A | 72" x 34 5/8" x 17 1/2" | 44161 | \$1,180 | 45 |
| Marrakesh | 68" x 35" x 21" | 42251 | \$1,360 | 46 |
| Tiffany | 55" x 39 1/2" x 31 7/8" | 44355 | \$1,720 | 47 |



Drop-In Bath Quick Reference

Rectangular Baths

| Products | Dimensions | Item No. | MSRP | Page |
|--------------------|-----------------------------|----------|---------|------|
| Amsterdam | 65 3/4" x 35 1/2" x 20 7/8" | 42331 | \$1,000 | 48 |
| Aura | 65 3/4" x 31 1/2" x 20" | 42333 | \$1,240 | 49 |
| Balla 60 | 59 1/2" x 31 3/4" x 19" | 42343 | \$1,230 | 50 |
| Balla 66 | 65 1/2" x 31 1/2" x 19" | 42344 | \$1,340 | 50 |
| Balla 72 | 71 1/4" x 35 1/2" x 18 1/4" | 42345 | \$1,580 | 50 |
| Charles | 65 7/8" x 41 7/8" x 24 1/2" | 45212 | \$1,970 | 51 |
| Denmark | 60" x 35 7/8" x 20" | 42354 | \$1,220 | 52 |
| Freya Therapeutica | 72" x 47 1/2" x 24 1/2" | 42371 | \$2,830 | 53 |
| Heritage | 72" x 42" x 22" | 42381 | \$1,820 | 54 |
| Kobe | 65" x 31 3/4" x 21 1/2" | 42391-1 | \$1,370 | 55 |
| | | 42391-2 | \$1,370 | 55 |
| Kyoto | 59 1/2" x 32 1/4" x 21 1/4" | 42421-1 | \$1,220 | 56 |
| | | 42421-2 | \$1,220 | 56 |
| Lounge | 65 1/4" x 32" x 21 3/4" | 44225 | \$1,490 | 57 |
| Rotterdam | 71" x 35 1/2" x 21" | 42461 | \$1,160 | 58 |
| Stanley | 60" x 32" x 20" | 42471 | \$660 | 59 |
| Vincent 59 | 59" x 29 1/2" x 18 7/8" | 44216 | \$780 | 60 |
| Vincent 67 | 67" x 31 1/2" x 18 7/8" | 44218 | \$1,160 | 60 |
| William | 71" x 35" x 25 1/2" | 45211 | \$2,460 | 61 |



Drop-In Bath Upgrades

Chromatherapy

Immerse yourself in a sea of light created by a dual mini-light Chromatherapy system. Bathers can choose between red, orange, yellow, green, blue, turquoise, and magenta, or cycle through a range of 9 blended colours. Combine Chromatherapy with a massage system to create a total spa experience.

Lateral Air

16 jets mounted around the perimeter of the bathing well infuse the water with a soothing stream of massaging bubbles. A ceramic heating core preheats the air as a 600-Watt Panasonic™ blower delivers a steady stream of warm air bubbles to the bather. Use the variable speed control pad to vary the intensity of the massage to your mood.

Enjoy peace of mind in knowing that all blowers are preprogrammed with an auto-drying cycle to clean and dry the system after every use.

HydroMassage

The hydromassage is the most vigorous of all available upgrades, featuring a $\frac{3}{4}$ hp high efficiency pump. Bath water circulates through 6 or more adjustable jets to deliver targeted massaging action with variable levels of intensity. Upgrade this massage system by adding additional jets or adding an in-line heater to help maintain your bath's water temperature.

ComfortWarm™

ComfortWarm™ uses radiant heat technology to directly heat the surface of the bathtub's backrest. Use the three heat settings to adjust the heat intensity at any time with a simple press of the electronic touchpad.

VIBE Sound

The Vibe System allows you to enjoy your music or radio at the touch of a button in your shower or bathtub. The vibes of the music are synchronized with a Chromatherapy system that will change colors in synch with every beat of your favorite music.

Aromatherapy

Only a few drops of fragrance are needed. The system works using a pump which leads the air towards the receptacle which is filled with a combination of water and a few essential oil drops. Once the aromatherapy system is turned on, the diffuser spreads the natural scent of the essential oil into the ambient air.



Drop-In Bath Upgrade Compatibility

| Products | Chromatherapy | LateralAir | HydroMassage | ComfortWarm™ | VIBE Sound | Aromatherapy |
|-----------------------|---------------|------------|--------------|--------------|------------|--------------|
| Amsterdam | + | + | + | + | I or II | + |
| Aura | + | + | + | + | I or II | + |
| Balla 60/66/72 | + | + | + | x2 | I or II | + |
| Boudoir | + | + | + | + | I or II | + |
| Casablanca | + | + | + | + | I or II | + |
| Contessa | + | + | + | x2 | I or II | + |
| Denmark | + | + | + | + | I or II | + |
| Freya Therapeutica | + | + | + | x2 | I or II | + |
| Goddess 60 | + | + | + | x2 | I or II | + |
| Heritage | + | + | + | x2 | I or II | + |
| JF180A | + | + | + | x2 | I or II | + |
| Kobe | + | + | + | + | I or II | + |
| Kyoto | + | + | + | + | I or II | + |
| Lounge | + | + | + | + | I or II | + |
| Marrakesh | + | + | + | + | I or II | + |
| Rotterdam | + | + | + | + | I or II | + |
| Stanley | + | + | + | + | I or II | + |
| Tiffany | + | + | + | + | I or II | + |
| Tissot | + | + | + | x2 | I or II | + |
| Vincent 59/67 | + | + | + | + | I or II | + |
| William | + | + | + | + | I or II | + |

* n/a = not available

* + = available

*VIBE Sound I = Keypad, VIBE Sound II = Remote Control

Please note for putting together multiple upgrades contact Acritec Customer Service at customerservice@acritec.com.



Drop-in Bath Upgrade Options

| Lateral Air | Part # | MSRP |
|---|--------|---------|
| 16 Jet Air System | | |
| - White | 00021 | \$2,150 |
| - Brushed Nickel | 00023 | \$2,430 |
| - Polished Chrome | 00024 | \$2,300 |
| - Remote control for air blower | 00133 | \$480 |
| - Remote Location kit for air blower (12' extra cable & hose) | 00131 | \$330 |
| Variable Air Blower (Replacement) | 00180 | \$770 |



| HydroMassage | Part # | MSRP |
|--------------------------------------|--------|---------|
| 6 Jet HydroMassage System | | |
| - White | 00101 | \$1,390 |
| - Polished Chrome | 00104 | \$1,280 |
| 8 Jet HydroMassage System | | |
| - White | 00111 | \$1,460 |
| - Polished Chrome | 00114 | \$1,400 |
| Add 1x HydroMassage Jet | | |
| - White | 00151 | \$150 |
| - Polished Chrome | 00154 | \$190 |
| Inline HydroMassage Heater | 00171 | \$470 |
| 110V 3/4HP Pump (Replacement) | 00260 | \$590 |
| Sound Deadening Pump Pad | 00160 | \$50 |



| | | |
|--------------------------|--------------|--------------|
| Custom Jet System | 00155 | \$250 |
|--------------------------|--------------|--------------|

| Chromatherapy Lights | Part # | MSRP |
|----------------------|--------|-------|
| 2 x White Finish | 01020 | \$580 |
| 2 x Chrome Finish | 01021 | \$580 |



| ComfortWarm™ | Part # | MSRP |
|---|----------|---------|
| 1x ComfortWarm™ Heated Backrest (70W) | 01040-01 | \$1,020 |
| 2x ComfortWarm™ Heated Backrests (2x35W) | 01040-02 | \$1,260 |



Drop-In Bath Upgrade Options

| VIBE Sound System | | MSRP |
|---|-------|-------------|
| VIBE I + Chromatherapy Lights | | |
| 2x Speakers + 2x Chromatherapy Lights (White Finish) + Advanced Keypad | 01022 | \$1,970 |
| 2x Speakers + 2x Chromatherapy Lights (Chrome Finish) + Advanced Keypad | 01023 | \$1,970 |
| VIBE II + Chromatherapy Lights (For Most Freestanding Tubs) | | |
| 2x Speakers + 2x Chromatherapy Lights (White Finish) + Remote Control | 01024 | \$2,450 |
| 2x Speakers + 2x Chromatherapy Lights (Chrome Finish) + Remote Control | 01025 | \$2,450 |
| Aromatherapy System | | MSRP |
| Diffuser System + Keypad | 01030 | \$500 |



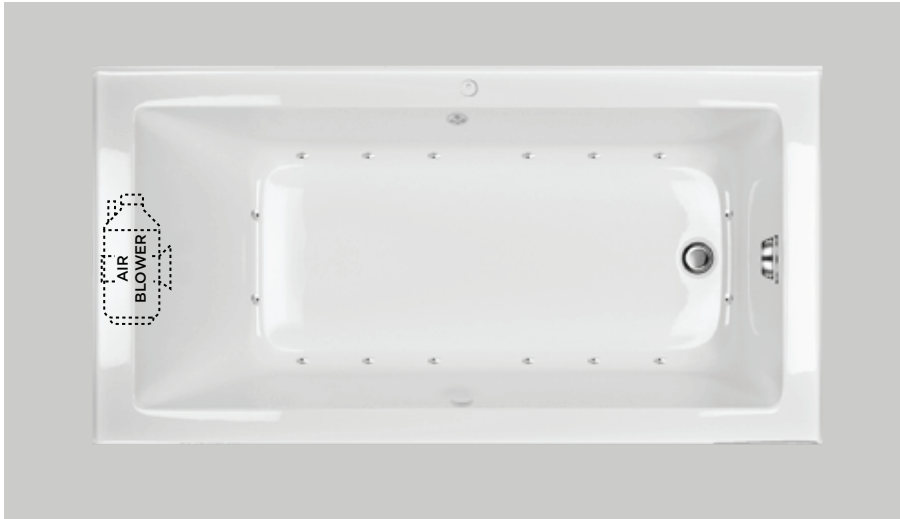
Drop-In Bath Accessories

| Accessories | Part # | MSRP |
|---|-------------|-------|
| Grab Bar - 6" (Installed) | | |
| - Clear / Gold Inserts | 01002 | \$240 |
| - White | 01003 | \$100 |
| Grab Bar - 10" (Installed) | | |
| - Chrome | 01004 | \$240 |
| 144" Plastic Tiling Flange (Supply Only) | 02040 | \$90 |
| 144" Plastic Tiling Flange (Flange Factory Installed) | 02040.02050 | \$310 |
| 64" Plastic Tiling Flange (Supply Only) | 02041 | \$70 |
| 64" Plastic Tiling Flange (Flange Factory Installed) | 02041.02050 | \$310 |
| 78" Aluminum Tiling Flange (Supply Only) | 02042 | \$100 |
| 78' Aluminum Tiling Flange (Flange Factory Installed) | 02042.02050 | \$330 |
| Clicker Waste & Overflow Kit | | |
| Polished Chrome | 01064 | \$120 |
| Cable driven Mechanical Waste & Overflow Kit | | |
| Polished Chrome | 01090 | \$120 |





Standard Lateral Air System for Drop-In Bath



Rectangular End Drain

16 Jet Air System



Rectangular Middle Drain

16 Jet Air System



Corner

16 Jet Air System



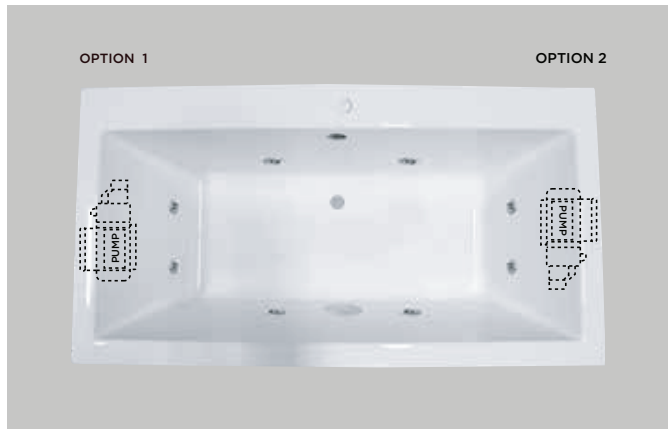
Standard HydroMassage System for Drop-In Bath

6 Jet HydroMassage System

8 Jet HydroMassage System



Rectangular End Drain



Rectangular Middle Drain



Corner



Bath Pillows



08010

Pillow | Contoured | Compatible with all Acritec baths

Dimensions

11 7/8" x 4 3/8"

Colour

Black

MSRP - \$100



08012

Pillow | Premium | Compatible with all Acritec baths

Dimensions

11 1/2" x 6 1/2"

Colour

Black

MSRP - \$140



08014

Pillow | Contoured | For baths with rounded backrests

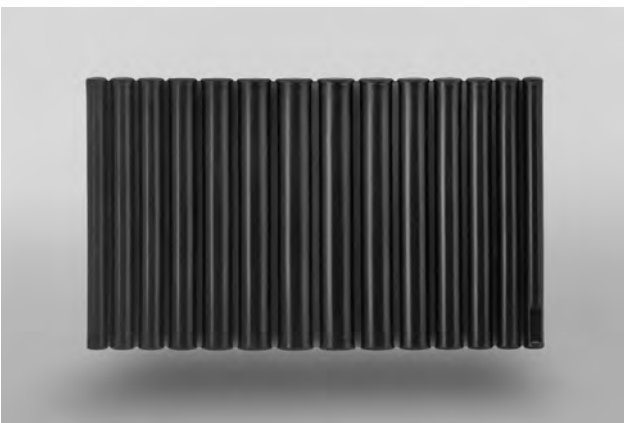
Dimensions

11 1/2" x 3 1/8"

Colour

Black

MSRP - \$120



08016

Pillow | Premium | Compatible with all Acritec baths

Dimensions

15 3/4" x 10 1/4"

Colour

Black

MSRP - \$270



Boudoir

ACRYLIC

DROP-IN

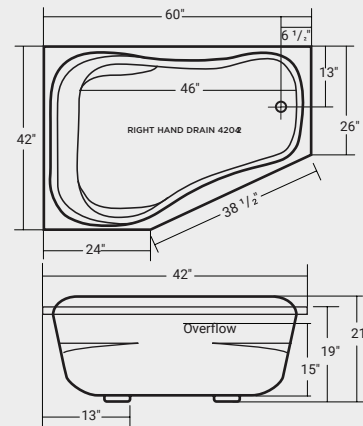
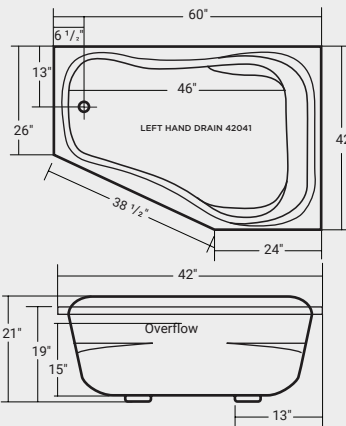


| Part # | List Price |
|---------------|------------|
| Left - 42041 | \$1,274 |
| Right - 42042 | \$1,274 |

Dimensions:
60" x 42" x 21"

Immersion Depth:
14 1/4"

Capacity
55 US gallons



Jetting Option

16 Jet Air System

- White - **00021**.....\$2,150
- Brushed Nickel - **00023**.....\$2,430
- Polished Chrome - **00024**.....\$2,300

8 Jet HydroMassage System

- White - **00111**.....\$1,460
- Polished Chrome - **00114**.....\$1,400

Inline Heater - 00171\$470

Custom Jetting - 00155\$250

Upgrades

Chromatherapy

- White - **01020**.....\$580
- Polished Chrome - **01021**.....\$580

Comfort Warm™

- Single - **01040-01**.....\$1,020
- Dual - **01040-02**.....\$1,260

Aromatherapy

- Aromatherapy - **01030**.....\$500

Vibe Sound System - See Page - 36

Accessories

Clicker Waste & Overflow Kit

- Polished Chrome - 01064.....\$120

Grab Bar - 6" Installed

- Clear / Gold Inserts- **01002**.....\$240
- White - **01003**.....\$100

Grab Bars - 10" Installed

- Chrome- **01004**.....\$240

Additional Accessories

- See Page - 39





Contessa

ACRYLIC



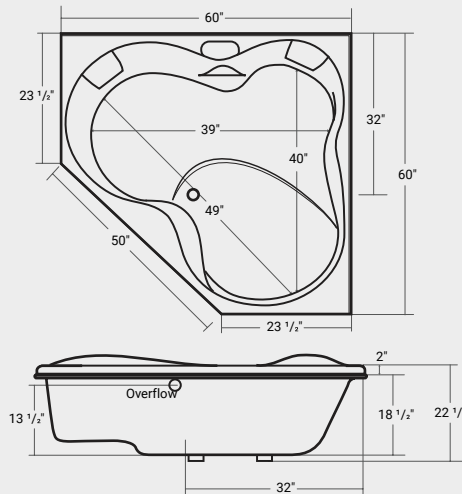
DROP-IN

| Part # | List Price |
|--------|------------|
| 42081 | \$1,344 |

Dimensions:
60" x 60" x 22 1/2"

Immersion Depth:
13 1/4"

Capacity
50 US gallons



Jetting Option

16 Jet Air System

- White - **00021**.....\$2,150
- Brushed Nickel - **00023**.....\$2,430
- Polished Chrome - **00024**.....\$2,300

8 Jet HydroMassage System

- White - **00111**.....\$1,460
- Polished Chrome - **00114**.....\$1,400

Inline Heater - 00171.....\$470

Custom Jetting - 00155.....\$250

Upgrades

Chromatherapy

- White - **01020**.....\$580
- Polished Chrome - **01021**.....\$580

Comfort Warm™

- Single - **01040-01**.....\$1,020
- Dual - **01040-02**.....\$1,260

Aromatherapy

- Aromatherapy - **01030**.....\$500

Vibe Sound System - See Page - 36

Accessories

Clicker Waste & Overflow Kit

- Polished Chrome - **01064**.....\$120

Grab Bar - 6" Installed

- Clear / Gold Inserts- **01002**.....\$240
- White - **01003**.....\$100

Grab Bars - 10" Installed

- Chrome- **01004**.....\$240

Additional Accessories

- See Page - 39

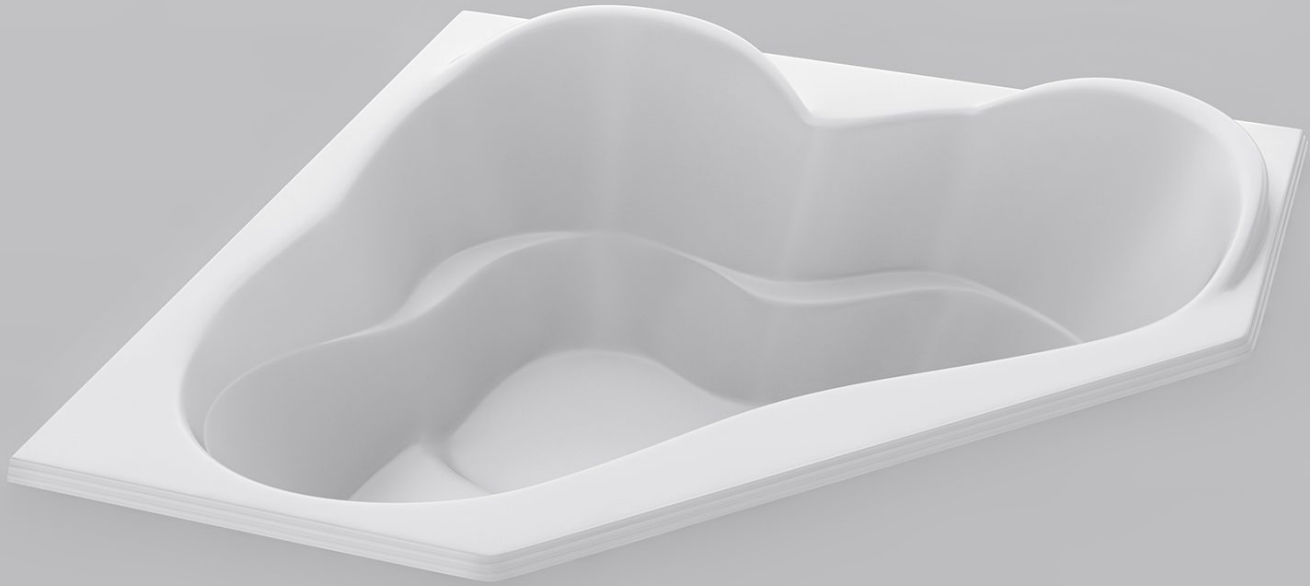




Goddess 60

ACRYLIC

DROP-IN



| Part # | List Price |
|--------|------------|
| 42121 | \$1,650 |

Dimensions:

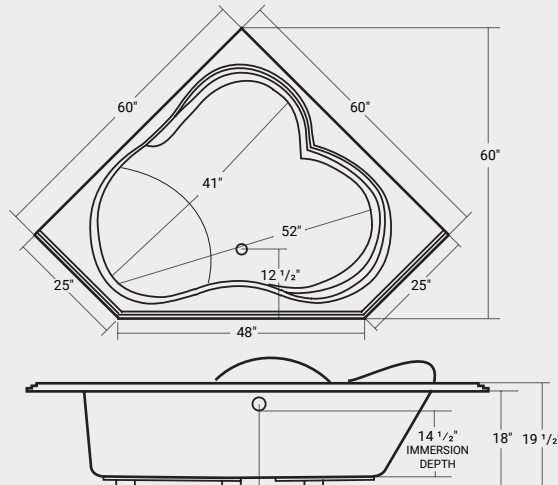
60" x 60" x 19 1/2"

Immersion Depth:

14 1/2"

Capacity

50 US gallons



Jetting Option

16 Jet Air System

- White - **00021**.....\$2,150
- Brushed Nickel - **00023**.....\$2,430
- Polished Chrome - **00024**.....\$2,300

8 Jet HydroMassage System

- White - **00111**.....\$1,460
- Polished Chrome - **00114**.....\$1,400

Inline Heater - **00171**.....\$470

Custom Jetting - **00155**.....\$250

Upgrades

Chromatherapy

- White - **01020**.....\$580
- Polished Chrome - **01021**.....\$580

Comfort Warm™

- Single - **01040-01**.....\$1,020
- Dual - **01040-02**.....\$1,260

Aromatherapy

- Aromatherapy - **01030**.....\$500

Vibe Sound System - See Page - 36

Accessories

Clicker Waste & Overflow Kit

- Polished Chrome - **01064**.....\$120

Grab Bar - 6" Installed

- Clear / Gold Inserts- **01002**.....\$240
- White - **01003**.....\$100

Grab Bars - 10" Installed

- Chrome- **01004**.....\$240

Additional Accessories

- See Page - 39





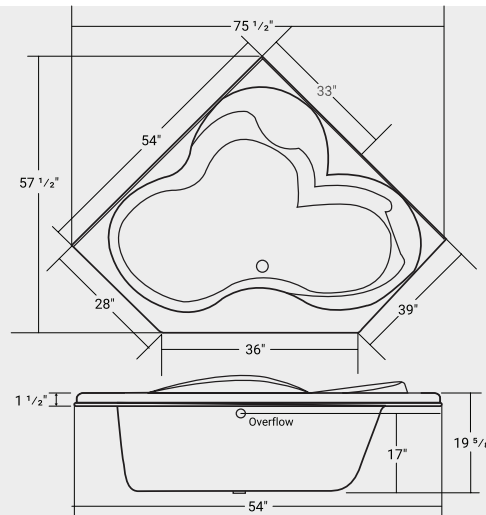
DROP-IN

| Part # | List Price |
|--------|------------|
| 42133 | \$1,280 |

Dimensions:
54" x 54" x 19 5/8"

Immersion Depth:
16 1/2"

Capacity
78 US gallons



Jetting Option

16 Jet Air System

- White - **00021**.....\$2,150
- Brushed Nickel - **00023**.....\$2,430
- Polished Chrome - **00024**.....\$2,300

8 Jet HydroMassage System

- White - **00111**.....\$1,460
- Polished Chrome - **00114**.....\$1,400

Inline Heater - 00171\$470

Custom Jetting - 00155\$250

Upgrades

Chromatherapy

- White - **01020**.....\$580
- Polished Chrome - **01021**.....\$580

Comfort Warm™

- Single - **01040-01**.....\$1,020
- Dual - **01040-02**.....\$1,260

Aromatherapy

- Aromatherapy - **01030**.....\$500

Vibe Sound System - See Page - 36

Accessories

Clicker Waste & Overflow Kit

- Polished Chrome - 01064.....\$120

Grab Bar - 6" Installed

- Clear / Gold Inserts- **01002**.....\$240
- White - **01003**.....\$100

Grab Bars - 10" Installed

- Chrome- **01004**.....\$240

Additional Accessories

- See Page - 39



Casablanca

ACRYLIC



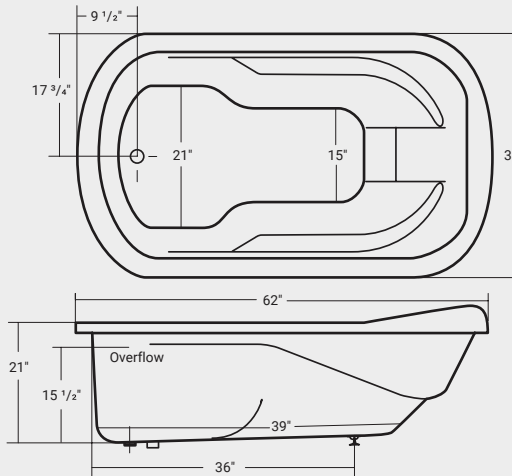
DROP-IN

| Part # | List Price |
|--------|------------|
| 42231 | \$1,360 |

Dimensions:
62" x 35" x 21"

Immersion Depth:
15 1/4"

Capacity
40 US gallons



Jetting Option

16 Jet Air System

- White - **00021**.....\$2,150
- Brushed Nickel - **00023**.....\$2,430
- Polished Chrome - **00024**.....\$2,300

8 Jet HydroMassage System

- White - **00111**.....\$1,460
- Polished Chrome - **00114**.....\$1,400

Inline Heater - 00171\$470

Custom Jetting - 00155\$250

Upgrades

Chromatherapy

- White - **01020**.....\$580
- Polished Chrome - **01021**.....\$580

Comfort Warm™

- Single - **01040-01**.....\$1,020
- Dual - **01040-02**.....\$1,260

Aromatherapy

- Aromatherapy - **01030**.....\$500

Vibe Sound System - See Page - 36

Accessories

Clicker Waste & Overflow Kit

- Polished Chrome - 01064.....\$120

Grab Bar - 6" Installed

- Clear / Gold Inserts- **01002**.....\$240
- White - **01003**.....\$100

Grab Bars - 10" Installed

- Chrome- **01004**.....\$240

Additional Accessories

- See Page - 39





JF180A

ACRYLIC



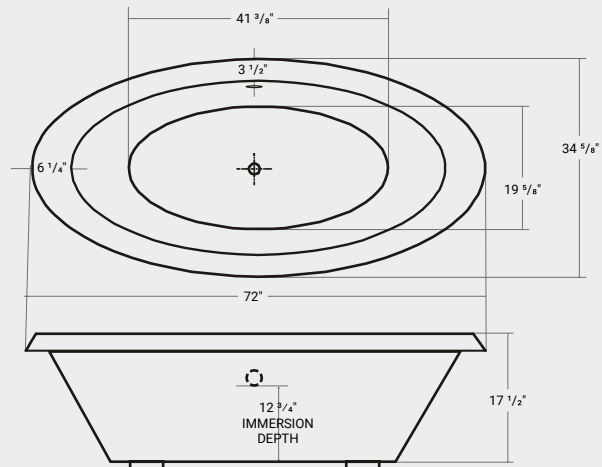
DROP-IN

| Part # | List Price |
|--------|------------|
| 44161 | \$1,180 |

Dimensions:
72" x 34 5/8" x 17 1/2"

Immersion Depth:
12 3/4"

Capacity
60 US gallons



Jetting Option

16 Jet Air System

- White - **00021**.....\$2,150
- Brushed Nickel - **00023**.....\$2,430
- Polished Chrome - **00024**.....\$2,300

8 Jet HydroMassage System

- White - **00111**.....\$1,460
- Polished Chrome - **00114**.....\$1,400

Inline Heater - 00171\$470

Custom Jetting - 00155\$250

Upgrades

Chromatherapy

- White - **01020**.....\$580
- Polished Chrome - **01021**.....\$580

Comfort Warm™

- Single - **01040-01**.....\$1,020
- Dual - **01040-02**.....\$1,260

Aromatherapy

- Aromatherapy - **01030**.....\$500

Vibe Sound System - See Page - 36

Accessories

Clicker Waste & Overflow Kit

- Polished Chrome - **01064**.....\$120

Grab Bar - 6" Installed

- Clear / Gold Inserts- **01002**.....\$240
- White - **01003**.....\$100

Grab Bars - 10" Installed

- Chrome- **01004**.....\$240

Additional Accessories

- See Page - 39





Marrakesh

ACRYLIC

DROP-IN

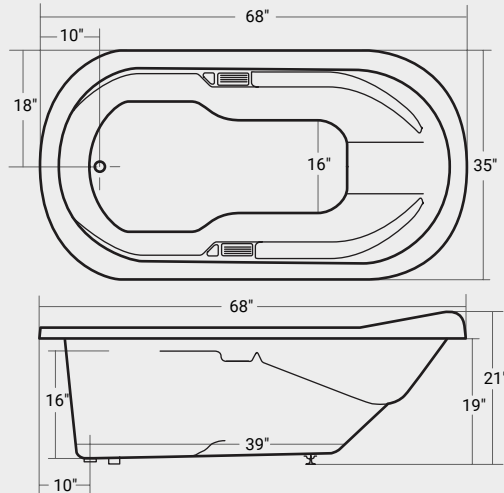


| Part # | List Price |
|--------|------------|
| 42251 | \$1,360 |

Dimensions:
68" x 35" x 21"

Immersion Depth:
15 1/2"

Capacity
50 US gallons



Jetting Option

16 Jet Air System

- White - **00021**.....\$2,150
- Brushed Nickel - **00023**.....\$2,430
- Polished Chrome - **00024**.....\$2,300

8 Jet HydroMassage System

- White - **00111**.....\$1,460
- Polished Chrome - **00114**.....\$1,400

Inline Heater - 00171\$470

Custom Jetting - 00155\$250

Upgrades

Chromatherapy

- White - **01020**.....\$580
- Polished Chrome - **01021**.....\$580

Comfort Warm™

- Single - **01040-01**.....\$1,020
- Dual - **01040-02**.....\$1,260

Aromatherapy

- Aromatherapy - **01030**.....\$500

Vibe Sound System - See Page - 36

Accessories

Clicker Waste & Overflow Kit

- Polished Chrome - 01064.....\$120

Grab Bar - 6" Installed

- Clear / Gold Inserts- **01002**.....\$240
- White - **01003**.....\$100

Grab Bars - 10" Installed

- Chrome- **01004**.....\$240

Additional Accessories

- See Page - 39





Tiffany

ACRYLIC



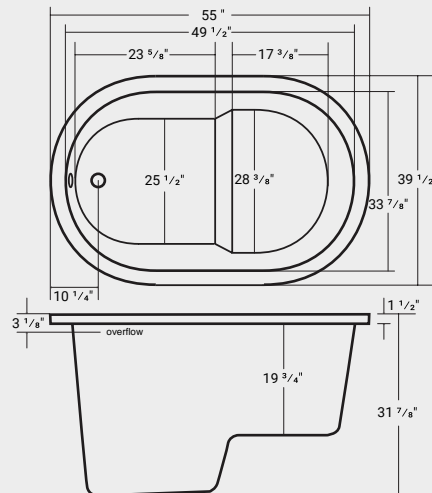
DROP-IN

| Part # | List Price |
|--------|------------|
| 44355 | \$1,720 |

Dimensions:
55" x 39 1/2" x 31 7/8"

Immersion Depth:
28 1/2"

Capacity
106 US gallons



Jetting Option

16 Jet Air System

- White - **00021**.....\$2,150
- Brushed Nickel - **00023**.....\$2,430
- Polished Chrome - **00024**.....\$2,300

8 Jet HydroMassage System

- White - **00111**.....\$1,460
- Polished Chrome - **00114**.....\$1,400

Inline Heater - 00171\$470

Custom Jetting - 00155\$250

Upgrades

Chromatherapy

- White - **01020**.....\$580
- Polished Chrome - **01021**.....\$580

Comfort Warm™

- Single - **01040-01**.....\$1,020
- Dual - **01040-02**.....\$1,260

Aromatherapy

- Aromatherapy - **01030**.....\$500

Vibe Sound System - See Page - 36

Accessories

Clicker Waste & Overflow Kit

- Polished Chrome - 01064.....\$120

Grab Bar - 6" Installed

- Clear / Gold Inserts- **01002**.....\$240
- White - **01003**.....\$100

Grab Bars - 10" Installed

- Chrome- **01004**.....\$240

Additional Accessories

- See Page - 39



Amsterdam

ACRYLIC

DROP-IN

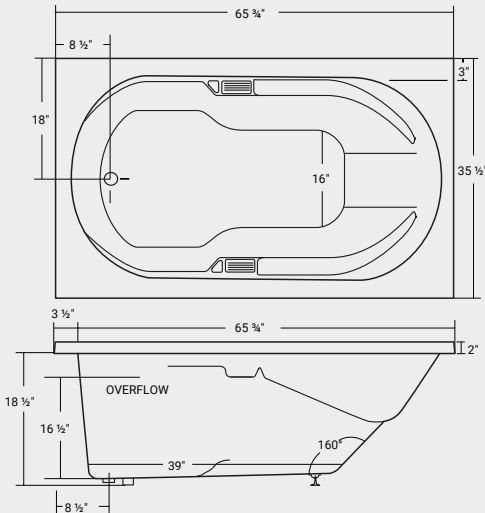


| Part # | List Price |
|--------|------------|
| 42331 | \$1,000 |

Dimensions:
65 3/4" x 35 1/2" x 20 1/2"

Immersion Depth:
15 1/2"

Capacity
50 US gallons



Jetting Option

16 Jet Air System

- White - **00021**.....\$2,150
- Brushed Nickel - **00023**.....\$2,430
- Polished Chrome - **00024**.....\$2,300

8 Jet HydroMassage System

- White - **00111**.....\$1,460
- Polished Chrome - **00114**.....\$1,400

Inline Heater - 00171\$470

Custom Jetting - 00155\$250

Upgrades

Chromatherapy

- White - **01020**.....\$580
- Polished Chrome - **01021**.....\$580

Comfort Warm™

- Single - **01040-01**.....\$1,020
- Dual - **01040-02**.....\$1,260

Aromatherapy

- Aromatherapy - **01030**.....\$500

Vibe Sound System - See Page - 36

Accessories

Clicker Waste & Overflow Kit

- Polished Chrome - **01064**.....\$120

Grab Bar - 6" Installed

- Clear / Gold Inserts- **01002**.....\$240
- White - **01003**.....\$100

Grab Bars - 10" Installed

- Chrome- **01004**.....\$240

Additional Accessories

- See Page - 39





Aura

ACRYLIC



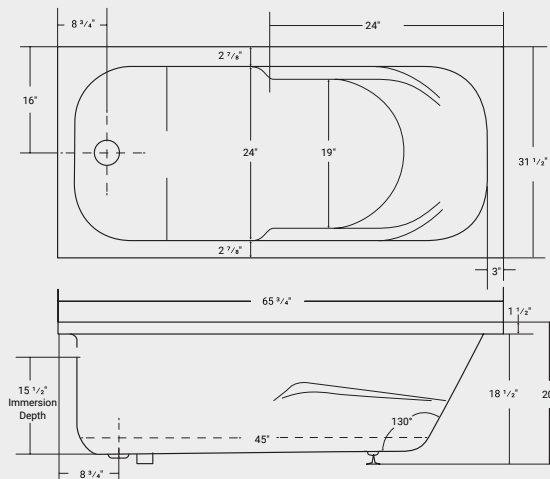
DROP-IN

| Part # | List Price |
|--------|------------|
| 42333 | \$1,240 |

Dimensions:
65 3/4" x 31 1/2" x 20"

Immersion Depth:
15 1/2"

Capacity
50 US gallons



Jetting Option

16 Jet Air System

- White - **00021** \$2,150
- Brushed Nickel - **00023** \$2,430
- Polished Chrome - **00024** \$2,300

8 Jet HydroMassage System

- White - **00111** \$1,460
- Polished Chrome - **00114** \$1,400

Inline Heater - 00171 \$470

Custom Jetting - 00155 \$250

Upgrades

Chromatherapy

- White - **01020** \$580
- Polished Chrome - **01021** \$580

Comfort Warm™

- Single - **01040-01** \$1,020
- Dual - **01040-02** \$1,260

Aromatherapy

- Aromatherapy - **01030** \$500

Vibe Sound System - See Page - 36

Accessories

Clicker Waste & Overflow Kit

- Polished Chrome - **01064** \$120

Grab Bar - 6" Installed

- Clear / Gold Inserts- **01002** \$240
- White - **01003** \$100

Grab Bars - 10" Installed

- Chrome- **01004** \$240

Additional Accessories

- See Page - 39

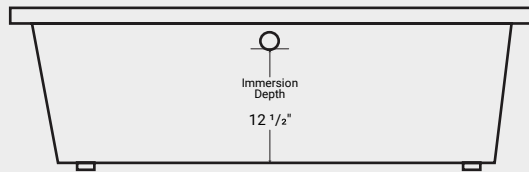
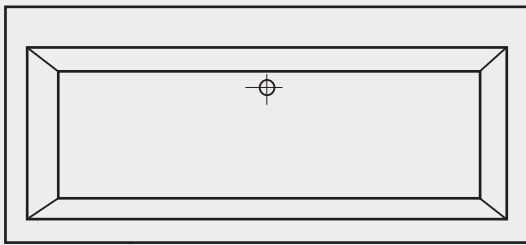




Balla

ACRYLIC

DROP-IN



| Name | Part # | Dimensions | Height | Immersion Depth | Approx. Capacity | Backrest Angle | MSRP |
|------|--------|-------------------|---------|-----------------|------------------|----------------|---------|
| 60 | 42343 | 59 1/2" x 31 3/4" | 19" | 12 1/2" | 48 US Gal | 110° | \$1,230 |
| 66 | 42344 | 65 1/2" x 31 1/2" | 19" | 12 1/2" | 56 US Gal | 117° | \$1,340 |
| 72 | 42345 | 71 1/4" x 35 1/2" | 18 1/4" | 12 1/2" | 75 US Gal | 110° | \$1,580 |

Jetting Option

16 Jet Air System

- White - **00021**.....\$2,150
- Brushed Nickel - **00023**.....\$2,430
- Polished Chrome - **00024**.....\$2,300

8 Jet HydroMassage System

- White - **00111**.....\$1,460
- Polished Chrome - **00114**.....\$1,400

Inline Heater - **00171**\$470

Custom Jetting - **00155**\$250

Upgrades

Chromatherapy

- White - **01020**.....\$580
- Polished Chrome - **01021**.....\$580

Comfort Warm™

- Single - **01040-01**.....\$1,020
- Dual - **01040-02**.....\$1,260

Aromatherapy

- Aromatherapy - **01030**.....\$500

Vibe Sound System - See Page - 36

Accessories

Clicker Waste & Overflow Kit

- Polished Chrome - **01064**.....\$120

Grab Bar - 6" Installed

- Clear / Gold Inserts- **01002**.....\$240
- White - **01003**.....\$100

Grab Bars - 10" Installed

- Chrome- **01004**.....\$240

Additional Accessories

- See Page - 39





Charles

NEW

ACRYLIC

DROP-IN

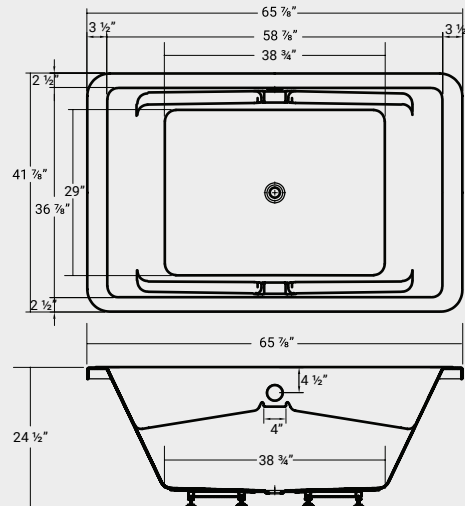


| Part # | List Price |
|--------|------------|
| 45212 | \$1,970 |

Dimensions:
65 7/8" x 41 7/8" x 24 1/2"

Immersion Depth:
15 1/2"

| Capacity | Backrest Angle |
|----------|----------------|
| 94 | 116° |



Jetting Option

16 Jet Air System

- White - **00021**.....\$2,150
- Brushed Nickel - **00023**.....\$2,430
- Polished Chrome - **00024**.....\$2,300

8 Jet HydroMassage System

- White - **00111**.....\$1,460
- Polished Chrome - **00114**.....\$1,400

Inline Heater - 00171\$470

Custom Jetting - 00155\$250

Upgrades

Chromatherapy

- White - **01020**.....\$580
- Polished Chrome - **01021**.....\$580

Comfort Warm™

- Single - **01040-01**.....\$1,020
- Dual - **01040-02**.....\$1,260

Aromatherapy

- Aromatherapy - **01030**.....\$500

Vibe Sound System - See Page - 36

Accessories

Clicker Waste & Overflow Kit

- Polished Chrome - **01064**.....\$120

Grab Bar - 6" Installed

- Clear / Gold Inserts- **01002**.....\$240
- White - **01003**.....\$100

Grab Bars - 10" Installed

- Chrome- **01004**.....\$240

Additional Accessories

- See Page - 39



Denmark

ACRYLIC

DROP-IN



| Part # | List Price |
|--------|------------|
| 42354 | \$1,220 |

Dimensions:

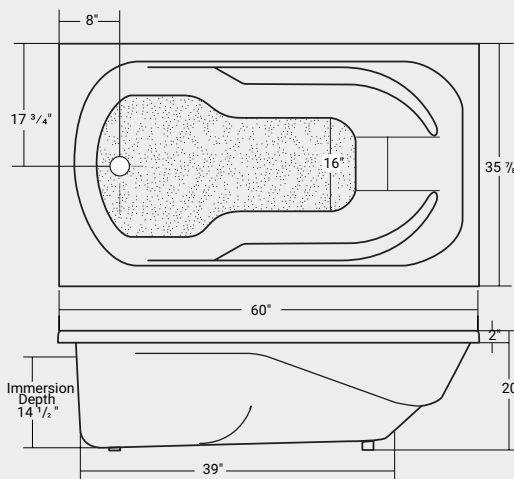
60" x 35 7/8" x 20"

Immersion Depth:

14 1/4"

Capacity

55 US gallons



Jetting Option

16 Jet Air System

- White - **00021** \$2,150
- Brushed Nickel - **00023** \$2,430
- Polished Chrome - **00024** \$2,300

8 Jet HydroMassage System

- White - **00111** \$1,460
- Polished Chrome - **00114** \$1,400

Inline Heater - 00171 \$470

Custom Jetting - 00155 \$250

Upgrades

Chromatherapy

- White - **01020** \$580
- Polished Chrome - **01021** \$580

Comfort Warm™

- Single - **01040-01** \$1,020
- Dual - **01040-02** \$1,260

Aromatherapy

- Aromatherapy - **01030** \$500

Vibe Sound System - See Page - 36

Accessories

Clicker Waste & Overflow Kit

- Polished Chrome - **01064** \$120

Grab Bar - 6" Installed

- Clear / Gold Inserts- **01002** \$240
- White - **01003** \$100

Grab Bars - 10" Installed

- Chrome- **01004** \$240

Additional Accessories

- See Page - 39





Freya Therapeutica

ACRYLIC



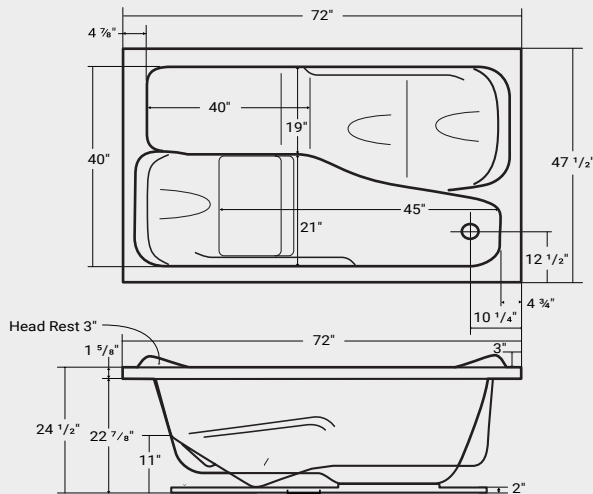
DROP-IN

| Part # | List Price |
|--------|------------|
| 42371 | \$2,830 |

Dimensions:
72" x 47 1/2" x 24 1/2"

Immersion Depth:
19

Capacity
80 US gallons



Jetting Option

16 Jet Air System

- White - **00021** \$2,150
- Brushed Nickel - **00023** \$2,430
- Polished Chrome - **00024** \$2,300

8 Jet HydroMassage System

- White - **00111** \$1,460
- Polished Chrome - **00114** \$1,400

Inline Heater - 00171 \$470

Custom Jetting - 00155 \$250

Upgrades

Chromatherapy

- White - **01020** \$580
- Polished Chrome - **01021** \$580

Comfort Warm™

- Single - **01040-01** \$1,020
- Dual - **01040-02** \$1,260

Aromatherapy

- Aromatherapy - **01030** \$500

Vibe Sound System - See Page - 36

Accessories

Clicker Waste & Overflow Kit

- Polished Chrome - **01064** \$120

Grab Bar - 6" Installed

- Clear / Gold Inserts- **01002** \$240
- White - **01003** \$100

Grab Bars - 10" Installed

- Chrome- **01004** \$240

Additional Accessories

- See Page - 39





Heritage

ACRYLIC

DROP-IN

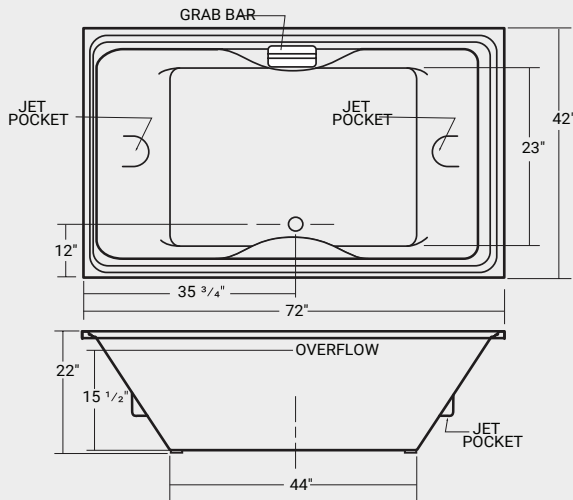


| Part # | List Price |
|--------|------------|
| 42381 | \$1,820 |

Dimensions:
72" x 42" x 22"

Immersion Depth:
14 1/2"

Capacity
75 US gallons Approx



Jetting Option

16 Jet Air System

- White - **00021**.....\$2,150
- Brushed Nickel - **00023**.....\$2,430
- Polished Chrome - **00024**.....\$2,300

8 Jet HydroMassage System

- White - **00111**.....\$1,460
- Polished Chrome - **00114**.....\$1,400

Inline Heater - 00171\$470

Custom Jetting - 00155\$250

Upgrades

Chromatherapy

- White - **01020**.....\$580
- Polished Chrome - **01021**.....\$580

Comfort Warm™

- Single - **01040-01**.....\$1,020
- Dual - **01040-02**.....\$1,260

Aromatherapy

- Aromatherapy - **01030**.....\$500

Vibe Sound System - See Page - 36

Accessories

Clicker Waste & Overflow Kit

- Polished Chrome - 01064.....\$120

Grab Bar - 6" Installed

- Clear / Gold Inserts- **01002**.....\$240
- White - **01003**.....\$100

Grab Bars - 10" Installed

- Chrome- **01004**.....\$240

Additional Accessories

- See Page - 39





Kobe

ACRYLIC

DROP-IN

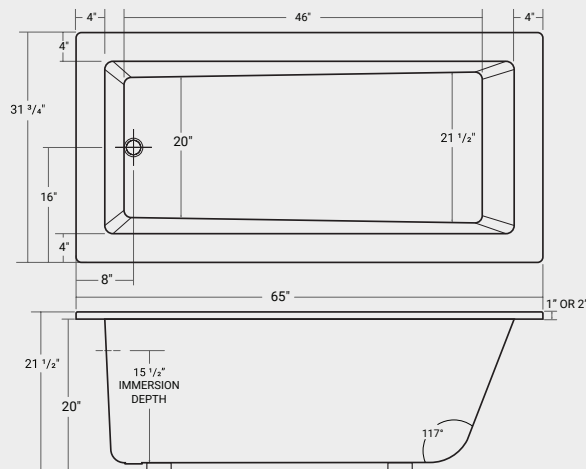


| Lip + Part# | List Price |
|--------------|------------|
| 1" - 42391-1 | \$1,370 |
| 2" - 42391-2 | \$1,370 |

Dimensions:
65" x 31 3/4" x 21 1/2"

Immersion Depth:
15 1/2"

Capacity
50 US gallons



Jetting Option

16 Jet Air System

- White - **00021** \$2,150
- Brushed Nickel - **00023** \$2,430
- Polished Chrome - **00024** \$2,300

8 Jet HydroMassage System

- White - **00111** \$1,460
- Polished Chrome - **00114** \$1,400

Inline Heater - **00171** \$470

Custom Jetting - **00155** \$250

Upgrades

Chromatherapy

- White - **01020** \$580
- Polished Chrome - **01021** \$580

Comfort Warm™

- Single - **01040-01** \$1,020
- Dual - **01040-02** \$1,260

Aromatherapy

- Aromatherapy - **01030** \$500

Vibe Sound System - See Page - 36

Accessories

Clicker Waste & Overflow Kit

- Polished Chrome - **01064** \$120

Grab Bar - 6" Installed

- Clear / Gold Inserts- **01002** \$240
- White - **01003** \$100

Grab Bars - 10" Installed

- Chrome- **01004** \$240

Additional Accessories

- See Page - 39



Kyoto

ACRYLIC

DROP-IN

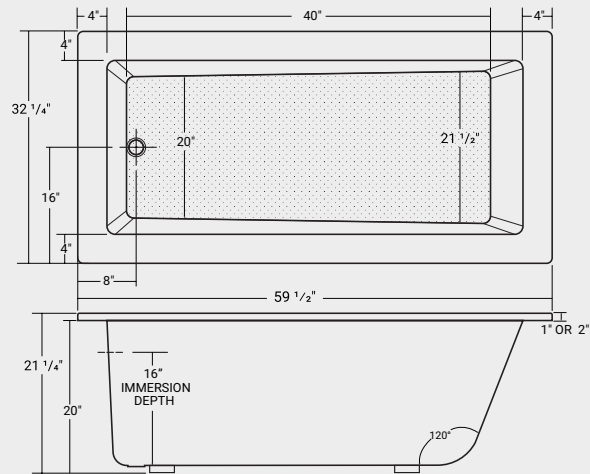


| Lip + Part# | List Price |
|--------------|------------|
| 1" - 42421-1 | \$1,220 |
| 2" - 42421-2 | \$1,220 |

Dimensions:
59 1/2" x 32 1/4" x 21 1/4"

Immersion Depth:
16"

Capacity
50 US gallons



Jetting Option

16 Jet Air System

- White - **00021** \$2,150
- Brushed Nickel - **00023** \$2,430
- Polished Chrome - **00024** \$2,300

8 Jet HydroMassage System

- White - **00111** \$1,460
- Polished Chrome - **00114** \$1,400

Inline Heater - 00171 \$470

Custom Jetting - 00155 \$250

Upgrades

Chromatherapy

- White - **01020** \$580
- Polished Chrome - **01021** \$580

Comfort Warm™

- Single - **01040-01** \$1,020
- Dual - **01040-02** \$1,260

Aromatherapy

- Aromatherapy - **01030** \$500

Vibe Sound System - See Page - 36

Accessories

Clicker Waste & Overflow Kit

- Polished Chrome - **01064** \$120

Grab Bar - 6" Installed

- Clear / Gold Inserts- **01002** \$240
- White - **01003** \$100

Grab Bars - 10" Installed

- Chrome- **01004** \$240

Additional Accessories

- See Page - 39





Lounge

ACRYLIC

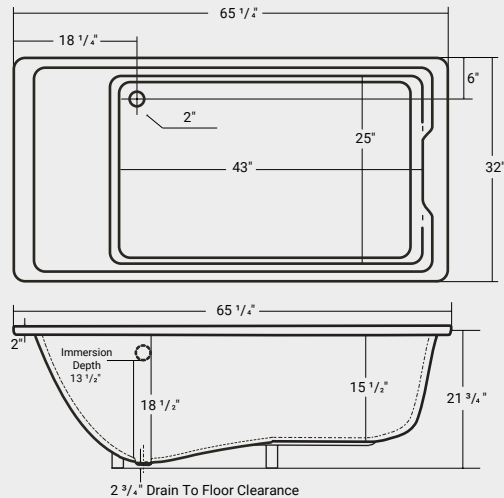


Grab bar is optional

DROP-IN

| Part# | List Price |
|-------|------------|
| 44225 | \$1,490 |

Dimensions:
 65 1/4" x 32" x 21 3/4"
Immersion Depth:
 13 1/2"
Capacity
 55 US gallons



Jetting Option

16 Jet Air System

- White - **00021** \$2,150
- Brushed Nickel - **00023** \$2,430
- Polished Chrome - **00024** \$2,300

8 Jet HydroMassage System

- White - **00111** \$1,460
- Polished Chrome - **00114** \$1,400

Inline Heater - **00171** \$470

Custom Jetting - **00155** \$250

Upgrades

Chromatherapy

- White - **01020** \$580
- Polished Chrome - **01021** \$580

Comfort Warm™

- Single - **01040-01** \$1,020
- Dual - **01040-02** \$1,260

Aromatherapy

- Aromatherapy - **01030** \$500

Vibe Sound System - See Page - 36

Accessories

Clicker Waste & Overflow Kit

- Polished Chrome - **01064** \$120

Grab Bar - 6" Installed

- Clear / Gold Inserts- **01002** \$240
- White - **01003** \$100

Grab Bars - 10" Installed

- Chrome- **01004** \$240

Additional Accessories

- See Page - 39





Rotterdam

ACRYLIC



DROP-IN

| Part# | List Price |
|-------|------------|
| 42461 | \$1,160 |

Dimensions:

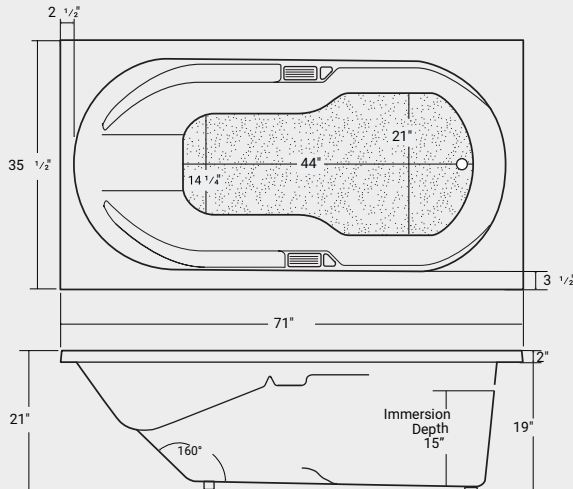
71" x 35 1/2" x 21"

Immersion Depth:

15"

Capacity

55 US gallons



Jetting Option

16 Jet Air System

- White - **00021**.....\$2,150
- Brushed Nickel - **00023**.....\$2,430
- Polished Chrome - **00024**.....\$2,300

8 Jet HydroMassage System

- White - **00111**.....\$1,460
- Polished Chrome - **00114**.....\$1,400

Inline Heater - **00171**\$470

Custom Jetting - **00155**\$250

Upgrades

Chromatherapy

- White - **01020**.....\$580
- Polished Chrome - **01021**.....\$580

Comfort Warm™

- Single - **01040-01**.....\$1,020
- Dual - **01040-02**.....\$1,260

Aromatherapy

- Aromatherapy - **01030**.....\$500

Vibe Sound System - See Page - 36

Accessories

Clicker Waste & Overflow Kit

- Polished Chrome - **01064**.....\$120

Grab Bar - 6" Installed

- Clear / Gold Inserts- **01002**.....\$240
- White - **01003**.....\$100

Grab Bars - 10" Installed

- Chrome- **01004**.....\$240

Additional Accessories

- See Page - 39





Stanley

ACRYLIC



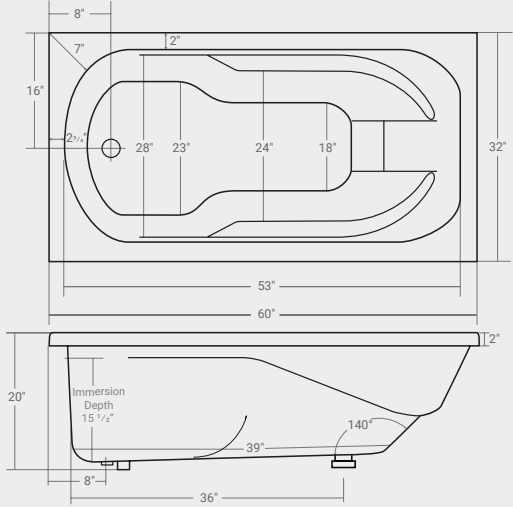
DROP-IN

| Part# | List Price |
|-------|------------|
| 42471 | \$660 |

Dimensions:
60" x 32" x 20"

Immersion Depth:
15 1/2"

Capacity
40 US gallons



| Jetting Option | |
|--|---------|
| 16 Jet Air System | |
| - White - 00021 | \$2,150 |
| - Brushed Nickel - 00023 | \$2,430 |
| - Polished Chrome - 00024 | \$2,300 |
| 8 Jet HydroMassage System | |
| - White - 00111 | \$1,460 |
| - Polished Chrome - 00114 | \$1,400 |
| Inline Heater - 00171 | \$470 |
| Custom Jetting - 00155 | \$250 |

| Upgrades | |
|--|---------|
| Chromatherapy | |
| - White - 01020 | \$580 |
| - Polished Chrome - 01021 | \$580 |
| Comfort Warm™ | |
| - Single - 01040-01 | \$1,020 |
| - Dual - 01040-02 | \$1,260 |
| Aromatherapy | |
| - Aromatherapy - 01030 | \$500 |
| Vibe Sound System - See Page - 36 | |

| Accessories | |
|--|-------|
| Clicker Waste & Overflow Kit | |
| - Polished Chrome - 01064 | \$120 |
| Grab Bar - 6" Installed | |
| - Clear / Gold Inserts- 01002 | \$240 |
| - White - 01003 | \$100 |
| Grab Bars - 10" Installed | |
| - Chrome- 01004 | \$240 |
| Additional Accessories | |
| - See Page - 39 | |

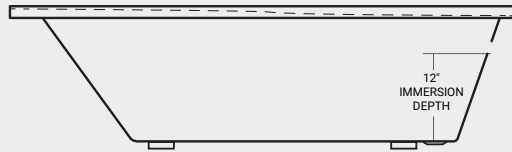
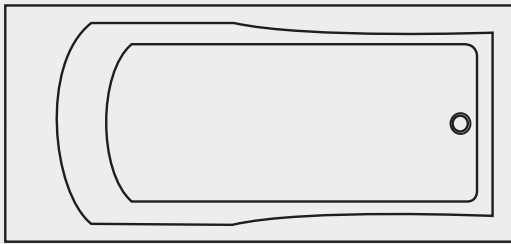




Vincent

ACRYLIC

DROP-IN



| Name | Part # | Dimensions | Height | Immersion Depth | Capacity | MSRP |
|------|--------|---------------|---------|-----------------|-----------|---------|
| 59" | 44216 | 59" x 29 1/2" | 18 7/8" | 12" | 40 US Gal | \$780 |
| 67" | 44218 | 67" x 31 1/2" | 18 7/8" | 12" | 47 US Gal | \$1,160 |

Jetting Option

16 Jet Air System

- White - **00021**.....\$2,150
- Brushed Nickel - **00023**.....\$2,430
- Polished Chrome - **00024**.....\$2,300

8 Jet HydroMassage System

- White - **00111**.....\$1,460
- Polished Chrome - **00114**.....\$1,400

Inline Heater - **00171**\$470

Custom Jetting - **00155**\$250

Upgrades

Chromatherapy

- White - **01020**.....\$580
- Polished Chrome - **01021**.....\$580

Comfort Warm™

- Single - **01040-01**.....\$1,020
- Dual - **01040-02**.....\$1,260

Aromatherapy

- Aromatherapy - **01030**.....\$500

Vibe Sound System - See Page - 36

Accessories

Clicker Waste & Overflow Kit

- Polished Chrome - **01064**.....\$120

Grab Bar - 6" Installed

- Clear / Gold Inserts- **01002**.....\$240
- White - **01003**.....\$100

Grab Bars - 10" Installed

- Chrome- **01004**.....\$240

Additional Accessories

- See Page - 39





William

ACRYLIC



DROP-IN

| Part# | List Price |
|-------|------------|
| 45211 | \$2,460 |

Dimensions:

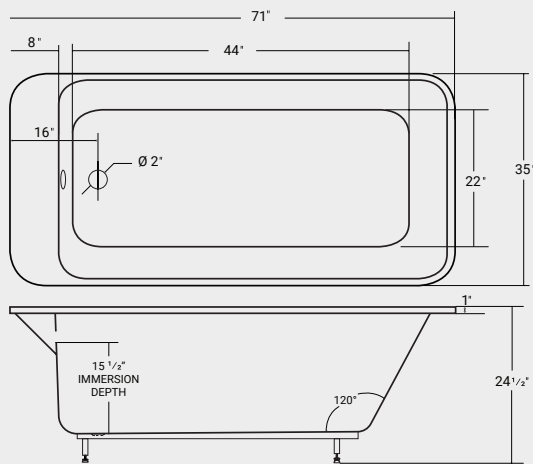
71" x 35" x 24 1/2"

Immersion Depth:

15 1/2"

Capacity

60 US gallons



Jetting Option

16 Jet Air System

- White - **00021** \$2,150
- Brushed Nickel - **00023** \$2,430
- Polished Chrome - **00024** \$2,300

8 Jet HydroMassage System

- White - **00111** \$1,460
- Polished Chrome - **00114** \$1,400

Inline Heater - **00171** \$470

Custom Jetting - **00155** \$250

Upgrades

Chromatherapy

- White - **01020** \$580
- Polished Chrome - **01021** \$580

Comfort Warm™

- Single - **01040-01** \$1,020
- Dual - **01040-02** \$1,260

Aromatherapy

- Aromatherapy - **01030** \$500

Vibe Sound System - See Page - 36

Accessories

Clicker Waste & Overflow Kit

- Polished Chrome - **01064** \$120

Grab Bar - 6" Installed

- Clear / Gold Inserts- **01002** \$240
- White - **01003** \$100

Grab Bars - 10" Installed

- Chrome- **01004** \$240

Additional Accessories

- See Page - 39





Clawfoot Quick Reference

Upgrades & Accessories

Wastes & Overflow

Info & Compatibility.....Page 64

Clawfoot Finish Upgrades

Info & Compatibility.....Page 63

Acrylic Clawfoot

| Products | Dimensions | Item No. | MSRP | Page |
|--------------|-------------------------|----------|---------|------|
| Antique 59 | 59" x 30 1/4" x 23 1/4" | 43101 | \$2,320 | 66 |
| Rhapsody | 68" x 28 1/4" x 31" | 43171 | \$2,560 | 67 |
| Victorian 61 | 60 1/2" x 29" x 30 3/8" | 43191 | \$2,200 | 68 |
| Victorian 67 | 66 1/2" x 29" x 31 1/4" | 43201 | \$2,400 | 68 |

Cast Iron Clawfoot

| Products | Dimensions | Item No. | MSRP | Page |
|-----------|-----------------------------|----------|---------|------|
| Cetus 60 | 60" x 30" x 22 3/8" | 48010 | \$3,990 | 69 |
| Cetus 67 | 67" x 30" x 22 3/8" | 48012 | \$4,510 | 69 |
| Kelpie | 72" x 30 3/4" x 28 1/2" | 48035 | \$5,940 | 70 |
| Triton 61 | 61" x 30 3/4" x 29 3/8" | 48020 | \$3,560 | 71 |
| Triton 67 | 66 7/8" x 30 3/4" x 29 3/8" | 48022 | \$3,920 | 71 |



Clawfoot Bath Leg Finish Upgrades

| Finish Name | Part # | MSRP |
|--------------------------|--------|-------|
| Brushed Nickel | 43990 | \$650 |
| **Antique | 43996 | \$958 |
| Matte Black | 43993 | \$582 |
| White | 43992 | \$582 |
| Oil Rubbed Bronze | 43994 | \$650 |



Clawfoot Bath Leg Finish Upgrade Compatibility

All Clawfoot baths come standard with chrome feet

| Acrylic | Brushed Nickel | Matte Black | White | Oil Rubbed Bronze |
|------------------|----------------|-------------|-------|-------------------|
| Antique | + (**) | n/a | n/a | n/a |
| Rhapsody | + | + | + | + |
| Victorian | + | + | + | + |
| Cast Iron | | | | |
| Cetus | n/a | n/a | n/a | n/a |
| Kelpie | n/a | n/a | n/a | n/a |
| Triton | n/a | n/a | n/a | n/a |

* n/a = not available

* + = available



Waste & Overflow Kit Check List

Clawfoot baths do not come with waste & overflow kits. Must be ordered separately.

| Acrylic | ChromeClicker Part #: 01076 | Chrome Plug & Chain Part #: 01074 | Chrome Clicker and Plug & Chain Part #: 01060 | Brushed Nickel Plug & Chain Part #: 01073 | O.R.B Plug & Chain Part #: 01077 | Matte Black Plug & Chain Part #: 01072 |
|------------------|---------------------------------------|---|---|---|--|--|
| Antique | + | + | + | + | + | + |
| Rhapsody | + | + | + | + | + | + |
| Victorian | + | + | + | + | + | + |
| Cast Iron | | | | | | |
| Cetus | + | n/a | + | n/a | n/a | n/a |
| Kelpie | + | n/a | + | n/a | n/a | n/a |
| Triton | + | n/a | + | n/a | n/a | n/a |

* n/a = not available

* + = available

Waste & Overflow Kit Check List

Clawfoot baths do not come with waste & overflow kits. Must be ordered separately.

| | | | | | | |
|------------------|---|-----|---|-----|-----|-----|
| Cast Iron | | | | | | |
| Cetus | + | n/a | + | n/a | n/a | n/a |
| Kelpie | + | n/a | + | n/a | n/a | n/a |
| Triton | + | n/a | + | n/a | n/a | n/a |

* n/a = not available

* + = available



Bath Pillows



08010

Pillow | Contoured | Compatible with all Acritec baths

Dimensions

11 7/8" x 4 3/8"

Colour

Black

MSRP - \$100



08012

Pillow | Premium | Compatible with all Acritec baths

Dimensions

11 1/2" x 6 1/2"

Colour

Black

MSRP - \$140



08014

Pillow | Contoured | For baths with rounded backrests

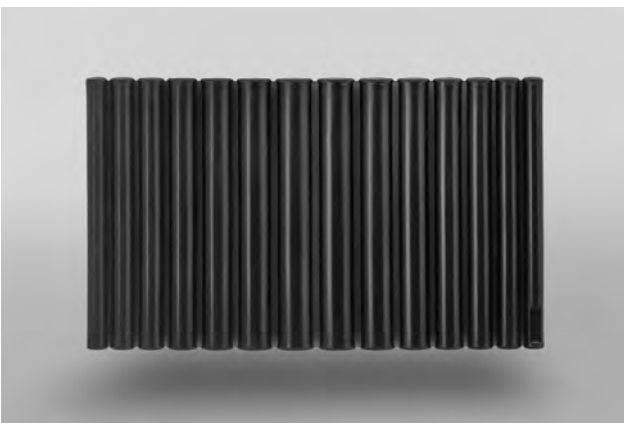
Dimensions

11 1/2" x 3 1/8"

Colour

Black

MSRP - \$120



08016

Pillow | Premium | Compatible with all Acritec baths

Dimensions

15 3/4" x 10 1/4"

Colour

Black

MSRP - \$270

Antique 59

ACRYLIC

CLAWFOOT

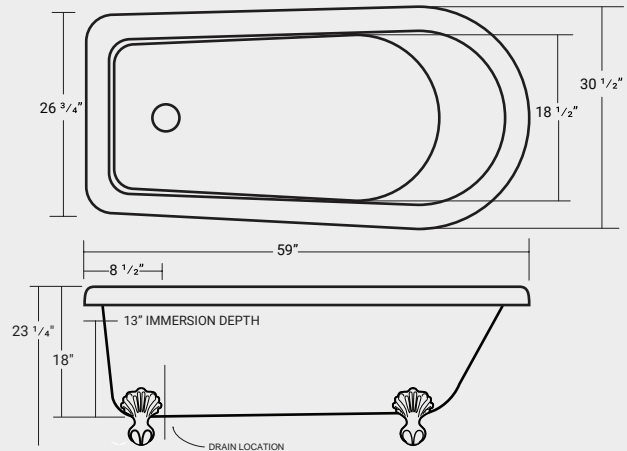


Part # **List Price**
 43101 \$2,320

Dimensions:
 59" x 30 1/2" x 23 1/4"

Immersion Depth:
 13"

Capacity
 45 US Gallons



Waste & Overflow Kits

- Chrome Clicker**
- Part # - **01076** \$340
- Chrome Plug & Chain**
- Part # - **01074** \$340
- Chrome Clicker, Plug & Chain**
- Part # - **01060** \$340
- Brushed Nickel Plug & Chain**
- Part # - **01073** \$400
- Matte Black Plug & Chain**
- Part # - **01072** \$960

Leg Finish Upgrades

- Brushed Nickel**
- Part # - **43996** \$958

Pillows

- **08010** \$100
- **08012** \$140
- **08014** \$120
- **08016** \$270





Rhapsody

ACRYLIC

CLAWFOOT

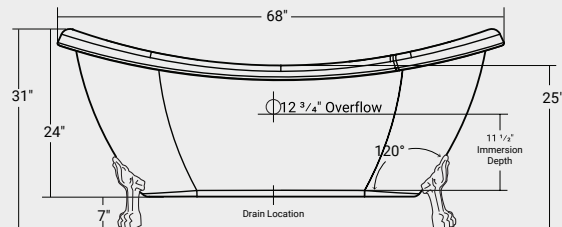
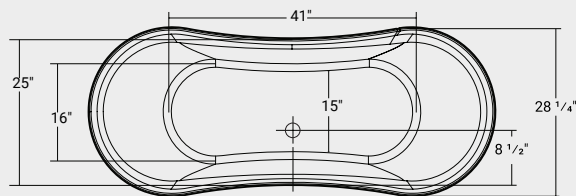


| Part # | List Price |
|--------|------------|
| 43171 | \$2,560 |

Dimensions:
68" x 28 1/4" x 31"

Immersion Depth:
11 1/2"

Capacity
53 US Gallons



Waste & Overflow Kits

| | |
|---|-------|
| Chrome Clicker | |
| - Part # - 01076 | \$340 |
| Chrome Plug & Chain | |
| - Part # - 01074 | \$340 |
| Chrome Clicker, Plug & Chain | |
| - Part # - 01060 | \$340 |
| Brushed Nickel Plug & Chain | |
| - Part # - 01073 | \$400 |
| Matte Black Plug & Chain | |
| - Part # - 01072 | \$960 |

Leg Finish Upgrades

| | |
|-------------------------------|-------|
| Brushed Nickel | |
| - Part # - 43990 | \$650 |
| White | |
| - Part # - 43992 | \$582 |
| Oil Rubbed Bronze | |
| - Part # - 43994 | \$650 |

Pillows

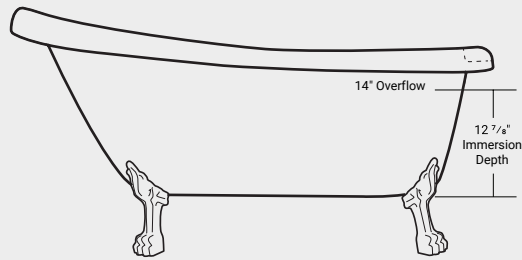
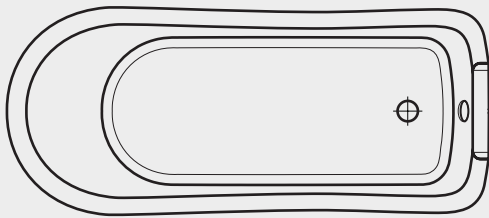
| | |
|----------------------|-------|
| - 08010 | \$100 |
| - 08012 | \$140 |
| - 08014 | \$120 |
| - 08016 | \$270 |



Victorian

ACRYLIC

CLAWFOOT



| Name | Part # | Dimensions | Height | Immersion Depth | Capacity | MSRP |
|------|--------|-------------------|---------|-----------------|-----------|---------|
| 61" | 43191 | 60 1/2" x 28 3/4" | 30 3/8" | 12 7/8" | 45 US Gal | \$2,200 |
| 67" | 43201 | 66 1/2" x 28 3/4" | 31 1/4" | 12 7/8" | 52 US Gal | \$2,400 |

Waste & Overflow Kits

- Chrome Clicker**
- Part # - **01076**.....\$340
- Chrome Plug & Chain**
- Part # - **01074**.....\$340
- Chrome Clicker, Plug & Chain**
- Part # - **01060**.....\$340
- Brushed Nickel Plug & Chain**
- Part # - **01073**.....\$400
- Matte Black Plug & Chain**
- Part # - **01072**.....\$960

Leg Finish Upgrades

- Brushed Nickel**
- Part # - **43990**.....\$650
- White**
- Part # - **43992**.....\$582
- Oil Rubbed Bronze**
- Part # - **43994**.....\$650

Pillows

- **08010**.....\$100
- **08012**.....\$140
- **08014**.....\$120
- **08016**.....\$270

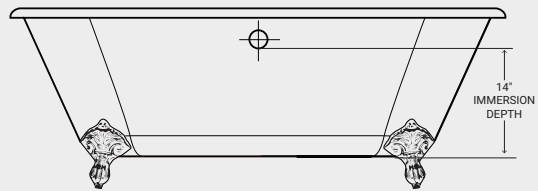
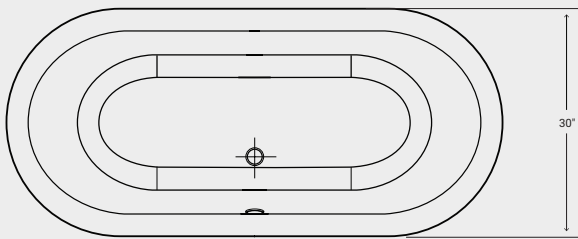




Cetus

CAST IRON

CLAWFOOT



| Name | Part # | Dimensions | Height | Immersion Depth | Capacity | MSRP |
|------|--------|------------|---------|-----------------|-----------|---------|
| 60" | 48010 | 60" x 30" | 22 3/8" | 14" | 36 US Gal | \$3,990 |
| 67" | 48012 | 67" x 30" | 22 3/8" | 14" | 47 US Gal | \$4,510 |

Waste & Overflow Kits

- Chrome Clicker
- Part # - **01076**.....\$340
- Chrome Clicker, Plug & Chain
- Part # - **01060**.....\$340

Pillows

- **08010** \$100
- **08012** \$140
- **08014** \$120
- **08016** \$270





Kelpie

CAST IRON

CLAWFOOT

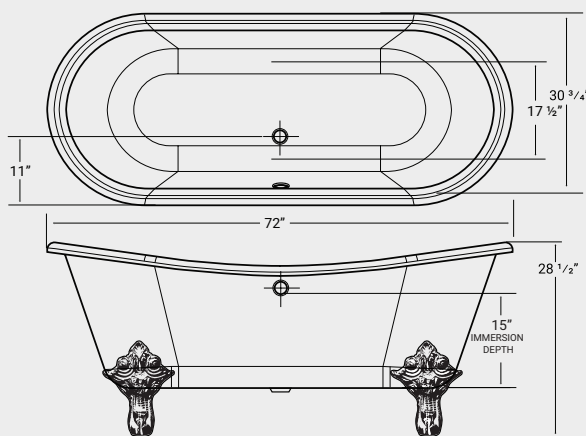


| | |
|---------------|-------------------|
| Part # | List Price |
| 48035 | \$5,940 |

Dimensions:
72" x 30 3/4" x 28 1/2"

Immersion Depth:
15"

Capacity
57 US gallons



Waste & Overflow Kits

- Chrome Clicker
- Part # - **01076**\$340
- Chrome Clicker, Plug & Chain
- Part # - **01060**\$340

Pillows

- **08010** \$100
- **08012** \$140
- **08014** \$120
- **08016** \$270

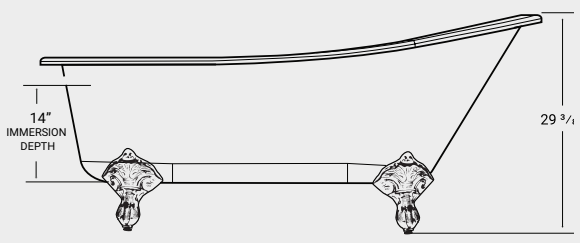
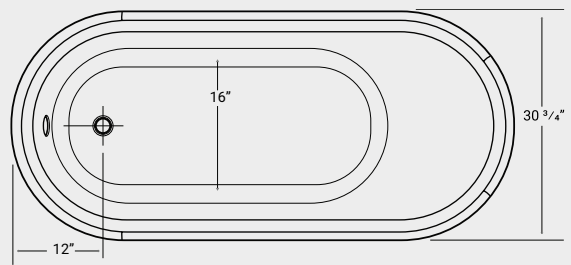




Triton

CAST IRON

CLAWFOOT



| Name | Part # | Dimensions | Height | Immersion Depth | Capacity | MSRP |
|------|--------|-------------------|---------|-----------------|-----------|---------|
| 61" | 48020 | 61" x 30 3/4" | 29 3/8" | 14" | 45 US Gal | \$3,560 |
| 67" | 48022 | 66 7/8" x 30 3/4" | 29 3/8" | 14" | 50 US Gal | \$3,920 |

Waste & Overflow Kits

- Chrome Clicker
- Part # - **01076**.....\$340
- Chrome Clicker, Plug & Chain
- Part # - **01060**.....\$340

Pillows

- **08010** \$100
- **08012** \$140
- **08014** \$120
- **08016** \$270





Freestanding Bath Quick Reference

Upgrades & Accessories

Acrylic

Upgrade Compatibility.....78
 Options 80
 Accessories & Compatibility...82

Cast Iron

Upgrade & Accessories.....83

Composite

Upgrade & Accessories.....84

Acrylic

| 54" - 62" | Dimensions | Part # | MSRP | Page |
|-----------------------|-----------------------------|---------|---------|------|
| Bordeaux | 60 5/8" x 32" x 25 3/4" | 44370 | \$1,200 | 89 |
| Cadence | 59" x 31 1/2" x 23 5/8" | 44403 | \$3,000 | 90 |
| Claude 54 | 54" x 31 1/8" x 28 3/8" | 44330 | \$3,300 | 93 |
| Claude 59 | 59" x 27 3/4" x 27 3/4" | 44331 | \$2,020 | 93 |
| Ofuro | 55 1/8" x 28 3/4" x 30 5/8" | 44294 | \$3,200 | 108 |
| Edo | 47 1/4" x 27" x 28 3/4" | 44293 | \$3,180 | 96 |
| Kahuna 59 | 59" x 29 1/2" x 23" | 45556 | \$2,780 | 103 |
| Marlo | 59 7/8" x 31 7/8" x 23 5/8" | 44343 | \$2,060 | 105 |
| Monaco 54 | 53 3/4" x 31 1/2" x 23 5/8" | 44457 | \$2,380 | 107 |
| Monaco 59 | 59" x 31 1/2" x 23 5/8" | 44459 | \$2,390 | 107 |
| Olivia | 60" x 31 1/2" x 30" | 44329 | \$2,950 | 110 |
| Renoir 59 | 59" x 29 1/2" x 23 1/2" | 44313 | \$2,970 | 113 |
| Toulon | 59" x 31 1/2" x 23 5/8" | 44466 | \$2,900 | 119 |
| Turin | 59" x 31 5/8" x 30 5/8" | 44318 | \$2,500 | 121 |
| Vanessa (Closed Back) | 59" x 29 5/8" x 22 7/8" | 44335.1 | \$2,040 | 123 |
| Valencia 59 | 59" x 31 1/2" x 24" | 44472 | \$2,200 | 122 |
| Verona 59 | 59" x 31 1/2" x 22 7/8" | 45554 | \$2,720 | 124 |
| Zaria | 59 1/4" x 29 5/8" x 23 5/8" | 44380 | \$2,980 | 126 |



| 63" - 65" | Dimensions | Part # | MSRP | Page |
|------------------|-----------------------------|---------------|-------------|-------------|
| Catalina | 63" x 35 1/2" x 22 7/8" | 44425 | \$2,700 | 91 |
| Geneva | 63" x 29 1/2" x 23 5/8" | 44469 | \$2,700 | 99 |
| Grenoble 61 | 61" x 29" x 22" | 45550 | \$2,300 | 100 |
| Grenoble 65 | 65" x 29" x 22" | 45551 | \$2,700 | 100 |
| Marseille | 62 5/8" x 29 5/8" x 22 1/2" | 44351 | \$2,950 | 106 |
| Monaco 63 | 63" x 31 3/8" x 23 5/8" | 44460 | \$2,750 | 107 |
| Olympia 65 - WHT | 65 3/8" x 27 1/2" x 23 5/8" | 44467 | \$5,100 | 109 |
| Olympia 65 - BLK | 65 3/8" x 27 1/2" x 23 5/8" | 44468 | \$5,300 | 109 |

| 66" - 69" | Dimensions | Part # | MSRP | Page |
|------------------|-----------------------------|---------------|-------------|-------------|
| Antoine | 66 1/4" x 31 1/8" x 28 3/4" | 44369 | \$3,300 | 86 |
| Arya | 68 1/2" x 30 7/8" x 30 1/4" | 44317 | \$2,300 | 87 |
| Bianca | 67" x 29" x 33" | 44345 | \$3,900 | 88 |
| Clarice | 67" x 33 1/2" x 23 1/4" | 44407 | \$2,800 | 92 |
| Claude 67 | 67" x 29 1/8" x 27 1/2" | 44332 | \$3,100 | 93 |
| Daphne | 67" x 33 1/2" x 22 7/8" | 44408 | \$2,800 | 94 |
| Degas | 67" x 29 1/2" x 28 3/8" | 46055 | \$2,950 | 95 |
| Elsie | 66 7/8" x 29 1/2" x 22 7/8" | 44352 | \$3,100 | 97 |
| Hawthorne | 67" x 29 1/2" x 27" | 44361 | \$2,900 | 101 |
| - Grey | 67" x 29 1/2" x 27" | 44362 | \$3,560 | 101 |
| Hayden | 68 1/4" x 28 1/2" x 29 3/4" | 44347 | \$2,180 | 102 |
| - Gold | 68 1/4" x 28 1/2" x 29 3/4" | 44347-06 | \$3,900 | 102 |
| - Silver | 68 1/4" x 28 1/2" x 29 3/4" | 44347-05 | \$3,900 | 102 |
| Kahuna 67 | 67" x 31 1/2" x 23" | 45557 | \$2,800 | 103 |
| Lyon | 66 7/8" x 31 1/4" x 23 1/2" | 44271 | \$2,880 | 104 |
| - Black | 66 7/8" x 31 1/4" x 23 1/2" | 44271_Black | \$3,300 | 104 |
| Monaco 67 | 66 7/8" x 31 1/2" x 23 5/8" | 44462 | \$2,550 | 107 |
| Parma | 67" x 31 1/2" x 23 5/8" | 44323 | \$2,700 | 111 |
| Penelope | 66 1/4" x 31 1/2" x 23 5/8" | 44471 | \$2,580 | 112 |
| Renoir 67 | 67" x 31 1/8" x 23 1/2" | 44315 | \$2,980 | 113 |



| 66" - 69" | Dimensions | Part # | MSRP | Page |
|------------------|--|---------------|-------------|-------------|
| Sandor | 68 $\frac{3}{4}$ " x 31" x 27 $\frac{3}{8}$ " | 44337 | \$2,020 | 114 |
| Sansa | 69" x 31 $\frac{1}{8}$ " x 27" | 44327 | \$3,500 | 115 |
| Sherin | 67" x 29 $\frac{1}{2}$ " x 27 $\frac{1}{2}$ " | 44333 | \$3,000 | 116 |
| Siena | 65 $\frac{3}{4}$ " x 35 $\frac{7}{8}$ " x 27 $\frac{1}{8}$ " | 44475 | \$2,400 | 117 |
| Theo | 68 $\frac{1}{2}$ " x 31 $\frac{1}{2}$ " x 26 $\frac{3}{4}$ " | 44377 | \$2,400 | 118 |
| - Gold | 68 $\frac{1}{2}$ " x 31 $\frac{1}{2}$ " x 26 $\frac{3}{4}$ " | 44377-06 | \$4,690 | 118 |
| - Silver | 68 $\frac{1}{2}$ " x 31 $\frac{1}{2}$ " x 26 $\frac{3}{4}$ " | 44377-05 | \$4,690 | 118 |
| Tours | 66 $\frac{3}{4}$ " x 31 $\frac{1}{2}$ " x 23 $\frac{1}{4}$ " | 44322 | \$2,300 | 120 |
| Valencia 67 | 67" x 31 $\frac{1}{2}$ " x 24" | 44473 | \$2,200 | 122 |
| Verona 67 | 67" x 31 $\frac{1}{2}$ " x 24 $\frac{1}{2}$ " | 45555 | \$2,900 | 124 |
| Zaragoza 67 | 67" x 32" x 21 $\frac{7}{8}$ " | 44320 - MT | \$3,100 | 125 |
| Zaragoza 67 | 67" x 32" x 21 $\frac{7}{8}$ " | 44320 - GL | \$3,100 | 125 |

| 70"+ | Dimensions | Part # | MSRP | Page |
|-------------|--|---------------|-------------|-------------|
| Florence | 70 $\frac{7}{8}$ " x 31 $\frac{1}{2}$ " x 31 $\frac{1}{2}$ " | 44480 | \$3,900 | 98 |



Freestanding Cast Iron Bath Quick Reference

Cast Iron

| 66" | Dimensions | Part # | MSRP | Page |
|---------------------|---------------------|----------|----------|------|
| Kraken White Skirt | 66" x 28" x 29" | 48042 | \$8,750 | 127 |
| 67" | Dimensions | Part # | MSRP | Page |
| Lusca Skirt - White | 67" x 26 1/2" x 28" | 48040 | \$7,650 | 128 |
| - Black | 67" x 26 1/2" x 28" | 48040-05 | \$8,100 | 128 |
| - Mirror | 67" x 26 1/2" x 28" | 48040-08 | \$10,890 | 128 |
| Makara | 66 7/8" x 30" x 32" | 48025 | \$8,750 | 129 |

Freestanding Composite Bath Quick Reference

Composite

| 63"-65" | Dimensions | Part # | MSRP | Page |
|----------|-----------------------------|--------|---------|------|
| Aida | 63" x 34" x 22 7/8" | 46520 | \$6,950 | 130 |
| Palermo | 63 3/8" x 28" x 22 1/4" | 46507 | \$4,240 | 135 |
| 66"-69" | Dimensions | Part # | MSRP | Page |
| Delfina | 66 5/8" x 30 1/4" x 21" | 46522 | \$7,460 | 131 |
| Justina | 66 1/2" x 29 3/4" x 28 3/4" | 46524 | \$6,760 | 134 |
| Juliet | 67 1/4" x 31 1/4" x 22 1/2" | 46521 | \$5,724 | 133 |
| Poeta | 67 1/2" x 31 1/2" x 21 1/4" | 46523 | \$7,210 | 136 |
| Gauguin | 68" x 40 1/2" x 25 3/4" | 46512 | \$4,090 | 132 |
| 70"+ | Dimensions | Part # | MSRP | Page |
| Sicilian | 70 3/4" x 31 1/2" x 21 1/2" | 46513 | \$6,540 | 137 |



Freestanding Bath Upgrades

Chromatherapy

Immerse yourself within a sea of light created by a dual mini-light Chromatherapy system. Bathers can choose between red, orange, yellow, green, blue, turquoise, and magenta, or cycle through a range of 9 blended colours. Combine Chromatherapy with a massage system to create a total spa experience.

Lateral Air

16 jets mounted around the perimeter of the bathing well infuse the water with a soothing stream of massaging bubbles. A ceramic heating core preheats the air as a 600-Watt Panasonic™ blower delivers a steady stream of warm air bubbles to the bather. Use the variable speed control pad to vary the intensity of the massage to your mood.

Enjoy peace of mind in knowing that all blowers are preprogrammed with an auto-drying cycle to clean and dry the system after every use.

Roughin EZ

The Roughin EZ Drain provides an easy way to install a free standing bathtub. Kit includes a reusable test plug, twist lock coupling, brass tailpiece, nut and flat washer.

ComfortWarm™

ComfortWarm™ uses radiant heat technology to directly heat the surface of the bathtub's back-rest. Use the three heat settings to adjust the heat intensity at any time with a simple press of the electronic touchpad.

VIBE Sound

The Vibe System allows you to enjoy your music or radio at the touch of a button in your shower or bathtub. The vibes of the music are synchronized with a Chromatherapy system that will change colors in synch with every beat of your favorite music.

Aromatherapy

Only a few drops of fragrance are needed. The system works using a pump which leads the air towards the receptacle which is filled with a combination of water and a few essential oil drops. Once the aromatherapy system is turned on, the diffuser spreads the natural scent of the essential oil into the ambient air.



Freestanding Acrylic Bath Upgrade Compatibility

| Products | ComfortWarm™ | Roughin EZ | Chromatherapy | Lateral Air | VIBE Sound | Aromatherapy | Deck Mount |
|-----------|--------------|------------|---------------|-------------|------------|--------------|------------|
| Antoine | x2 | + | n/a | n/a | II | n/a | n/a |
| Arya | n/a | + | n/a | n/a | II | n/a | n/a |
| Bordeaux | x1 | + | + | + | I or II | + | + |
| Bianca | n/a | + | n/a | n/a | II | n/a | n/a |
| Cadence | x2 | + | + | n/a | II | n/a | n/a |
| Catalina | x1 | + | + | + | I or II | + | + |
| Clarice | x2 | + | + | + | I or II | + | + |
| Claude | x1 | + | n/a | n/a | II | n/a | n/a |
| Daphne | x2 | + | + | + | I or II | + | + |
| Degas | n/a | + | n/a | n/a | II | n/a | n/a |
| Edo | x1 | + | + | + | I or II | n/a | n/a |
| Elsie | x2 | + | n/a | n/a | II | n/a | n/a |
| Florence | n/a | + | n/a | n/a | II | n/a | n/a |
| Geneva | x2 | + | + | n/a | I or II | + | + |
| Grenoble | x2 | + | + | n/a | I or II | + | + |
| Hawthorne | n/a | + | n/a | n/a | II | n/a | n/a |
| Hayden | x2 | + | n/a | n/a | I or II | n/a | n/a |
| Kahuna | x2 | + | n/a | n/a | II | n/a | n/a |
| Lyon | x2 | + | + | + | I or II | + | + |
| Marlo | x1 | + | + | + | I or II | + | + |
| Marseille | x2 | + | + | + | I or II | + | n/a |
| Monaco | x2 | + | n/a | n/a | II | n/a | n/a |
| Ofuro | x1 | + | + | + | II | + | + |
| Olivia | x1 | + | + | + | I or II | + | + |
| Olympia | x2 | + | n/a | n/a | I or II | n/a | n/a |
| Parma | x2 | + | + | + | I or II | + | n/a |
| Penelope | x2 | + | n/a | n/a | I or II | n/a | n/a |
| Renoir | x2 | + | + | + | II | n/a | - |
| Sandor | n/a | + | n/a | n/a | II | n/a | - |

* n/a = not available * + = available

*VIBE Sound I = Keypad, VIBE Sound II = Remote Control



Freestanding Acrylic Bath Upgrade Compatibility

| Products | ComfortWarm™ | Roughin EZ | Chromatherapy | Lateral Air | VIBE Sound | Aromatherapy | Deck Mount |
|--------------------------|--------------|------------|---------------|-------------|------------|--------------|------------|
| Sansa | n/a | + | n/a | n/a | II | n/a | n/a |
| Sherin | x1 | + | n/a | n/a | I or II | n/a | + |
| Siena | x2 | + | + | n/a | I or II | + | + |
| Theo | x2 | + | n/a | n/a | II | n/a | n/a |
| Toulon | x2 | + | + | + | I or II | n/a | + |
| Tours | x2 | + | n/a | n/a | II | n/a | n/a |
| Turin | x1 | + | + | n/a | I or II | + | + |
| Valencia | x2 | + | n/a | n/a | II | n/a | n/a |
| Vanessa (Closed Back) | x2 | + | + | n/a | I or II | + | n/a |
| Verona | x2 | + | + | n/a | I or II | n/a | n/a |
| Zaragoza | n/a | + | + | n/a | I or II | n/a | n/a |
| Zaria | n/a | + | n/a | n/a | II | n/a | n/a |

* n/a = not available

* + = available

*VIBE Sound I = Keypad, VIBE Sound II = Remote Control

Please note for putting together multiple upgrades contact Acritec Customer Service at customerservice@acritec.com.

Freestanding Acrylic Bath Upgrade Options

Lateral Air

| | Part # | MSRP |
|--|--------|---------|
| 16 Jet Air System | | |
| - White | 00021 | \$2,150 |
| - Brushed Nickel | 00023 | \$2,430 |
| - Polished Chrome | 00024 | \$2,300 |
| - Remote control for air blower | 00133 | \$480 |
| - Remote Location kit for air blower (12' extra cable & hose) | 00131 | \$330 |
| Sound Deadening Pump Pad | 00160 | \$50 |
| Variable Air Blower (Replacement) | 00180 | \$770 |
| Custom Jet System | 00155 | \$250 |





Freestanding Acrylic Bath Upgrade Options

| Chromatherapy Lights | Part # | MSRP |
|----------------------|--------|-------|
| 2 x White Finish | 01020 | \$580 |
| 2 x Chrome Finish | 01021 | \$580 |



| VIBE Sound System | | |
|---|-------|---------|
| VIBE I + Chromatherapy Lights | | |
| 2x Speakers + 2x Chromatherapy Lights (White Finish) + Advanced Keypad | 01022 | \$1,970 |
| 2x Speakers + 2x Chromatherapy Lights (Chrome Finish) + Advanced Keypad | 01023 | \$1,970 |
| VIBE II + Chromatherapy Lights (For Most Freestanding Tubs) | | |
| 2x Speakers + 2x Chromatherapy Lights (White Finish) + Remote Control | 01024 | \$2,450 |
| 2x Speakers + 2x Chromatherapy Lights (Chrome Finish) + Remote Control | 01025 | \$2,450 |



| Aromatherapy System | | |
|--------------------------|-------|-------|
| Diffuser System + Keypad | 01030 | \$500 |



| ComfortWarm™ | Part # | MSRP |
|--|----------|---------|
| 1x ComfortWarm™ Heated Backrest (70W) | 01040-01 | \$1,020 |
| 2x ComfortWarm™ Heated Backrests (2x35W) | 01040-02 | \$1,260 |

| Roughin EZ | Part # | MSRP |
|-----------------------------|--------|-------|
| Easy installation drain kit | 01086 | \$130 |

Roughin EZ

The Roughin EZ Drain provides an easy way to install a free standing bathtub. Kit includes a reusable test plug, twist lock coupling, brass tailpiece, nut and flat washer.





Freestanding Acrylic Bath Accessories

Pop-up Drain Only (for slotted free-standing tubs)

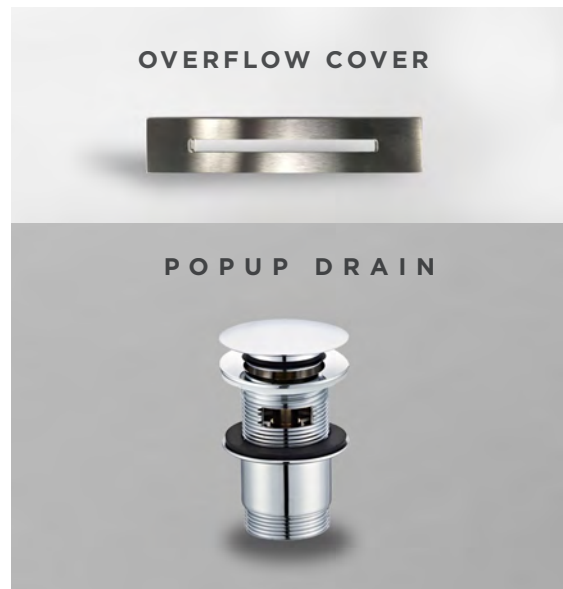
| | Part # | MSRP |
|-------------------|--------|-------|
| Polished Chrome | 01089 | \$90 |
| Brushed Nickel | 01091 | \$110 |
| Matte Black | 01092 | \$130 |
| Oil Rubbed Bronze | 01093 | \$130 |
| Polished Gold | 01094 | \$140 |
| White | 01095 | \$110 |



Pop-up Drain + Overflow Cover Plate

| | Part # | MSRP |
|------------------------------------|--------|-------|
| Polished Chrome (cover plate only) | 01085 | \$220 |
| Brushed Nickel | 01080 | \$460 |
| Matte Black | 01084 | \$310 |
| Oil Rubbed Bronze | 01079 | \$530 |
| Polished Gold | 01078 | \$610 |

*Overflow cover plate for upgraded finishes need to be factory installed.



Replacement Parts for Pop-up Drain

| | Part # | MSRP |
|---------------------------------|---------|------|
| Brass Assembly for Pop-up Drain | 01098 | \$40 |
| Gasket (Replacement) | 01099-G | \$10 |
| Cartridge (Replacement) | 01099-C | \$40 |



Freestanding Acrylic Bath Accessories Compatibility

Drain & Overflow Cover Upgraded Finishes

| Products | Chrome | Brushed Nickel | Black | Oil Rubbed Bronze | Gold |
|-----------------------|--------|----------------|-------|-------------------|------|
| Antoine | + | + | + | + | + |
| Arya | + | + | + | + | + |
| Bordeaux | + | + | + | + | + |
| Bianca | + | + | + | + | + |
| Cadence | + | + | + | + | + |
| Catalina | + | + | + | + | + |
| Clarice | + | + | + | + | + |
| Claude 54/59/67 | + | + | + | + | + |
| Daphne | + | + | + | + | + |
| Degas | + | + | + | + | + |
| Edo | + | + | + | + | + |
| Elsie | + | + | + | + | + |
| Florence | + | + | + | + | + |
| Geneva | + | + | + | + | + |
| Grenoble 61/65 | + | + | + | + | + |
| Hawthorne | + | + | + | + | + |
| Hayden | + | + | + | + | + |
| Kahuna 59/67 | + | + | + | + | + |
| Lyon | + | + | + | + | + |
| Marlo | + | + | + | + | + |
| Marseille | + | + | + | + | + |
| Monaco | + | + | + | + | + |
| Ofuro | + | + | + | + | + |
| Olivia | + | + | + | + | + |
| Olympia | + | + | + | + | + |
| Parma | + | + | + | + | + |
| Penelope | + | + | + | + | + |
| Renoir 59/67 | + | + | + | + | + |
| Sandor | + | + | + | + | + |
| Sansa | + | + | + | + | + |
| Sherin | + | + | + | + | + |
| Siena | + | + | + | + | + |
| Theo | + | + | + | + | + |
| Toulon | + | + | + | + | + |
| Tours | + | + | + | + | + |
| Turin | + | + | + | + | + |
| Vanessa (Closed Back) | + | + | + | + | + |
| Valencia | + | + | + | + | + |
| Verona | + | + | + | + | + |
| Zaragoza | + | + | + | + | + |
| Zaria | + | + | + | + | + |



Freestanding Cast Iron Bath Accessories

Freestanding Cast Iron Bath Upgrades & Accessories Compatibility

Waste & Overflow Chrome

Part #: 01060 \$340

Chrome waste & overflow kit

CLICKER and PLUG & CHAIN

| Products | Waste & Overflow (Chrome) |
|----------|---------------------------|
| Kraken | + |
| Lusca | + |
| Makara | + |

* n/a = not available * + = available





Freestanding Composite Bath Upgrade Compatibility

| Products | n/a |
|-----------------|------------|
| Aida | n/a |
| Delfina | n/a |
| Juliet | n/a |
| Justina | n/a |
| Poeta | n/a |
| Gauguin | n/a |
| Palermo | n/a |
| Sicilian | n/a |

* n/a = not available * + = available



Bath Pillows



08010

Pillow | Contoured | Compatible with all Acritec baths

Dimensions

11 7/8" x 4 3/8"

Colour

Black

MSRP - \$100



08012

Pillow | Premium | Compatible with all Acritec baths

Dimensions

11 1/2" x 6 1/2"

Colour

Black

MSRP - \$140



08014

Pillow | Contoured | For baths with rounded backrests

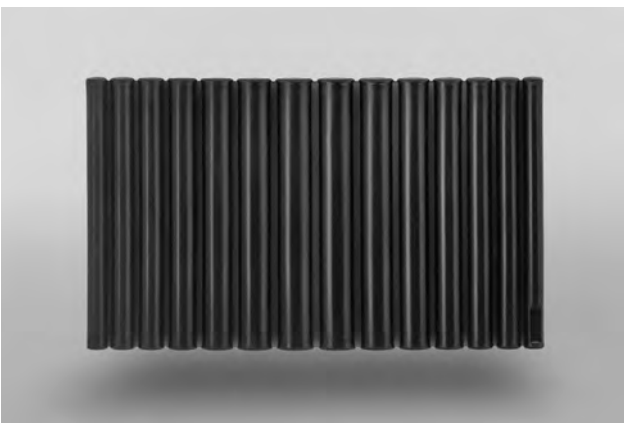
Dimensions

11 1/2" x 3 1/8"

Colour

Black

MSRP - \$120



08016

Pillow | Premium | Compatible with all Acritec baths

Dimensions

15 3/4" x 10 1/4"

Colour

Black

MSRP - \$270

Antoine

ACRYLIC

FREESTANDING

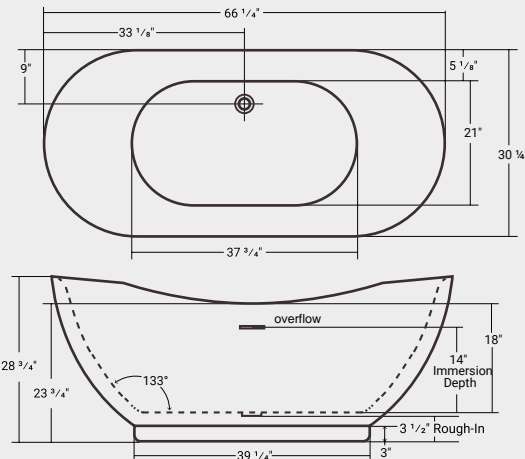


| Part# | List Price |
|-------|------------|
| 44369 | \$3,300 |

Dimensions:
66 1/4" x 30 1/4" x 28 3/4"

Immersion Depth:
14"

Capacity
50 US gallons



*** Rough-in EZ available for easy installation

Drain & Overflow

Pop-up Drain

- Polished Chrome - **01089**.....\$90
- Brushed Nickel - **01091**.....\$110
- Matte Black - **01092**.....\$130
- Oil Rubbed Bronze - **01093**.....\$130
- Polished Gold - **01094**.....\$140
- White (Default)- **01095**.....\$110

Overflow Cover Plate & Pop-up Drain

- Brushed Nickel - **01080**.....\$460
- Matte Black - **01084**.....\$310
- Oil Rubbed Bronze - **01079**.....\$530
- Polished Gold - **01078**.....\$610

Upgrades

Chromatherapy

- White - **01020**.....\$580
- Polished Chrome - **01021**.....\$580

Comfort Warm™

- Single - **01040-01**.....\$1,020
- Dual - **01040-02**.....\$1,260

Aromatherapy

- Aromatherapy - **01030**.....\$500

Vibe Sound System - See Page - 80

Jetting Options

16 Jet Air System

- White - 00021.....\$2,150
- Brushed Nickel - 00023.....\$2,430
- Polished Chrome - 00024.....\$2,300

Rough-in Ez - 01086.....\$130

Additional Upgrades

See Page - 80 - 81





Arya

ACRYLIC

FREESTANDING

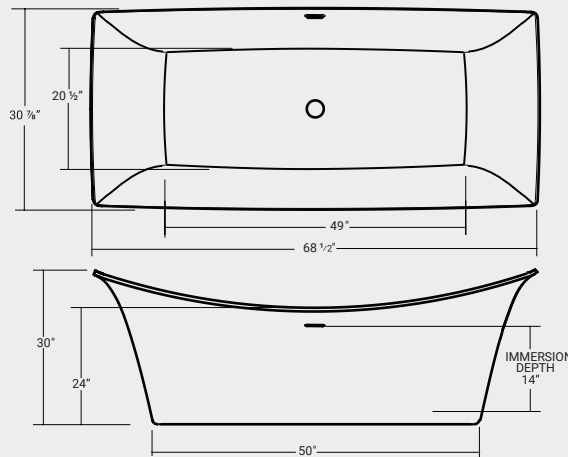


| Part# | List Price |
|-------|------------|
| 44317 | \$2,300 |

Dimensions:
68 1/2" x 30 7/8" x 30"

Immersion Depth:
14"

Capacity
68 US gallons



*** Rough-in EZ available for easy installation

Drain & Overflow

Pop-up Drain

- Polished Chrome - **01089**.....\$90
- Brushed Nickel - **01091**.....\$110
- Matte Black - **01092**.....\$130
- Oil Rubbed Bronze - **01093**.....\$130
- Polished Gold - **01094**.....\$140
- White (Default)- **01095**.....\$110

Overflow Cover Plate & Pop-up Drain

- Brushed Nickel - **01080**.....\$460
- Matte Black - **01084**.....\$310
- Oil Rubbed Bronze - **01079**.....\$530
- Polished Gold - **01078**.....\$610

Upgrades

Chromatherapy

- White - **01020**.....\$580
- Polished Chrome - **01021**.....\$580

Comfort Warm™

- Single - **01040-01**.....\$1,020
- Dual - **01040-02**.....\$1,260

Aromatherapy

- Aromatherapy - **01030**.....\$500

Vibe Sound System - See Page - 80

Jetting Options

16 Jet Air System

- White - 00021.....\$2,150
- Brushed Nickel - 00023.....\$2,430
- Polished Chrome - 00024.....\$2,300

Rough-in Ez - 01086.....\$130

Additional Upgrades

See Page - 80 - 81



Bianca

ACRYLIC

FREESTANDING



Part# **List Price**
 44345 \$3,900

Dimensions:

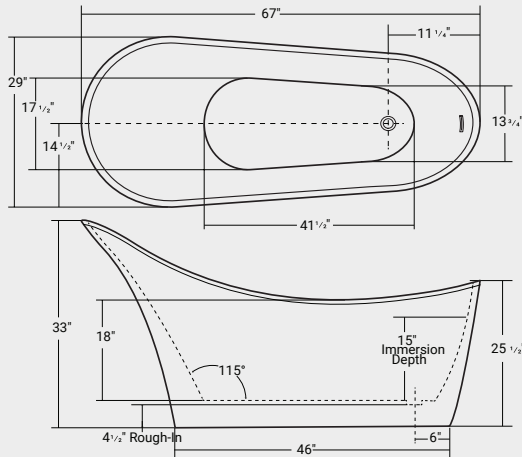
67" x 29" x 33"

Immersion Depth:

15"

Capacity

54 US gallons



*** Rough-in EZ available for easy installation

Drain & Overflow

Pop-up Drain

- Polished Chrome - **01089**.....\$90
- Brushed Nickel - **01091**.....\$110
- Matte Black - **01092**.....\$130
- Oil Rubbed Bronze - **01093**.....\$130
- Polished Gold - **01094**.....\$140
- White (Default)- **01095**.....\$110

Overflow Cover Plate & Pop-up Drain

- Brushed Nickel - **01080**.....\$460
- Matte Black - **01084**.....\$310
- Oil Rubbed Bronze - **01079**.....\$530
- Polished Gold - **01078**.....\$610

Upgrades

Chromatherapy

- White - **01020**.....\$580
- Polished Chrome - **01021**.....\$580

Comfort Warm™

- Single - **01040-01**.....\$1,020
- Dual - **01040-02**.....\$1,260

Aromatherapy

- Aromatherapy - **01030**.....\$500

Vibe Sound System - See Page - 80

Jetting Options

16 Jet Air System

- White - 00021.....\$2,150
- Brushed Nickel - 00023.....\$2,430
- Polished Chrome - 00024.....\$2,300

Rough-in Ez - 01086.....\$130

Additional Upgrades

See Page - 80 - 81





Bordeaux

NEW

ACRYLIC

FREESTANDING



| Part# | List Price |
|-------|------------|
| 44370 | \$1,200 |

Dimensions:

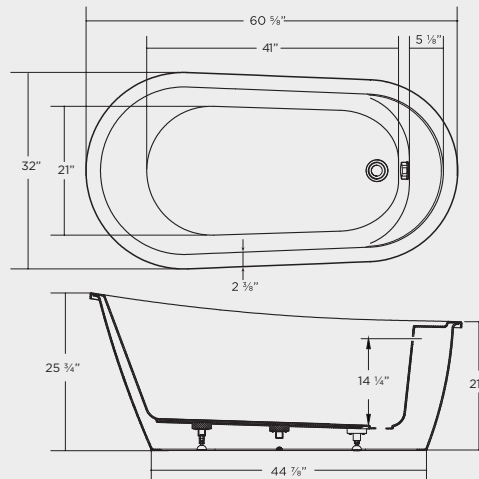
60 5/8" x 32" x 25 3/4"

Immersion Depth:

14 1/4"

Capacity

62 US Gallons



*** Rough-in EZ available for easy installation

Drain & Overflow

Pop-up Drain

- Polished Chrome - **01089**.....\$90
- Brushed Nickel - **01091**.....\$110
- Matte Black - **01092**.....\$130
- Oil Rubbed Bronze - **01093**.....\$130
- Polished Gold - **01094**.....\$140
- White (Default)- **01095**.....\$110

Overflow Cover Plate & Pop-up Drain

- Brushed Nickel - **01080**.....\$460
- Matte Black - **01084**.....\$310
- Oil Rubbed Bronze - **01079**.....\$530
- Polished Gold - **01078**.....\$610

Upgrades

Chromatherapy

- White - **01020**.....\$580
- Polished Chrome - **01021**.....\$580

Comfort Warm™

- Single - **01040-01**.....\$1,020
- Dual - **01040-02**.....\$1,260

Aromatherapy

- Aromatherapy - **01030**.....\$500

Vibe Sound System - See Page - 80

Jetting Options

16 Jet Air System

- White - 00021.....\$2,150
- Brushed Nickel - 00023.....\$2,430
- Polished Chrome - 00024.....\$2,300

Rough-in Ez - 01086.....\$130

Additional Upgrades

See Page - 80 - 81





Cadence

ACRYLIC

FREESTANDING



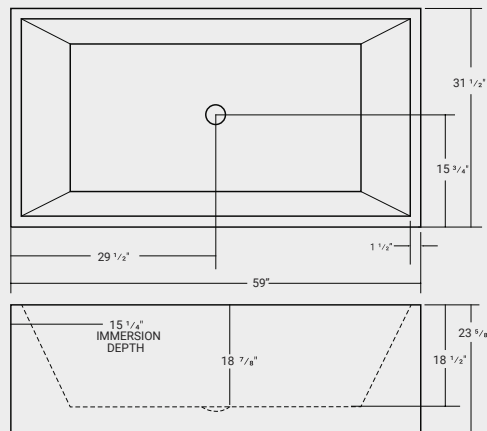
Faucet not included

| Part# | List Price |
|-------|------------|
| 44403 | \$3,000 |

Dimensions:
59" x 31 1/2" x 23 5/8"

Immersion Depth:
15 1/4"

Capacity
65 US gallons



*** Rough-in EZ available for easy installation

Drain & Overflow

Pop-up Drain

- Polished Chrome - **01089**.....\$90
- Brushed Nickel - **01091**.....\$110
- Matte Black - **01092**.....\$130
- Oil Rubbed Bronze - **01093**.....\$130
- Polished Gold - **01094**.....\$140
- White (Default)- **01095**.....\$110

Overflow Cover Plate & Pop-up Drain

- Brushed Nickel - **01080**.....\$460
- Matte Black - **01084**.....\$310
- Oil Rubbed Bronze - **01079**.....\$530
- Polished Gold - **01078**.....\$610

Upgrades

Chromatherapy

- White - **01020**.....\$580
- Polished Chrome - **01021**.....\$580

Comfort Warm™

- Single - **01040-01**.....\$1,020
- Dual - **01040-02**.....\$1,260

Aromatherapy

- Aromatherapy - **01030**.....\$500

Vibe Sound System - See Page - 80

Jetting Options

16 Jet Air System

- White - 00021.....\$2,150
- Brushed Nickel - 00023.....\$2,430
- Polished Chrome - 00024.....\$2,300

Rough-in Ez - 01086.....\$130

Additional Upgrades

See Page - 80 - 81





Catalina

ACRYLIC

FREESTANDING



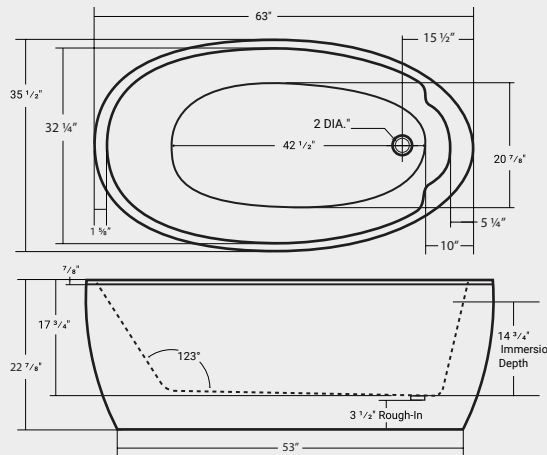
Faucet not included

| Part# | List Price |
|-------|------------|
| 44425 | \$2,700 |

Dimensions:
63" x 35 1/2" x 22 7/8"

Immersion Depth:
14 3/4"

Capacity
75 US gallons



*** Rough-in EZ available for easy installation

Drain & Overflow

Pop-up Drain

- Polished Chrome - **01089**.....\$90
- Brushed Nickel - **01091**.....\$110
- Matte Black - **01092**.....\$130
- Oil Rubbed Bronze - **01093**.....\$130
- Polished Gold - **01094**.....\$140
- White (Default)- **01095**.....\$110

Overflow Cover Plate & Pop-up Drain

- Brushed Nickel - **01080**.....\$460
- Matte Black - **01084**.....\$310
- Oil Rubbed Bronze - **01079**.....\$530
- Polished Gold - **01078**.....\$610

Upgrades

Chromatherapy

- White - **01020**.....\$580
- Polished Chrome - **01021**.....\$580

Comfort Warm™

- Single - **01040-01**.....\$1,020
- Dual - **01040-02**.....\$1,260

Aromatherapy

- Aromatherapy - **01030**.....\$500

Vibe Sound System - See Page - 80

Jetting Options

16 Jet Air System

- White - 00021.....\$2,150
- Brushed Nickel - 00023.....\$2,430
- Polished Chrome - 00024.....\$2,300

Rough-in Ez - 01086.....\$130

Additional Upgrades

See Page - 80 - 81



Clarice

ACRYLIC

FREESTANDING



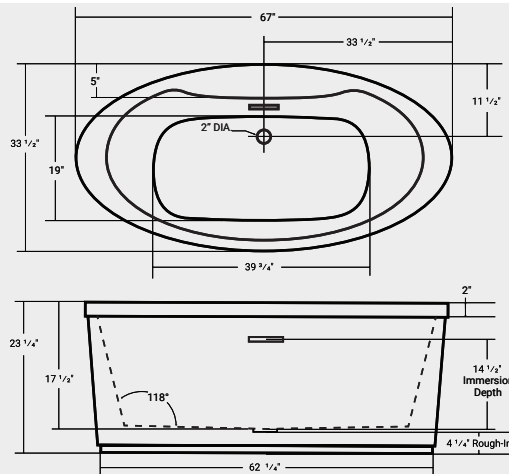
Faucet not included

| Part# | List Price |
|-------|------------|
| 44407 | \$2,800 |

Dimensions:
67" x 33 1/2" x 23 1/4"

Immersion Depth:
14 1/2"

Capacity
62 US Gal



*** Rough-in EZ available for easy installation

Drain & Overflow

Pop-up Drain

- Polished Chrome - **01089**.....\$90
- Brushed Nickel - **01091**.....\$110
- Matte Black - **01092**.....\$130
- Oil Rubbed Bronze - **01093**.....\$130
- Polished Gold - **01094**.....\$140
- White (Default)- **01095**.....\$110

Overflow Cover Plate & Pop-up Drain

- Brushed Nickel - **01080**.....\$460
- Matte Black - **01084**.....\$310
- Oil Rubbed Bronze - **01079**.....\$530
- Polished Gold - **01078**.....\$610

Upgrades

Chromatherapy

- White - **01020**.....\$580
- Polished Chrome - **01021**.....\$580

Comfort Warm™

- Single - **01040-01**.....\$1,020
- Dual - **01040-02**.....\$1,260

Aromatherapy

- Aromatherapy - **01030**.....\$500

Vibe Sound System - See Page - 80

Jetting Options

16 Jet Air System

- White - 00021.....\$2,150
- Brushed Nickel - 00023.....\$2,430
- Polished Chrome - 00024.....\$2,300

Rough-in Ez - 01086.....\$130

Additional Upgrades

See Page - 80 - 81



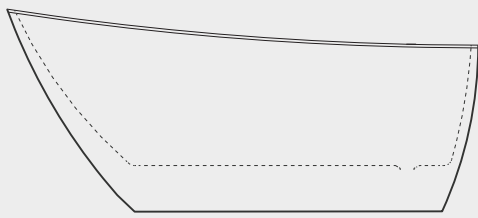
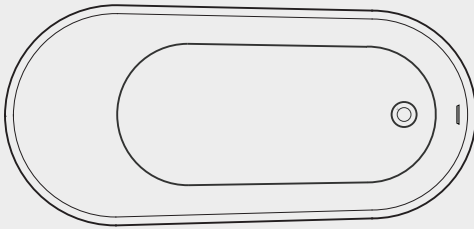


Claude

ACRYLIC



FREESTANDING



| Name | Part # | Dimensions | Height | Immersion Depth | Capacity | MSRP |
|------|--------|---------------|---------|-----------------|-----------|---------|
| 54" | 44330 | 54" x 31 1/8" | 28 3/8" | 14 1/2" | 45 US Gal | \$3,300 |
| 59" | 44331 | 59" x 28" | 27 3/4" | 15 1/4" | 60 US Gal | \$2,020 |
| 67" | 44332 | 67" x 29 1/8" | 27 1/2" | 14 1/4" | 70 US Gal | \$3,100 |

*** Rough-in EZ available for easy installation

Drain & Overflow

- Pop-up Drain**
- Polished Chrome - **01089**.....\$90
 - Brushed Nickel - **01091**.....\$110
 - Matte Black - **01092**.....\$130
 - Oil Rubbed Bronze - **01093**.....\$130
 - Polished Gold - **01094**.....\$140
 - White (Default)- **01095**.....\$110

Overflow Cover Plate & Pop-up Drain

- Brushed Nickel - **01080**.....\$460
- Matte Black - **01084**.....\$310
- Oil Rubbed Bronze - **01079**.....\$530
- Polished Gold - **01078**.....\$610

Upgrades

- Chromatherapy**
- White - **01020**.....\$580
 - Polished Chrome - **01021**.....\$580
- Comfort Warm™**
- Single - **01040-01**.....\$1,020
 - Dual - **01040-02**.....\$1,260
- Aromatherapy**
- Aromatherapy - **01030**.....\$500
- Vibe Sound System** - See Page - 80

Jetting Options

- 16 Jet Air System**
- White - 00021.....\$2,150
 - Brushed Nickel - 00023.....\$2,430
 - Polished Chrome - 00024.....\$2,300
- Rough-in Ez - 01086.....\$130

Additional Upgrades
See Page - 80 - 81



Daphne

ACRYLIC

FREESTANDING

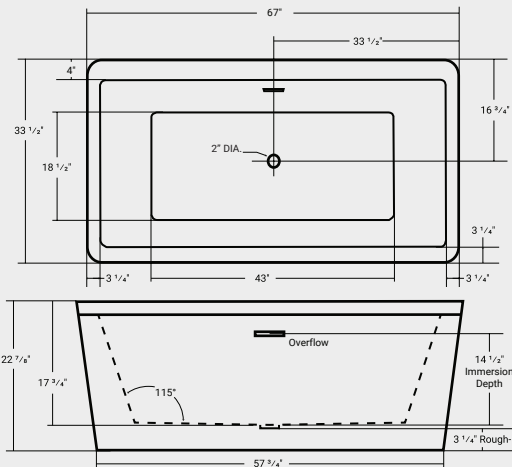


| Part# | List Price |
|-------|------------|
| 44408 | \$2,800 |

Dimensions:
67" x 33 1/2" x 22 7/8"

Immersion Depth:
14 1/2"

Capacity
74 US Gal



*** Rough-in EZ available for easy installation

Drain & Overflow

Pop-up Drain

- Polished Chrome - **01089**.....\$90
- Brushed Nickel - **01091**.....\$110
- Matte Black - **01092**.....\$130
- Oil Rubbed Bronze - **01093**.....\$130
- Polished Gold - **01094**.....\$140
- White (Default)- **01095**.....\$110

Overflow Cover Plate & Pop-up Drain

- Brushed Nickel - **01080**.....\$460
- Matte Black - **01084**.....\$310
- Oil Rubbed Bronze - **01079**.....\$530
- Polished Gold - **01078**.....\$610

Upgrades

Chromatherapy

- White - **01020**.....\$580
- Polished Chrome - **01021**.....\$580

Comfort Warm™

- Single - **01040-01**.....\$1,020
- Dual - **01040-02**.....\$1,260

Aromatherapy

- Aromatherapy - **01030**.....\$500

Vibe Sound System - See Page - 80

Jetting Options

16 Jet Air System

- White - 00021.....\$2,150
- Brushed Nickel - 00023.....\$2,430
- Polished Chrome - 00024.....\$2,300

Rough-in Ez - 01086.....\$130

Additional Upgrades

See Page - 80 - 81





Degas

ACRYLIC

FREESTANDING



| Part# | List Price |
|-------|------------|
| 46055 | \$2,650 |

Dimensions:

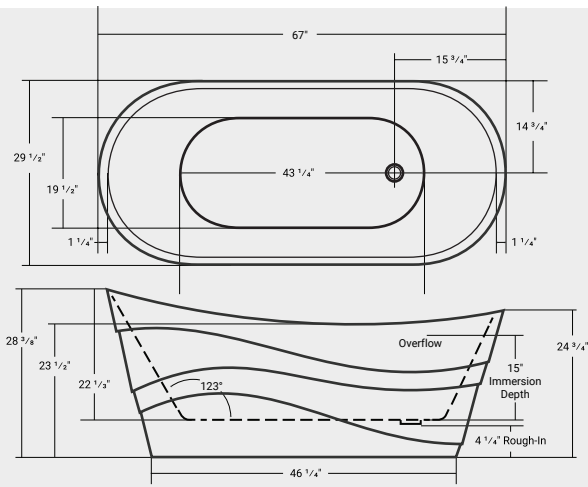
67" x 29 1/2" x 28 3/8"

Immersion Depth:

15"

Capacity

65 US gallons



*** Rough-in EZ available for easy installation

Drain & Overflow

Pop-up Drain

- Polished Chrome - **01089**.....\$90
- Brushed Nickel - **01091**.....\$110
- Matte Black - **01092**.....\$130
- Oil Rubbed Bronze - **01093**.....\$130
- Polished Gold - **01094**.....\$140
- White (Default)- **01095**.....\$110

Overflow Cover Plate & Pop-up Drain

- Brushed Nickel - **01080**.....\$460
- Matte Black - **01084**.....\$310
- Oil Rubbed Bronze - **01079**.....\$530
- Polished Gold - **01078**.....\$610

Upgrades

Chromatherapy

- White - **01020**.....\$580
- Polished Chrome - **01021**.....\$580

Comfort Warm™

- Single - **01040-01**.....\$1,020
- Dual - **01040-02**.....\$1,260

Aromatherapy

- Aromatherapy - **01030**.....\$500

Vibe Sound System - See Page - 80

Jetting Options

16 Jet Air System

- White - 00021.....\$2,150
- Brushed Nickel - 00023.....\$2,430
- Polished Chrome - 00024.....\$2,300

Rough-in Ez - 01086.....\$130

Additional Upgrades

See Page - 80 - 81





Edo

ACRYLIC

NEW

FREESTANDING



| Part# | List Price |
|-------|------------|
| 44293 | \$3,180 |

Dimensions:

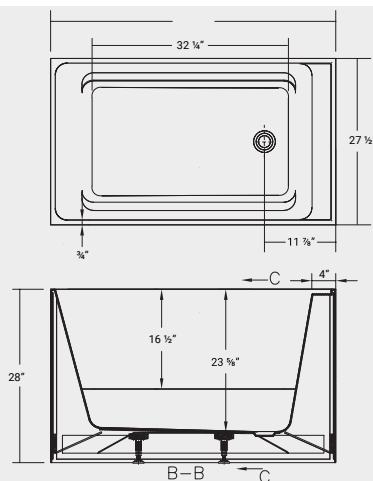
47 1/4" x 27 1/2" x 28 3/4"

Immersion Depth: 23

5/8"

Capacity

82.1 US Gal



*** Rough-in EZ available for easy installation

Drain & Overflow

Pop-up Drain

- Polished Chrome - **01089**.....\$90
- Brushed Nickel - **01091**.....\$110
- Matte Black - **01092**.....\$130
- Oil Rubbed Bronze - **01093**.....\$130
- Polished Gold - **01094**.....\$140
- White (Default)- **01095**.....\$110

Overflow Cover Plate & Pop-up Drain

- Brushed Nickel - **01080**.....\$460
- Matte Black - **01084**.....\$310
- Oil Rubbed Bronze - **01079**.....\$530
- Polished Gold - **01078**.....\$610

Upgrades

Chromatherapy

- White - **01020**.....\$580
- Polished Chrome - **01021**.....\$580

Comfort Warm™

- Single - **01040-01**.....\$1,020
- Dual - **01040-02**.....\$1,260

Aromatherapy

- Aromatherapy - **01030**.....\$500

Vibe Sound System - See Page - 80

Jetting Options

16 Jet Air System

- White - 00021.....\$2,150
- Brushed Nickel - 00023.....\$2,430
- Polished Chrome - 00024.....\$2,300

Rough-in Ez - 01086.....\$130

Additional Upgrades

See Page - 80 - 81





Elsie

ACRYLIC

FREESTANDING

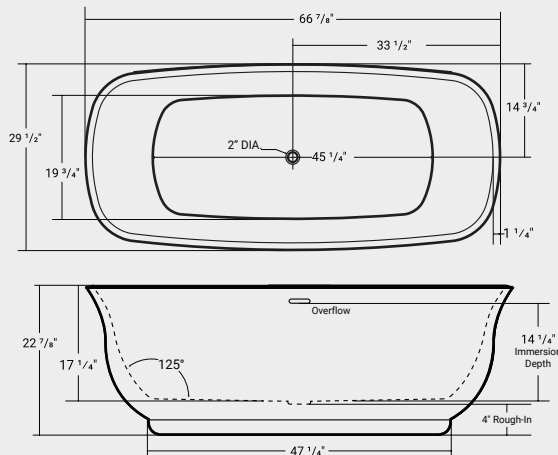


| Part# | List Price |
|-------|------------|
| 44352 | \$3,100 |

Dimensions:
66 7/8" x 29 1/2" x 22 7/8"

Immersion Depth:
14 1/4"

Capacity
66 US Gal



*** Rough-in EZ available for easy installation

Drain & Overflow

Pop-up Drain

- Polished Chrome - **01089**.....\$90
- Brushed Nickel - **01091**.....\$110
- Matte Black - **01092**.....\$130
- Oil Rubbed Bronze - **01093**.....\$130
- Polished Gold - **01094**.....\$140
- White (Default)- **01095**.....\$110

Overflow Cover Plate & Pop-up Drain

- Brushed Nickel - **01080**.....\$460
- Matte Black - **01084**.....\$310
- Oil Rubbed Bronze - **01079**.....\$530
- Polished Gold - **01078**.....\$610

Upgrades

Chromatherapy

- White - **01020**.....\$580
- Polished Chrome - **01021**.....\$580

Comfort Warm™

- Single - **01040-01**.....\$1,020
- Dual - **01040-02**.....\$1,260

Aromatherapy

- Aromatherapy - **01030**.....\$500

Vibe Sound System - See Page - 80

Jetting Options

16 Jet Air System

- White - 00021.....\$2,150
- Brushed Nickel - 00023.....\$2,430
- Polished Chrome - 00024.....\$2,300

Rough-in Ez - 01086.....\$130

Additional Upgrades

See Page - 80 - 81



Florence

ACRYLIC

FREESTANDING



| Part# | List Price |
|-------|------------|
| 44480 | \$3,900 |

Dimensions:

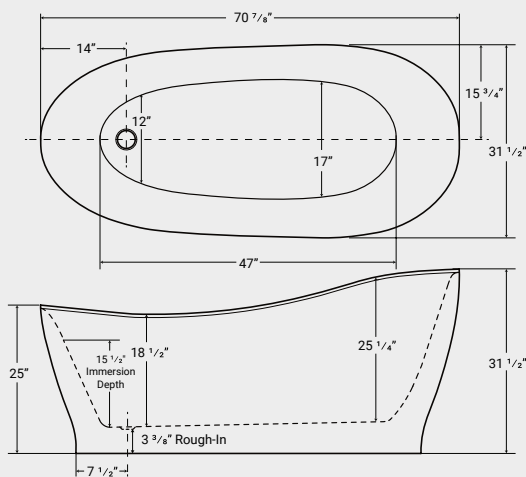
70 7/8" x 31 1/2" x 31 1/2"

Immersion Depth:

15 1/2"

Capacity

72 US gallons Approx



*** Rough-in EZ available for easy installation

Drain & Overflow

Pop-up Drain

- Polished Chrome - **01089**.....\$90
- Brushed Nickel - **01091**.....\$110
- Matte Black - **01092**.....\$130
- Oil Rubbed Bronze - **01093**.....\$130
- Polished Gold - **01094**.....\$140
- White (Default)- **01095**.....\$110

Overflow Cover Plate & Pop-up Drain

- Brushed Nickel - **01080**.....\$460
- Matte Black - **01084**.....\$310
- Oil Rubbed Bronze - **01079**.....\$530
- Polished Gold - **01078**.....\$610

Upgrades

Chromatherapy

- White - **01020**.....\$580
- Polished Chrome - **01021**.....\$580

Comfort Warm™

- Single - **01040-01**.....\$1,020
- Dual - **01040-02**.....\$1,260

Aromatherapy

- Aromatherapy - **01030**.....\$500

Vibe Sound System - See Page - 80

Jetting Options

16 Jet Air System

- White - 00021.....\$2,150
- Brushed Nickel - 00023.....\$2,430
- Polished Chrome - 00024.....\$2,300

Rough-in Ez - 01086.....\$130

Additional Upgrades

See Page - 80 - 81





Geneva

NEW

ACRYLIC

FREESTANDING



| Part# | List Price |
|-------|------------|
| 44469 | \$2,700 |

Dimensions:

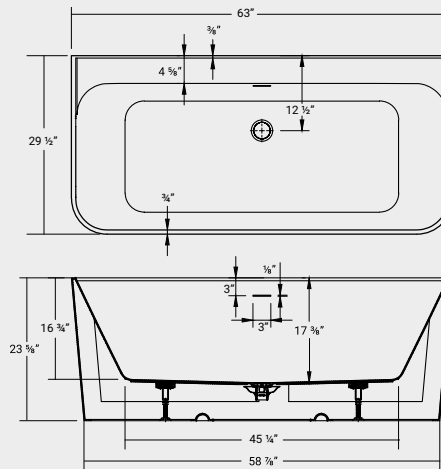
63" x 29 1/2" x 23 5/8"

Immersion Depth:

14 1/4"

Capacity

62 US Gal



*** Rough-in EZ available for easy installation

Drain & Overflow

Pop-up Drain

- Polished Chrome - **01089**.....\$90
- Brushed Nickel - **01091**.....\$110
- Matte Black - **01092**.....\$130
- Oil Rubbed Bronze - **01093**.....\$130
- Polished Gold - **01094**.....\$140
- White (Default)- **01095**.....\$110

Overflow Cover Plate & Pop-up Drain

- Brushed Nickel - **01080**.....\$460
- Matte Black - **01084**.....\$310
- Oil Rubbed Bronze - **01079**.....\$530
- Polished Gold - **01078**.....\$610

Upgrades

Chromatherapy

- White - **01020**.....\$580
- Polished Chrome - **01021**.....\$580

Comfort Warm™

- Single - **01040-01**.....\$1,020
- Dual - **01040-02**.....\$1,260

Aromatherapy

- Aromatherapy - **01030**.....\$500

Vibe Sound System - See Page - 80

Jetting Options

16 Jet Air System

- White - 00021.....\$2,150
- Brushed Nickel - 00023.....\$2,430
- Polished Chrome - 00024.....\$2,300

Rough-in Ez - 01086.....\$130

Additional Upgrades

See Page - 80 - 81

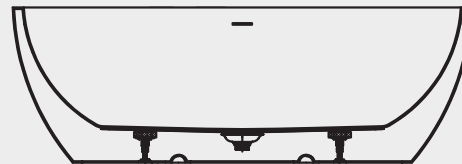
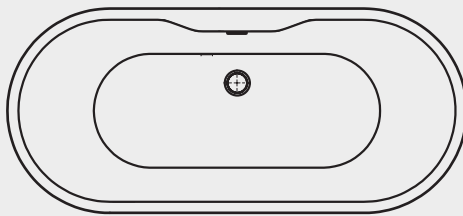


Grenoble

NEW

ACRYLIC

FREESTANDING



*** Features a removable access panel for easy faucet installation

| Name | Part # | Dimensions | Height | Immersion Depth | Approx Capacity | MSRP |
|------|--------|------------|--------|-----------------|-----------------|---------|
| 61" | 45550 | 61" x 29" | 22" | 14 1/8" | 56.8 US Gallons | \$2,300 |
| 65" | 45551 | 65" x 29" | 22" | 14 7/8" | 66.8 US Gallons | \$2,700 |

*** Rough-in EZ available for easy installation

Drain & Overflow

Pop-up Drain

- Polished Chrome - **01089**.....\$90
- Brushed Nickel - **01091**.....\$110
- Matte Black - **01092**.....\$130
- Oil Rubbed Bronze - **01093**.....\$130
- Polished Gold - **01094**.....\$140
- White (Default)- **01095**.....\$110

Overflow Cover Plate & Pop-up Drain

- Brushed Nickel - **01080**.....\$460
- Matte Black - **01084**.....\$310
- Oil Rubbed Bronze - **01079**.....\$530
- Polished Gold - **01078**.....\$610

Upgrades

Chromatherapy

- White - **01020**.....\$580
- Polished Chrome - **01021**.....\$580

Comfort Warm™

- Single - **01040-01**.....\$1,020
- Dual - **01040-02**.....\$1,260

Aromatherapy

- Aromatherapy - **01030**.....\$500

Vibe Sound System - See Page - 80

Jetting Options

16 Jet Air System

- White - 00021.....\$2,150
- Brushed Nickel - 00023.....\$2,430
- Polished Chrome - 00024.....\$2,300

Rough-in Ez - 01086.....\$130

Additional Upgrades

See Page - 80 - 81





Hawthorne

ACRYLIC

FREESTANDING



| Color | Part# | List Price |
|-------|-------|------------|
| White | 44361 | \$2,900 |
| Grey | 44362 | \$3,560 |

Dimensions:

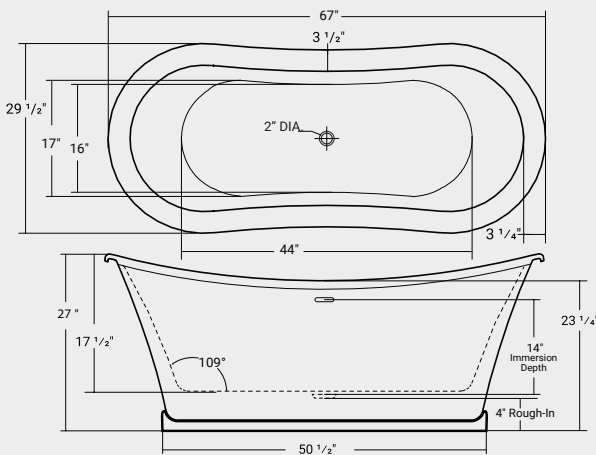
67" x 29 1/2" x 27"

Immersion Depth:

14"

Capacity

61 US gallons Approx



*** Rough-in EZ available for easy installation

Drain & Overflow

Pop-up Drain

- Polished Chrome - **01089**.....\$90
- Brushed Nickel - **01091**.....\$110
- Matte Black - **01092**.....\$130
- Oil Rubbed Bronze - **01093**.....\$130
- Polished Gold - **01094**.....\$140
- White (Default)- **01095**.....\$110

Overflow Cover Plate & Pop-up Drain

- Brushed Nickel - **01080**.....\$460
- Matte Black - **01084**.....\$310
- Oil Rubbed Bronze - **01079**.....\$530
- Polished Gold - **01078**.....\$610

Upgrades

Chromatherapy

- White - **01020**.....\$580
- Polished Chrome - **01021**.....\$580

Comfort Warm™

- Single - **01040-01**.....\$1,020
- Dual - **01040-02**.....\$1,260

Aromatherapy

- Aromatherapy - **01030**.....\$500

Vibe Sound System - See Page - 80

Jetting Options

16 Jet Air System

- White - 00021.....\$2,150
- Brushed Nickel - 00023.....\$2,430
- Polished Chrome - 00024.....\$2,300

Rough-in Ez - 01086.....\$130

Additional Upgrades

See Page - 80 - 81



Hayden

ACRYLIC

FREESTANDING



| Color | Part# | List Price |
|-------|----------|------------|
| White | 44347 | \$2,180 |
| Gold | 44347-06 | \$3,900 |
| Grey | 44347-05 | \$3,900 |

Dimensions:

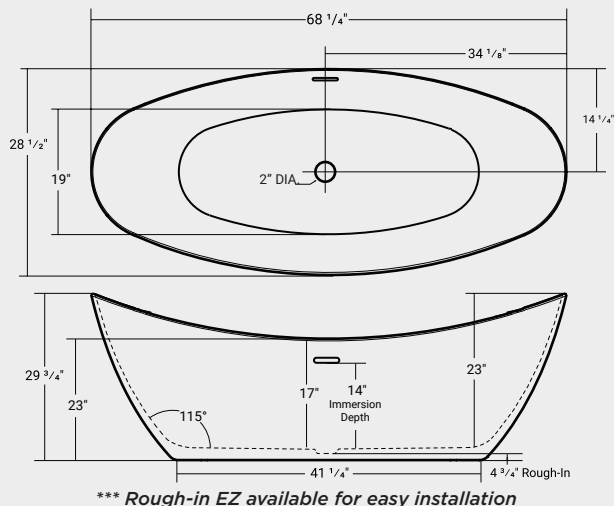
68 1/4" x 28 1/2" x 29 3/4"

Immersion Depth:

14"

Capacity

53 US gallons Approx



Drain & Overflow

Pop-up Drain

- Polished Chrome - **01089**.....\$90
- Brushed Nickel - **01091**.....\$110
- Matte Black - **01092**.....\$130
- Oil Rubbed Bronze - **01093**.....\$130
- Polished Gold - **01094**.....\$140
- White (Default)- **01095**.....\$110

Overflow Cover Plate & Pop-up Drain

- Brushed Nickel - **01080**.....\$460
- Matte Black - **01084**.....\$310
- Oil Rubbed Bronze - **01079**.....\$530
- Polished Gold - **01078**.....\$610

Upgrades

Chromatherapy

- White - **01020**.....\$580
- Polished Chrome - **01021**.....\$580

Comfort Warm™

- Single - **01040-01**.....\$1,020
- Dual - **01040-02**.....\$1,260

Aromatherapy

- Aromatherapy - **01030**.....\$500

Vibe Sound System - See Page - 80

Jetting Options

16 Jet Air System

- White - 00021.....\$2,150
- Brushed Nickel - 00023.....\$2,430
- Polished Chrome - 00024.....\$2,300

Rough-in Ez - 01086.....\$130

Additional Upgrades

See Page - 80 - 81





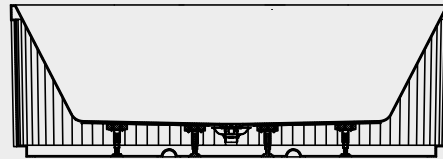
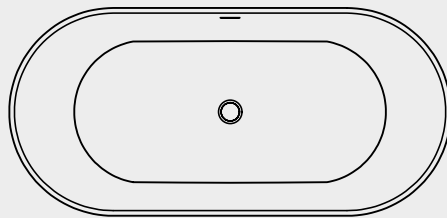
Kahuna

NEW

ACRYLIC



FREESTANDING



| Name | Part # | Dimensions | Height | Immersion Depth | Approx Capacity | MSRP |
|------|--------|---------------|--------|-----------------|-----------------|---------|
| 59" | 45556 | 59" x 29 1/2" | 23" | 15" | 62 US Gallons | \$2,780 |
| 67" | 45557 | 67" x 31 1/2" | 23" | 15" | 78 US Gallons | \$2,800 |

*** Rough-in EZ available for easy installation

Drain & Overflow

Pop-up Drain

- Polished Chrome - **01089**.....\$90
- Brushed Nickel - **01091**.....\$110
- Matte Black - **01092**.....\$130
- Oil Rubbed Bronze - **01093**.....\$130
- Polished Gold - **01094**.....\$140
- White (Default)- **01095**.....\$110

Overflow Cover Plate & Pop-up Drain

- Brushed Nickel - **01080**.....\$460
- Matte Black - **01084**.....\$310
- Oil Rubbed Bronze - **01079**.....\$530
- Polished Gold - **01078**.....\$610

Upgrades

Chromatherapy

- White - **01020**.....\$580
- Polished Chrome - **01021**.....\$580

Comfort Warm™

- Single - **01040-01**.....\$1,020
- Dual - **01040-02**.....\$1,260

Aromatherapy

- Aromatherapy - **01030**.....\$500

Vibe Sound System - See Page - 80

Jetting Options

16 Jet Air System

- White - 00021.....\$2,150
- Brushed Nickel - 00023.....\$2,430
- Polished Chrome - 00024.....\$2,300

Rough-in Ez - 01086.....\$130

Additional Upgrades

See Page - 80 - 81





Lyon

ACRYLIC

FREESTANDING

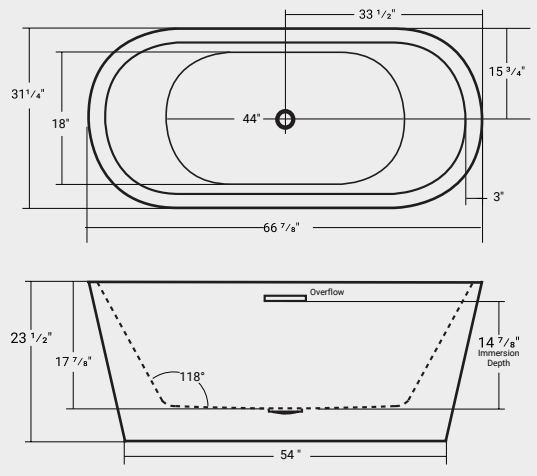


| Color | Part# | List Price |
|-------|-------------|------------|
| White | 44271 | \$2,880 |
| Black | 44271_Black | \$3,300 |

Dimensions:
66 7/8" x 31 1/4" x 23 1/2"

Immersion Depth:
14 7/8"

Capacity
65 US gallons Approx



*** Rough-in EZ available for easy installation

Drain & Overflow

- Pop-up Drain**
- Polished Chrome - **01089**.....\$90
 - Brushed Nickel - **01091**.....\$110
 - Matte Black - **01092**.....\$130
 - Oil Rubbed Bronze - **01093**.....\$130
 - Polished Gold - **01094**.....\$140
 - White (Default)- **01095**.....\$110
- Overflow Cover Plate & Pop-up Drain**
- Brushed Nickel - **01080**.....\$460
 - Matte Black - **01084**.....\$310
 - Oil Rubbed Bronze - **01079**.....\$530
 - Polished Gold - **01078**.....\$610

Upgrades

- Chromatherapy**
- White - **01020**.....\$580
 - Polished Chrome - **01021**.....\$580
- Comfort Warm™**
- Single - **01040-01**.....\$1,020
 - Dual - **01040-02**.....\$1,260
- Aromatherapy**
- Aromatherapy - **01030**.....\$500
- Vibe Sound System** - See Page - 80

Jetting Options

- 16 Jet Air System**
- White - 00021.....\$2,150
 - Brushed Nickel - 00023.....\$2,430
 - Polished Chrome - 00024.....\$2,300
- Rough-in Ez - 01086.....\$130

Additional Upgrades
See Page - 80 - 81





Marlo

ACRYLIC

FREESTANDING

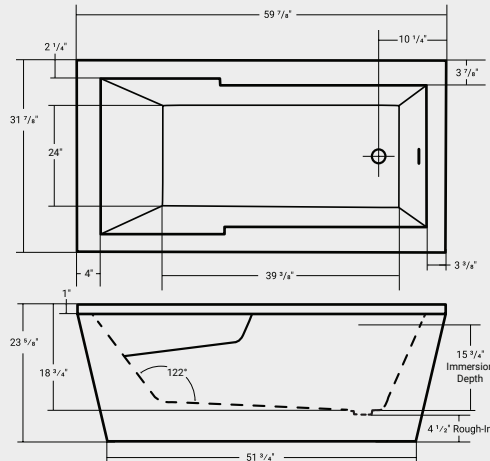


| Part# | List Price |
|-------|------------|
| 44343 | \$2,060 |

Dimensions:
59 7/8" x 31 7/8" x 23 5/8"

Immersion Depth:
15 3/4"

Capacity
50 US gallons Approx



*** Rough-in EZ available for easy installation

Drain & Overflow

Pop-up Drain

- Polished Chrome - **01089**.....\$90
- Brushed Nickel - **01091**.....\$110
- Matte Black - **01092**.....\$130
- Oil Rubbed Bronze - **01093**.....\$130
- Polished Gold - **01094**.....\$140
- White (Default)- **01095**.....\$110

Overflow Cover Plate & Pop-up Drain

- Brushed Nickel - **01080**.....\$460
- Matte Black - **01084**.....\$310
- Oil Rubbed Bronze - **01079**.....\$530
- Polished Gold - **01078**.....\$610

Upgrades

Chromatherapy

- White - **01020**.....\$580
- Polished Chrome - **01021**.....\$580

Comfort Warm™

- Single - **01040-01**.....\$1,020
- Dual - **01040-02**.....\$1,260

Aromatherapy

- Aromatherapy - **01030**.....\$500

Vibe Sound System - See Page - 80

Jetting Options

16 Jet Air System

- White - 00021.....\$2,150
- Brushed Nickel - 00023.....\$2,430
- Polished Chrome - 00024.....\$2,300

Rough-in Ez - 01086.....\$130

Additional Upgrades

See Page - 80 - 81





Marseille

ACRYLIC

FREESTANDING

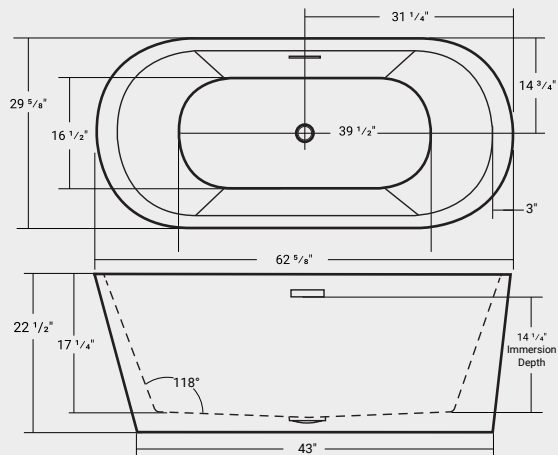


| Part# | List Price |
|-------|------------|
| 44351 | \$2,950 |

Dimensions:
62 5/8" x 29 5/8" x 22 1/2"

Immersion Depth:
14 1/4"

Capacity
48 US gallons Approx



*** Rough-in EZ available for easy installation

Drain & Overflow

Pop-up Drain

- Polished Chrome - **01089**.....\$90
- Brushed Nickel - **01091**.....\$110
- Matte Black - **01092**.....\$130
- Oil Rubbed Bronze - **01093**.....\$130
- Polished Gold - **01094**.....\$140
- White (Default)- **01095**.....\$110

Overflow Cover Plate & Pop-up Drain

- Brushed Nickel - **01080**.....\$460
- Matte Black - **01084**.....\$310
- Oil Rubbed Bronze - **01079**.....\$530
- Polished Gold - **01078**.....\$610

Upgrades

Chromatherapy

- White - **01020**.....\$580
- Polished Chrome - **01021**.....\$580

Comfort Warm™

- Single - **01040-01**.....\$1,020
- Dual - **01040-02**.....\$1,260

Aromatherapy

- Aromatherapy - **01030**.....\$500

Vibe Sound System - See Page - 80

Jetting Options

16 Jet Air System

- White - 00021.....\$2,150
- Brushed Nickel - 00023.....\$2,430
- Polished Chrome - 00024.....\$2,300

Rough-in Ez - 01086.....\$130

Additional Upgrades

See Page - 80 - 81



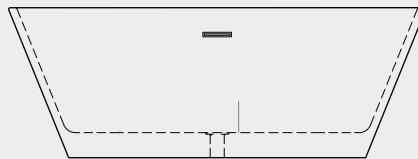
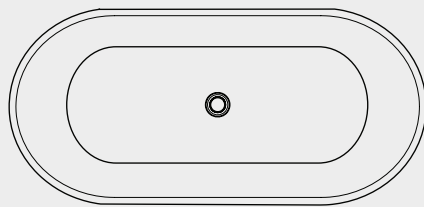


Monaco

ACRYLIC



FREESTANDING



| Name | Part # | Dimensions | Height | Immersion Depth | Approx Capacity | MSRP |
|------|--------|-------------------|---------|-----------------|--------------------|---------|
| 54" | 44457 | 53 3/4" x 31 1/2" | 23 5/8" | 15 1/2" | 65 - 70 US Gallons | \$2,380 |
| 59" | 44459 | 59" x 31 1/2" | 23 5/8" | 15 1/4" | 65 - 70 US Gallons | \$2,390 |
| 63" | 44460 | 63" x 31 3/8" | 23 5/8" | 15 7/8" | 65 - 70 US Gallons | \$2,750 |
| 67" | 44462 | 66 7/8" x 31 1/2" | 23 5/8" | 15 1/2" | 82 US Gallons | \$2,550 |

*** Rough-in EZ available for easy installation

Drain & Overflow

Pop-up Drain

- Polished Chrome - **01089**.....\$90
- Brushed Nickel - **01091**.....\$110
- Matte Black - **01092**.....\$130
- Oil Rubbed Bronze - **01093**.....\$130
- Polished Gold - **01094**.....\$140
- White (Default)- **01095**.....\$110

Overflow Cover Plate & Pop-up Drain

- Brushed Nickel - **01080**.....\$460
- Matte Black - **01084**.....\$310
- Oil Rubbed Bronze - **01079**.....\$530
- Polished Gold - **01078**.....\$610

Upgrades

Chromatherapy

- White - **01020**.....\$580
- Polished Chrome - **01021**.....\$580

Comfort Warm™

- Single - **01040-01**.....\$1,020
- Dual - **01040-02**.....\$1,260

Aromatherapy

- Aromatherapy - **01030**.....\$500

Vibe Sound System - See Page - 80

Jetting Options

16 Jet Air System

- White - 00021.....\$2,150
- Brushed Nickel - 00023.....\$2,430
- Polished Chrome - 00024.....\$2,300

Rough-in Ez - 01086.....\$130

Additional Upgrades

See Page - 80 - 81



Ofuro

ACRYLIC

NEW

FREESTANDING



| Part# | List Price |
|-------|------------|
| 44294 | \$3,200 |

Dimensions:

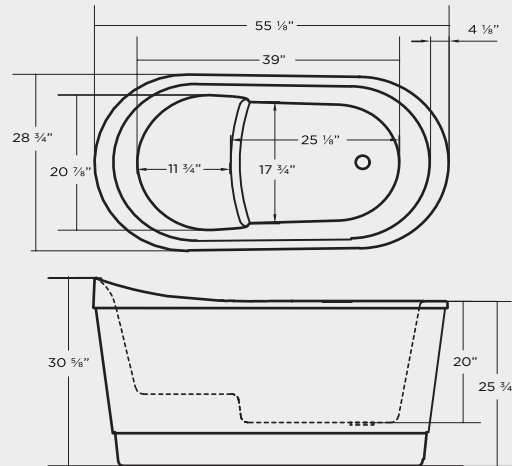
55 1/8" x 28 3/4" x 30 5/8"

Depth:

17 1/4"

Capacity

73.7 US Gal



*** Rough-in EZ available for easy installation

Drain & Overflow

Pop-up Drain

- Polished Chrome - **01089**.....\$90
- Brushed Nickel - **01091**.....\$110
- Matte Black - **01092**.....\$130
- Oil Rubbed Bronze - **01093**.....\$130
- Polished Gold - **01094**.....\$140
- White (Default)- **01095**.....\$110

Overflow Cover Plate & Pop-up Drain

- Brushed Nickel - **01080**.....\$460
- Matte Black - **01084**.....\$310
- Oil Rubbed Bronze - **01079**.....\$530
- Polished Gold - **01078**.....\$610

Upgrades

Chromatherapy

- White - **01020**.....\$580
- Polished Chrome - **01021**.....\$580

Comfort Warm™

- Single - **01040-01**.....\$1,020
- Dual - **01040-02**.....\$1,260

Aromatherapy

- Aromatherapy - **01030**.....\$500

Vibe Sound System - See Page - 80

Jetting Options

16 Jet Air System

- White - 00021.....\$2,150
- Brushed Nickel - 00023.....\$2,430
- Polished Chrome - 00024.....\$2,300

Rough-in Ez - 01086.....\$130

Additional Upgrades

See Page - 80 - 81





Olympia

NEW

ACRYLIC



FREESTANDING

| Color | Part# | List Price |
|-------|-------|------------|
| White | 44467 | \$5,100 |
| Black | 44468 | \$5,300 |

Dimensions:

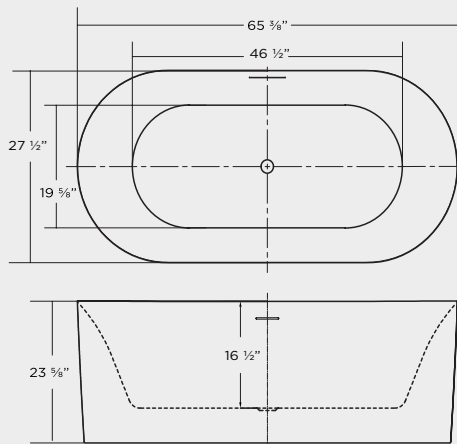
65 3/8" x 27 1/2" x 23 5/8"

Immersion Depth:

14 3/4"

Capacity

71 US Gal



*** Rough-in EZ available for easy installation

Drain & Overflow

Pop-up Drain

- Polished Chrome - **01089**.....\$90
- Brushed Nickel - **01091**.....\$110
- Matte Black - **01092**.....\$130
- Oil Rubbed Bronze - **01093**.....\$130
- Polished Gold - **01094**.....\$140
- White (Default)- **01095**.....\$110

Overflow Cover Plate & Pop-up Drain

- Brushed Nickel - **01080**.....\$460
- Matte Black - **01084**.....\$310
- Oil Rubbed Bronze - **01079**.....\$530
- Polished Gold - **01078**.....\$610

Upgrades

Chromatherapy

- White - **01020**.....\$580
- Polished Chrome - **01021**.....\$580

Comfort Warm™

- Single - **01040-01**.....\$1,020
- Dual - **01040-02**.....\$1,260

Aromatherapy

- Aromatherapy - **01030**.....\$500

Vibe Sound System - See Page - 80

Jetting Options

16 Jet Air System

- White - 00021.....\$2,150
- Brushed Nickel - 00023.....\$2,430
- Polished Chrome - 00024.....\$2,300

Rough-in Ez - 01086.....\$130

Additional Upgrades

See Page - 80 - 81



Olivia

ACRYLIC

FREESTANDING



Faucet not included

| Part# | List Price |
|-------|------------|
| 44329 | \$2,950 |

Dimensions:

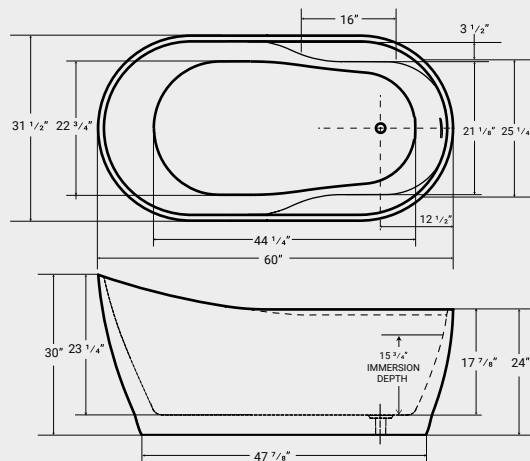
60" x 31 1/2" x 30"

Immersion Depth:

15 3/4"

Capacity

55 US gallons



*** Rough-in EZ available for easy installation

Drain & Overflow

Pop-up Drain

- Polished Chrome - **01089**.....\$90
- Brushed Nickel - **01091**.....\$110
- Matte Black - **01092**.....\$130
- Oil Rubbed Bronze - **01093**.....\$130
- Polished Gold - **01094**.....\$140
- White (Default)- **01095**.....\$110

Overflow Cover Plate & Pop-up Drain

- Brushed Nickel - **01080**.....\$460
- Matte Black - **01084**.....\$310
- Oil Rubbed Bronze - **01079**.....\$530
- Polished Gold - **01078**.....\$610

Upgrades

Chromatherapy

- White - **01020**.....\$580
- Polished Chrome - **01021**.....\$580

Comfort Warm™

- Single - **01040-01**.....\$1,020
- Dual - **01040-02**.....\$1,260

Aromatherapy

- Aromatherapy - **01030**.....\$500

Vibe Sound System - See Page - 80

Jetting Options

16 Jet Air System

- White - 00021.....\$2,150
- Brushed Nickel - 00023.....\$2,430
- Polished Chrome - 00024.....\$2,300

Rough-in Ez - 01086.....\$130

Additional Upgrades

See Page - 80 - 81





Parma

NEW

ACRYLIC



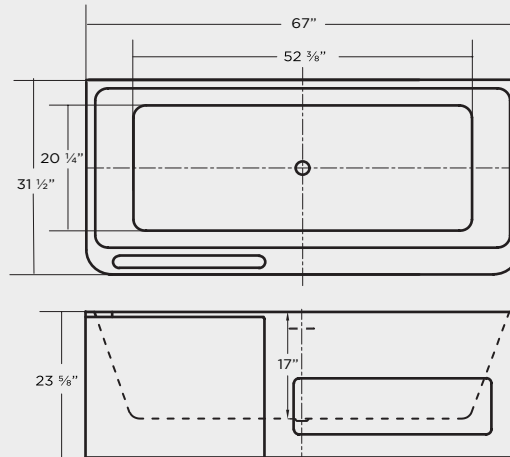
FREESTANDING

| Color | Part# | List Price |
|-------|-------|------------|
| White | 44323 | \$2,700 |

Dimensions:
67" x 31 1/2" x 23 5/8"

Immersion Depth:
15 7/8"

Capacity
71 US gallons



*** Rough-in EZ available for easy installation

Drain & Overflow

Pop-up Drain

- Polished Chrome - **01089**.....\$90
- Brushed Nickel - **01091**.....\$110
- Matte Black - **01092**.....\$130
- Oil Rubbed Bronze - **01093**.....\$130
- Polished Gold - **01094**.....\$140
- White (Default)- **01095**.....\$110

Overflow Cover Plate & Pop-up Drain

- Brushed Nickel - **01080**.....\$460
- Matte Black - **01084**.....\$310
- Oil Rubbed Bronze - **01079**.....\$530
- Polished Gold - **01078**.....\$610

Upgrades

Chromatherapy

- White - **01020**.....\$580
- Polished Chrome - **01021**.....\$580

Comfort Warm™

- Single - **01040-01**.....\$1,020
- Dual - **01040-02**.....\$1,260

Aromatherapy

- Aromatherapy - **01030**.....\$500

Vibe Sound System - See Page - 80

Jetting Options

16 Jet Air System

- White - 00021.....\$2,150
- Brushed Nickel - 00023.....\$2,430
- Polished Chrome - 00024.....\$2,300

Rough-in Ez - 01086.....\$130

Additional Upgrades

See Page - 80 - 81





Penelope

ACRYLIC

FREESTANDING



| Color | Part# | List Price |
|-------|-------|------------|
| White | 44471 | \$2,580 |

Dimensions:

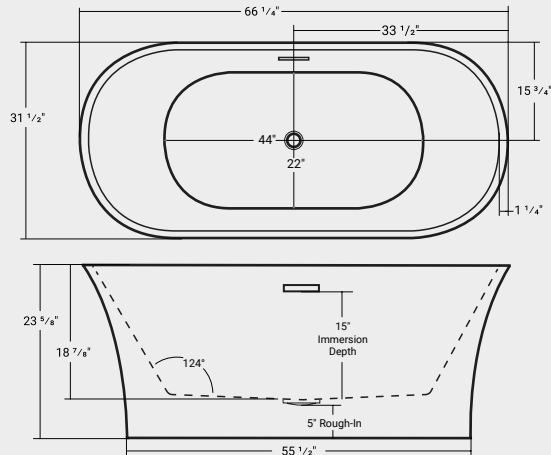
66 1/4" x 31 1/2" x 23 5/8"

Immersion Depth:

15"

Capacity

71 US gallons



*** Rough-in EZ available for easy installation

Drain & Overflow

Pop-up Drain

- Polished Chrome - **01089**.....\$90
- Brushed Nickel - **01091**.....\$110
- Matte Black - **01092**.....\$130
- Oil Rubbed Bronze - **01093**.....\$130
- Polished Gold - **01094**.....\$140
- White (Default)- **01095**.....\$110

Overflow Cover Plate & Pop-up Drain

- Brushed Nickel - **01080**.....\$460
- Matte Black - **01084**.....\$310
- Oil Rubbed Bronze - **01079**.....\$530
- Polished Gold - **01078**.....\$610

Upgrades

Chromatherapy

- White - **01020**.....\$580
- Polished Chrome - **01021**.....\$580

Comfort Warm™

- Single - **01040-01**.....\$1,020
- Dual - **01040-02**.....\$1,260

Aromatherapy

- Aromatherapy - **01030**.....\$500

Vibe Sound System - See Page - 80

Jetting Options

16 Jet Air System

- White - 00021.....\$2,150
- Brushed Nickel - 00023.....\$2,430
- Polished Chrome - 00024.....\$2,300

Rough-in Ez - 01086.....\$130

Additional Upgrades

See Page - 80 - 81



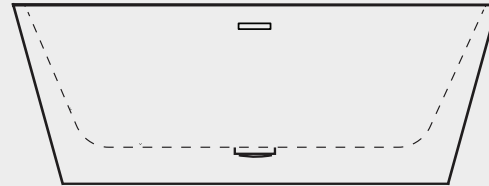
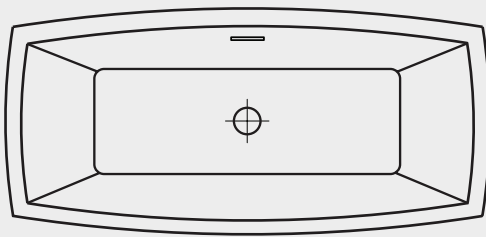


Renoir

ACRYLIC



FREESTANDING



| Name | Part # | Dimensions | Height | Immersion Depth | Approx Capacity | MSRP |
|------|--------|---------------|---------|-----------------|-----------------|---------|
| 59" | 44313 | 59" x 29 1/2" | 23 1/2" | 15 5/8" | 50 US Gallons | \$2,970 |
| 67" | 44315 | 67" x 31 1/8" | 23 1/2" | 15 5/8" | 77 US Gallons | \$2,980 |

*** Rough-in EZ available for easy installation

Drain & Overflow

Pop-up Drain

- Polished Chrome - **01089**.....\$90
- Brushed Nickel - **01091**.....\$110
- Matte Black - **01092**.....\$130
- Oil Rubbed Bronze - **01093**.....\$130
- Polished Gold - **01094**.....\$140
- White (Default)- **01095**.....\$110

Overflow Cover Plate & Pop-up Drain

- Brushed Nickel - **01080**.....\$460
- Matte Black - **01084**.....\$310
- Oil Rubbed Bronze - **01079**.....\$530
- Polished Gold - **01078**.....\$610

Upgrades

Chromatherapy

- White - **01020**.....\$580
- Polished Chrome - **01021**.....\$580

Comfort Warm™

- Single - **01040-01**.....\$1,020
- Dual - **01040-02**.....\$1,260

Aromatherapy

- Aromatherapy - **01030**.....\$500

Vibe Sound System - See Page - 80

Jetting Options

16 Jet Air System

- White - 00021.....\$2,150
- Brushed Nickel - 00023.....\$2,430
- Polished Chrome - 00024.....\$2,300

Rough-in Ez - 01086.....\$130

Additional Upgrades

See Page - 80 - 81



Sandor

ACRYLIC

FREESTANDING

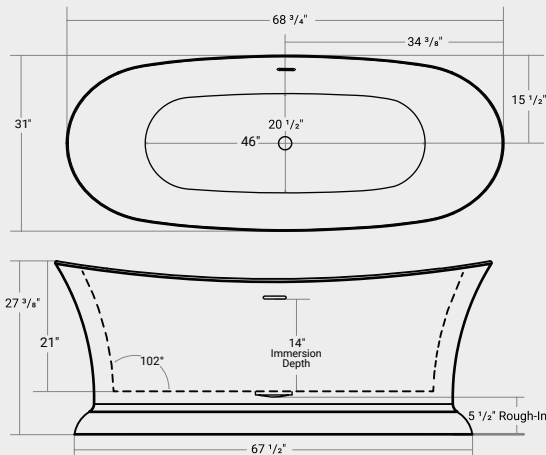


| Part# | List Price |
|-------|------------|
| 44337 | \$2,020 |

Dimensions:
68 3/4" x 31" x 27 3/8"

Immersion Depth:
14"

Capacity
56 US gallons



*** Rough-in EZ available for easy installation

Drain & Overflow

Pop-up Drain

- Polished Chrome - **01089**.....\$90
- Brushed Nickel - **01091**.....\$110
- Matte Black - **01092**.....\$130
- Oil Rubbed Bronze - **01093**.....\$130
- Polished Gold - **01094**.....\$140
- White (Default)- **01095**.....\$110

Overflow Cover Plate & Pop-up Drain

- Brushed Nickel - **01080**.....\$460
- Matte Black - **01084**.....\$310
- Oil Rubbed Bronze - **01079**.....\$530
- Polished Gold - **01078**.....\$610

Upgrades

Chromatherapy

- White - **01020**.....\$580
- Polished Chrome - **01021**.....\$580

Comfort Warm™

- Single - **01040-01**.....\$1,020
- Dual - **01040-02**.....\$1,260

Aromatherapy

- Aromatherapy - **01030**.....\$500

Vibe Sound System - See Page - 80

Jetting Options

16 Jet Air System

- White - 00021.....\$2,150
- Brushed Nickel - 00023.....\$2,430
- Polished Chrome - 00024.....\$2,300

Rough-in Ez - 01086.....\$130

Additional Upgrades

See Page - 80 - 81





Sansa

ACRYLIC



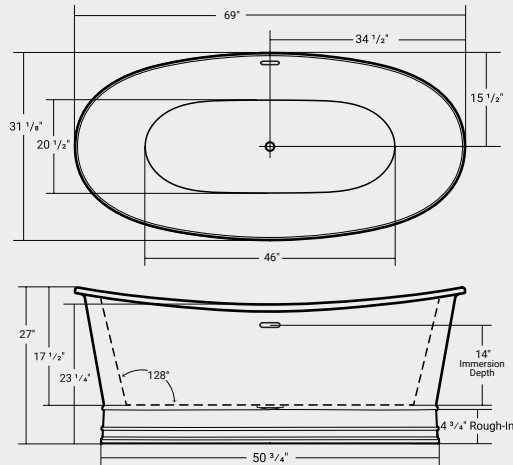
FREESTANDING

| Part# | List Price |
|-------|------------|
| 44327 | \$3,500 |

Dimensions:
69" x 31 1/8" x 27"

Immersion Depth:
14"

Capacity
57 US gallons



*** Rough-in EZ available for easy installation

Drain & Overflow

Pop-up Drain

- Polished Chrome - **01089**.....\$90
- Brushed Nickel - **01091**.....\$110
- Matte Black - **01092**.....\$130
- Oil Rubbed Bronze - **01093**.....\$130
- Polished Gold - **01094**.....\$140
- White (Default)- **01095**.....\$110

Overflow Cover Plate & Pop-up Drain

- Brushed Nickel - **01080**.....\$460
- Matte Black - **01084**.....\$310
- Oil Rubbed Bronze - **01079**.....\$530
- Polished Gold - **01078**.....\$610

Upgrades

Chromatherapy

- White - **01020**.....\$580
- Polished Chrome - **01021**.....\$580

Comfort Warm™

- Single - **01040-01**.....\$1,020
- Dual - **01040-02**.....\$1,260

Aromatherapy

- Aromatherapy - **01030**.....\$500

Vibe Sound System - See Page - 80

Jetting Options

16 Jet Air System

- White - 00021.....\$2,150
- Brushed Nickel - 00023.....\$2,430
- Polished Chrome - 00024.....\$2,300

Rough-in Ez - 01086.....\$130

Additional Upgrades

See Page - 80 - 81



Sherin

ACRYLIC

FREESTANDING

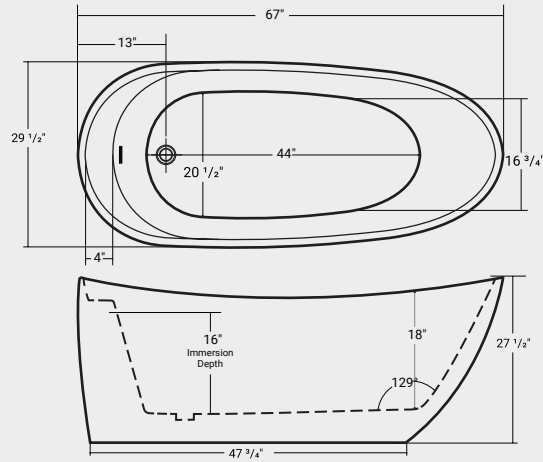


| Part# | List Price |
|-------|------------|
| 44333 | \$3,000 |

Dimensions:
67" x 29 1/2" x 27 1/2"

Immersion Depth:
16"

Capacity
65 US gallons



*** Rough-in EZ available for easy installation

Drain & Overflow

Pop-up Drain

- Polished Chrome - **01089**.....\$90
- Brushed Nickel - **01091**.....\$110
- Matte Black - **01092**.....\$130
- Oil Rubbed Bronze - **01093**.....\$130
- Polished Gold - **01094**.....\$140
- White (Default)- **01095**.....\$110

Overflow Cover Plate & Pop-up Drain

- Brushed Nickel - **01080**.....\$460
- Matte Black - **01084**.....\$310
- Oil Rubbed Bronze - **01079**.....\$530
- Polished Gold - **01078**.....\$610

Upgrades

Chromatherapy

- White - **01020**.....\$580
- Polished Chrome - **01021**.....\$580

Comfort Warm™

- Single - **01040-01**.....\$1,020
- Dual - **01040-02**.....\$1,260

Aromatherapy

- Aromatherapy - **01030**.....\$500

Vibe Sound System - See Page - 80

Jetting Options

16 Jet Air System

- White - 00021.....\$2,150
- Brushed Nickel - 00023.....\$2,430
- Polished Chrome - 00024.....\$2,300

Rough-in Ez - 01086.....\$130

Additional Upgrades

See Page - 80 - 81





Siena

NEW

ACRYLIC



FREESTANDING

| Color | Part # | List Price |
|-------------|--------|------------|
| White Skirt | 44475 | \$2,400 |

Dimensions:

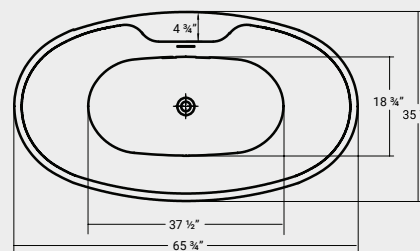
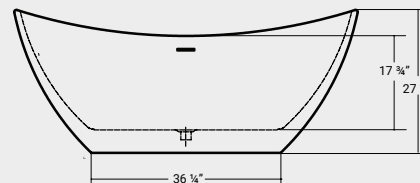
65 3/4" x 35 7/8" x 27 1/2"

Immersion Depth:

14 1/2"

Capacity

45 US gallons



*** Rough-in EZ available for easy installation

Drain & Overflow

Pop-up Drain

- Polished Chrome - **01089**.....\$90
- Brushed Nickel - **01091**.....\$110
- Matte Black - **01092**.....\$130
- Oil Rubbed Bronze - **01093**.....\$130
- Polished Gold - **01094**.....\$140
- White (Default)- **01095**.....\$110

Overflow Cover Plate & Pop-up Drain

- Brushed Nickel - **01080**.....\$460
- Matte Black - **01084**.....\$310
- Oil Rubbed Bronze - **01079**.....\$530
- Polished Gold - **01078**.....\$610

Upgrades

Chromatherapy

- White - **01020**.....\$580
- Polished Chrome - **01021**.....\$580

Comfort Warm™

- Single - **01040-01**.....\$1,020
- Dual - **01040-02**.....\$1,260

Aromatherapy

- Aromatherapy - **01030**.....\$500

Vibe Sound System - See Page - 80

Jetting Options

16 Jet Air System

- White - 00021.....\$2,150
- Brushed Nickel - 00023.....\$2,430
- Polished Chrome - 00024.....\$2,300

Rough-in Ez - 01086.....\$130

Additional Upgrades

See Page - 80 - 81





Theo

ACRYLIC

FREESTANDING



| Color | Part # | List Price |
|--------------|----------|------------|
| White Skirt | 44377 | \$2,400 |
| Gold Skirt | 44377-06 | \$4,690 |
| Silver Skirt | 44377-05 | \$4,690 |

Dimensions:

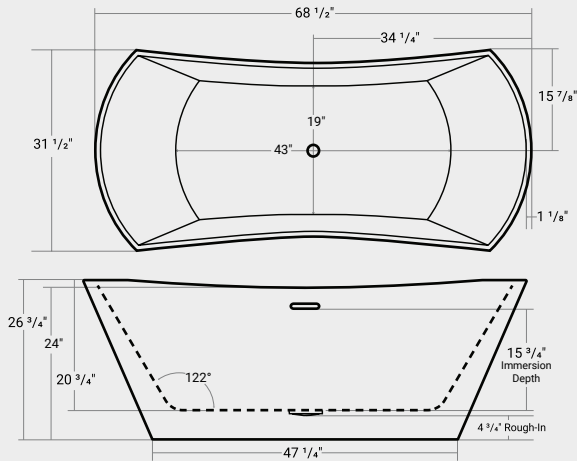
68 1/2" x 31 1/2" x 26 3/4"

Immersion Depth:

15 3/4"

Capacity

45 US gallons



*** Rough-in EZ available for easy installation

Drain & Overflow

Pop-up Drain

- Polished Chrome - **01089**.....\$90
- Brushed Nickel - **01091**.....\$110
- Matte Black - **01092**.....\$130
- Oil Rubbed Bronze - **01093**.....\$130
- Polished Gold - **01094**.....\$140
- White (Default)- **01095**.....\$110

Overflow Cover Plate & Pop-up Drain

- Brushed Nickel - **01080**.....\$460
- Matte Black - **01084**.....\$310
- Oil Rubbed Bronze - **01079**.....\$530
- Polished Gold - **01078**.....\$610

Upgrades

Chromatherapy

- White - **01020**.....\$580
- Polished Chrome - **01021**.....\$580

Comfort Warm™

- Single - **01040-01**.....\$1,020
- Dual - **01040-02**.....\$1,260

Aromatherapy

- Aromatherapy - **01030**.....\$500

Vibe Sound System - See Page - 80

Jetting Options

16 Jet Air System

- White - 00021.....\$2,150
- Brushed Nickel - 00023.....\$2,430
- Polished Chrome - 00024.....\$2,300

Rough-in Ez - 01086.....\$130

Additional Upgrades

See Page - 80 - 81





Toulon

ACRYLIC



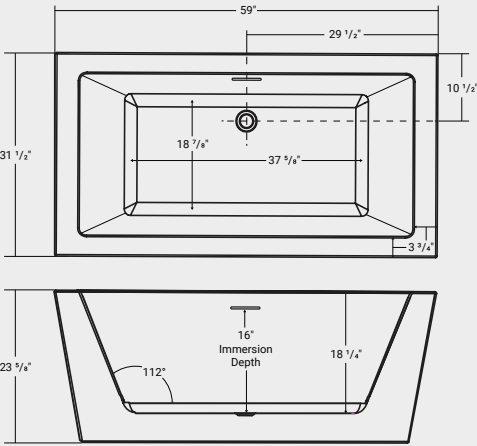
FREESTANDING

| Part# | List Price |
|-------|------------|
| 44466 | \$2,900 |

Dimensions:
59" x 31 1/2" x 23 5/8"

Immersion Depth:
16"

Capacity
57 US gallons



*** Rough-in EZ available for easy installation

Drain & Overflow

- Pop-up Drain**
- Polished Chrome - **01089**.....\$90
 - Brushed Nickel - **01091**.....\$110
 - Matte Black - **01092**.....\$130
 - Oil Rubbed Bronze - **01093**.....\$130
 - Polished Gold - **01094**.....\$140
 - White (Default)- **01095**.....\$110
- Overflow Cover Plate & Pop-up Drain**
- Brushed Nickel - **01080**.....\$460
 - Matte Black - **01084**.....\$310
 - Oil Rubbed Bronze - **01079**.....\$530
 - Polished Gold - **01078**.....\$610

Upgrades

- Chromatherapy**
- White - **01020**.....\$580
 - Polished Chrome - **01021**.....\$580
- Comfort Warm™**
- Single - **01040-01**.....\$1,020
 - Dual - **01040-02**.....\$1,260
- Aromatherapy**
- Aromatherapy - **01030**.....\$500
- Vibe Sound System** - See Page - 80

Jetting Options

- 16 Jet Air System**
- White - 00021.....\$2,150
 - Brushed Nickel - 00023.....\$2,430
 - Polished Chrome - 00024.....\$2,300
- Rough-in Ez - 01086.....\$130

Additional Upgrades
See Page - 80 - 81



Tours

ACRYLIC

FREESTANDING



| Part # | List Price |
|--------|------------|
| 44322 | \$2,300 |

Dimensions:

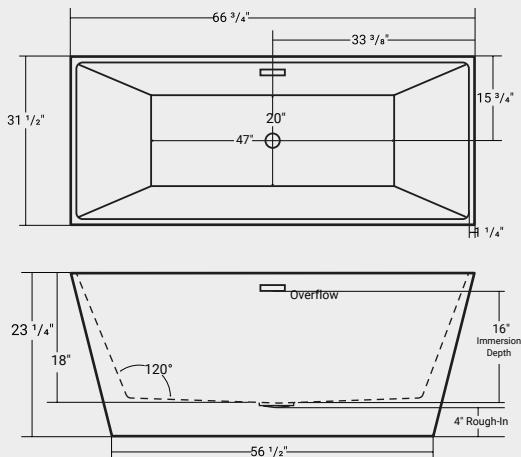
66 3/4" x 31 1/2" x 23 1/4"

Immersion Depth:

16"

Capacity

95 US gallons



*** Rough-in EZ available for easy installation

Drain & Overflow

Pop-up Drain

- Polished Chrome - **01089**.....\$90
- Brushed Nickel - **01091**.....\$110
- Matte Black - **01092**.....\$130
- Oil Rubbed Bronze - **01093**.....\$130
- Polished Gold - **01094**.....\$140
- White (Default)- **01095**.....\$110

Overflow Cover Plate & Pop-up Drain

- Brushed Nickel - **01080**.....\$460
- Matte Black - **01084**.....\$310
- Oil Rubbed Bronze - **01079**.....\$530
- Polished Gold - **01078**.....\$610

Upgrades

Chromatherapy

- White - **01020**.....\$580
- Polished Chrome - **01021**.....\$580

Comfort Warm™

- Single - **01040-01**.....\$1,020
- Dual - **01040-02**.....\$1,260

Aromatherapy

- Aromatherapy - **01030**.....\$500

Vibe Sound System - See Page - 80

Jetting Options

16 Jet Air System

- White - 00021.....\$2,150
- Brushed Nickel - 00023.....\$2,430
- Polished Chrome - 00024.....\$2,300

Rough-in Ez - 01086.....\$130

Additional Upgrades

See Page - 80 - 81





Turin

ACRYLIC

NEW



Faucet not included

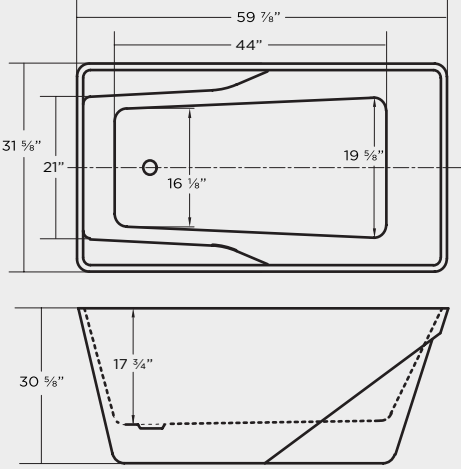
FREESTANDING

| Part# | List Price |
|-------|------------|
| 44318 | \$2,500 |

Dimensions:
59" x 31 5/8" x 30 5/8"

Immersion Depth:
14 1/2"

Capacity
82.4 US Gallons



*** Rough-in EZ available for easy installation

Drain & Overflow

- Pop-up Drain**
- Polished Chrome - **01089**.....\$90
 - Brushed Nickel - **01091**.....\$110
 - Matte Black - **01092**.....\$130
 - Oil Rubbed Bronze - **01093**.....\$130
 - Polished Gold - **01094**.....\$140
 - White (Default)- **01095**.....\$110
- Overflow Cover Plate & Pop-up Drain**
- Brushed Nickel - **01080**.....\$460
 - Matte Black - **01084**.....\$310
 - Oil Rubbed Bronze - **01079**.....\$530
 - Polished Gold - **01078**.....\$610

Upgrades

- Chromatherapy**
- White - **01020**.....\$580
 - Polished Chrome - **01021**.....\$580
- Comfort Warm™**
- Single - **01040-01**.....\$1,020
 - Dual - **01040-02**.....\$1,260
- Aromatherapy**
- Aromatherapy - **01030**.....\$500
- Vibe Sound System** - See Page - 80

Jetting Options

- 16 Jet Air System**
- White - 00021.....\$2,150
 - Brushed Nickel - 00023.....\$2,430
 - Polished Chrome - 00024.....\$2,300
- Rough-in Ez - 01086.....\$130

Additional Upgrades
See Page - 80 - 81

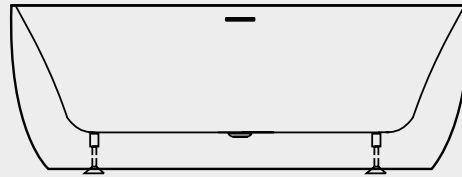
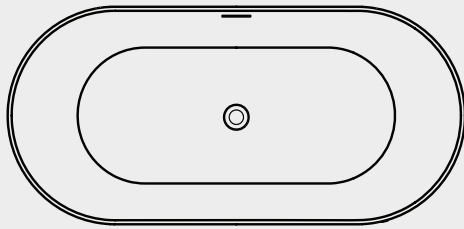


Valencia

ACRYLIC

NEW

FREESTANDING



| Name | Part # | Dimensions | Height | Immersion Depth | Approx Capacity | MSRP |
|------|--------|---------------|--------|-----------------|-----------------|---------|
| 59" | 44472 | 59" x 31 1/2" | 24" | 15 1/2" | 66 US Gallons | \$2,200 |
| 67" | 44473 | 67" x 31 1/2" | 24" | 15 1/2" | 71.3 US Gallons | \$2,340 |

*** Rough-in EZ available for easy installation

Drain & Overflow

Pop-up Drain

- Polished Chrome - **01089**.....\$90
- Brushed Nickel - **01091**.....\$110
- Matte Black - **01092**.....\$130
- Oil Rubbed Bronze - **01093**.....\$130
- Polished Gold - **01094**.....\$140
- White (Default)- **01095**.....\$110

Overflow Cover Plate & Pop-up Drain

- Brushed Nickel - **01080**.....\$460
- Matte Black - **01084**.....\$310
- Oil Rubbed Bronze - **01079**.....\$530
- Polished Gold - **01078**.....\$610

Upgrades

Chromatherapy

- White - **01020**.....\$580
- Polished Chrome - **01021**.....\$580

Comfort Warm™

- Single - **01040-01**.....\$1,020
- Dual - **01040-02**.....\$1,260

Aromatherapy

- Aromatherapy - **01030**.....\$500

Vibe Sound System - See Page - 80

Jetting Options

16 Jet Air System

- White - 00021.....\$2,150
- Brushed Nickel - 00023.....\$2,430
- Polished Chrome - 00024.....\$2,300

Rough-in Ez - 01086.....\$130

Additional Upgrades

See Page - 80 - 81





Vanessa

ACRYLIC

FREESTANDING



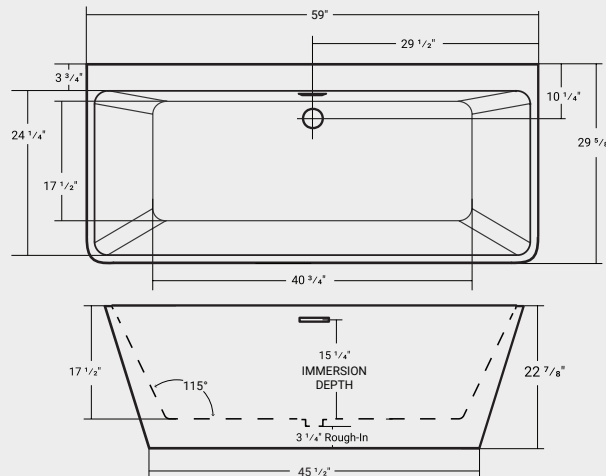
Faucet not included

| Part# | List Price |
|---------|------------|
| 44335.1 | \$2,040 |

Dimensions:
59" x 29 5/8" x 22 7/8"

Immersion Depth:
15 1/4"

Capacity
60 US gallons



*** Rough-in EZ available for easy installation

Drain & Overflow

Pop-up Drain

- Polished Chrome - **01089**.....\$90
- Brushed Nickel - **01091**.....\$110
- Matte Black - **01092**.....\$130
- Oil Rubbed Bronze - **01093**.....\$130
- Polished Gold - **01094**.....\$140
- White (Default)- **01095**.....\$110

Overflow Cover Plate & Pop-up Drain

- Brushed Nickel - **01080**.....\$460
- Matte Black - **01084**.....\$310
- Oil Rubbed Bronze - **01079**.....\$530
- Polished Gold - **01078**.....\$610

Upgrades

Chromatherapy

- White - **01020**.....\$580
- Polished Chrome - **01021**.....\$580

Comfort Warm™

- Single - **01040-01**.....\$1,020
- Dual - **01040-02**.....\$1,260

Aromatherapy

- Aromatherapy - **01030**.....\$500

Vibe Sound System - See Page - 80

Jetting Options

16 Jet Air System

- White - 00021.....\$2,150
- Brushed Nickel - 00023.....\$2,430
- Polished Chrome - 00024.....\$2,300

Rough-in Ez - 01086.....\$130

Additional Upgrades

See Page - 80 - 81



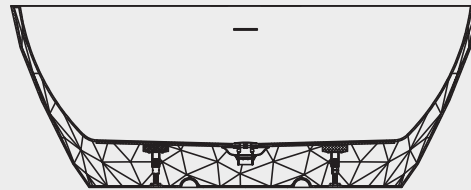
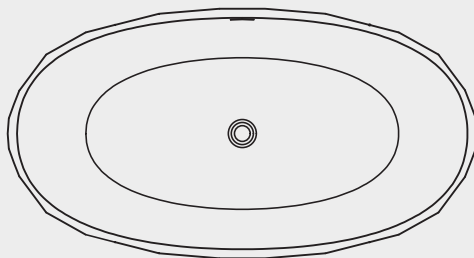


Verona

NEW

ACRYLIC

FREESTANDING



| Name | Part # | Dimensions | Height | Immersion Depth | Approx Capacity | MSRP |
|------|--------|---------------|---------|-----------------|-----------------|---------|
| 59" | 45554 | 59" x 31 1/2" | 22 7/8" | 14 1/4" | 61 US Gallons | \$2,720 |
| 67" | 45555 | 67" x 31 1/2" | 24 1/2" | 15 1/2" | 71.3 US Gallons | \$2,900 |

*** Rough-in EZ available for easy installation

Drain & Overflow

Pop-up Drain

- Polished Chrome - **01089**.....\$90
- Brushed Nickel - **01091**.....\$110
- Matte Black - **01092**.....\$130
- Oil Rubbed Bronze - **01093**.....\$130
- Polished Gold - **01094**.....\$140
- White (Default)- **01095**.....\$110

Overflow Cover Plate & Pop-up Drain

- Brushed Nickel - **01080**.....\$460
- Matte Black - **01084**.....\$310
- Oil Rubbed Bronze - **01079**.....\$530
- Polished Gold - **01078**.....\$610

Upgrades

Chromatherapy

- White - **01020**.....\$580
- Polished Chrome - **01021**.....\$580

Comfort Warm™

- Single - **01040-01**.....\$1,020
- Dual - **01040-02**.....\$1,260

Aromatherapy

- Aromatherapy - **01030**.....\$500

Vibe Sound System - See Page - 80

Jetting Options

16 Jet Air System

- White - 00021.....\$2,150
- Brushed Nickel - 00023.....\$2,430
- Polished Chrome - 00024.....\$2,300

Rough-in Ez - 01086.....\$130

Additional Upgrades

See Page - 80 - 81





Zaragoza

NEW

ACRYLIC



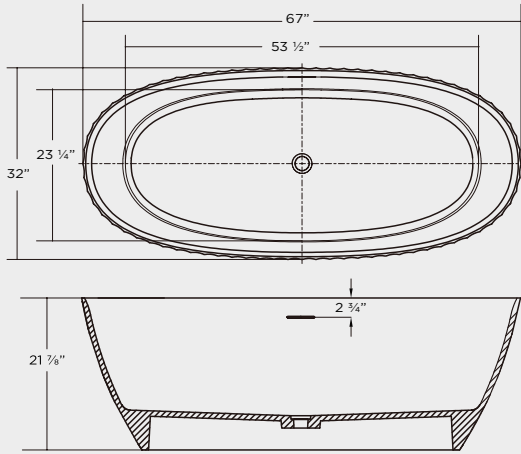
FREESTANDING

| Finish | Part# | List Price |
|--------------|----------|------------|
| Matte White | 44320-MT | \$3,100 |
| Glossy White | 44320-GL | \$3,090 |

Dimensions:
67" x 32"

Immersion Depth:
14"

Capacity
70.53 US Gallons



*** Rough-in EZ available for easy installation

Drain & Overflow

Pop-up Drain

- Polished Chrome - **01089**.....\$90
- Brushed Nickel - **01091**.....\$110
- Matte Black - **01092**.....\$130
- Oil Rubbed Bronze - **01093**.....\$130
- Polished Gold - **01094**.....\$140
- White (Default)- **01095**.....\$110

Drain & Overflow

Overflow Cover Plate

- Polished Chrome - **01085**.....\$220
- Brushed Nickel - **01080**.....\$460
- Matte Black - **01084**.....\$310
- Oil Rubbed Bronze - **01079**.....\$530
- Polished Gold - **01078**.....\$610

Drain & Overflow

Rough-in Ez - 01086.....\$130

Additional Upgrades

See Page - 80 - 81





Zaria

ACRYLIC

FREESTANDING

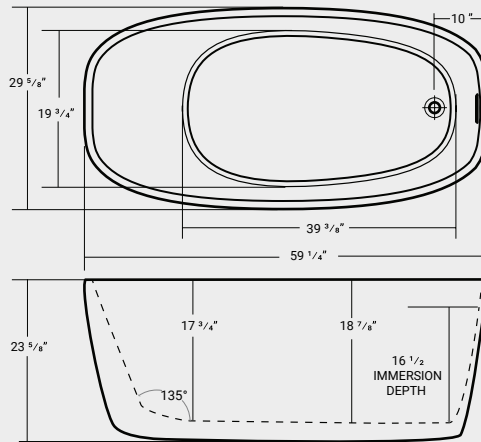


| Part # | List Price |
|--------|------------|
| 44380 | \$2,980 |

Dimensions:
59 1/4" x 29 5/8" x 23 5/8"

Immersion Depth:
16 1/2"

Capacity
66 US gallons



*** Rough-in EZ available for easy installation

Drain & Overflow

Pop-up Drain

- Polished Chrome - **01089**.....\$90
- Brushed Nickel - **01091**.....\$110
- Matte Black - **01092**.....\$130
- Oil Rubbed Bronze - **01093**.....\$130
- Polished Gold - **01094**.....\$140
- White (Default)- **01095**.....\$110

Overflow Cover Plate & Pop-up Drain

- Brushed Nickel - **01080**.....\$460
- Matte Black - **01084**.....\$310
- Oil Rubbed Bronze - **01079**.....\$530
- Polished Gold - **01078**.....\$610

Upgrades

Chromatherapy

- White - **01020**.....\$580
- Polished Chrome - **01021**.....\$580

Comfort Warm™

- Single - **01040-01**.....\$1,020
- Dual - **01040-02**.....\$1,260

Aromatherapy

- Aromatherapy - **01030**.....\$500

Vibe Sound System - See Page - 80

Jetting Options

16 Jet Air System

- White - 00021.....\$2,150
- Brushed Nickel - 00023.....\$2,430
- Polished Chrome - 00024.....\$2,300

Rough-in Ez - 01086.....\$130

Additional Upgrades

See Page - 80 - 81





Kraken

CAST IRON

FREESTANDING

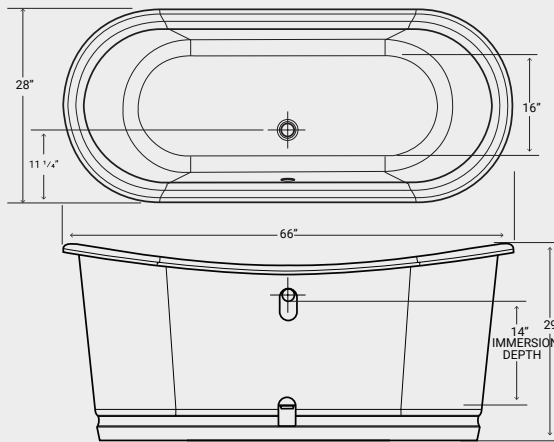


| | |
|--------------|-------------------|
| Part# | List Price |
| 48042 | \$8,750 |

Dimensions:
66" x 28" x 29"

Immersion Depth:
14"

Capacity
50 US gallons



*** Rough-in EZ available for easy installation

Roughin Ez

Rough-in Ez - 01086 \$130

Waste & Overflow

- Chrome - 01060 \$340

Accessories

Pillows

- 08010 \$100
- 08012 \$140
- 08014 \$120
- 08016 \$270





Lusca

CAST IRON

FREESTANDING



| Color | Part # | List Price |
|--------|----------|------------|
| White | 48040 | \$7,650 |
| Black | 48040-05 | \$8,100 |
| Mirror | 48040-08 | \$10,890 |

Dimensions:

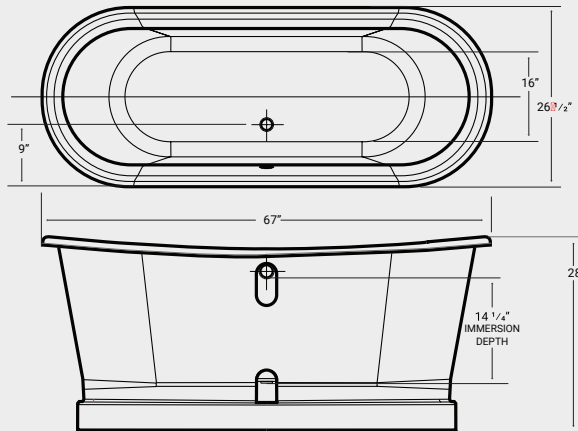
67" x 26 1/2" x 28"

Immersion Depth:

14 1/4"

Capacity

42 US Gallons



*** Rough-in EZ available for easy installation

Roughin Ez

Rough-in Ez - 01086 \$130

Waste & Overflow

- Chrome - 01060 \$340

Accessories

Pillows

- 08010 \$100
- 08012 \$140
- 08014 \$120
- 08016 \$270





Makara

CAST IRON

FREESTANDING

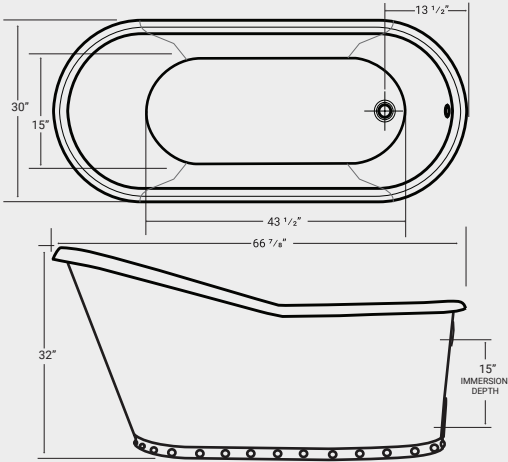


| | |
|--------------|-------------------|
| Part# | List Price |
| 48025 | \$8,750 |

Dimensions:
66 7/8" x 30" x 32"

Immersion Depth:
15"

Capacity
50 US gallons



*** Rough-in EZ available for easy installation

Roughin Ez

Rough-in Ez - 01086 \$130

Waste & Overflow

- Chrome - 01060 \$340

Accessories

- Pillows**
- 08010 \$100
 - 08012 \$140
 - 08014 \$120
 - 08016 \$270

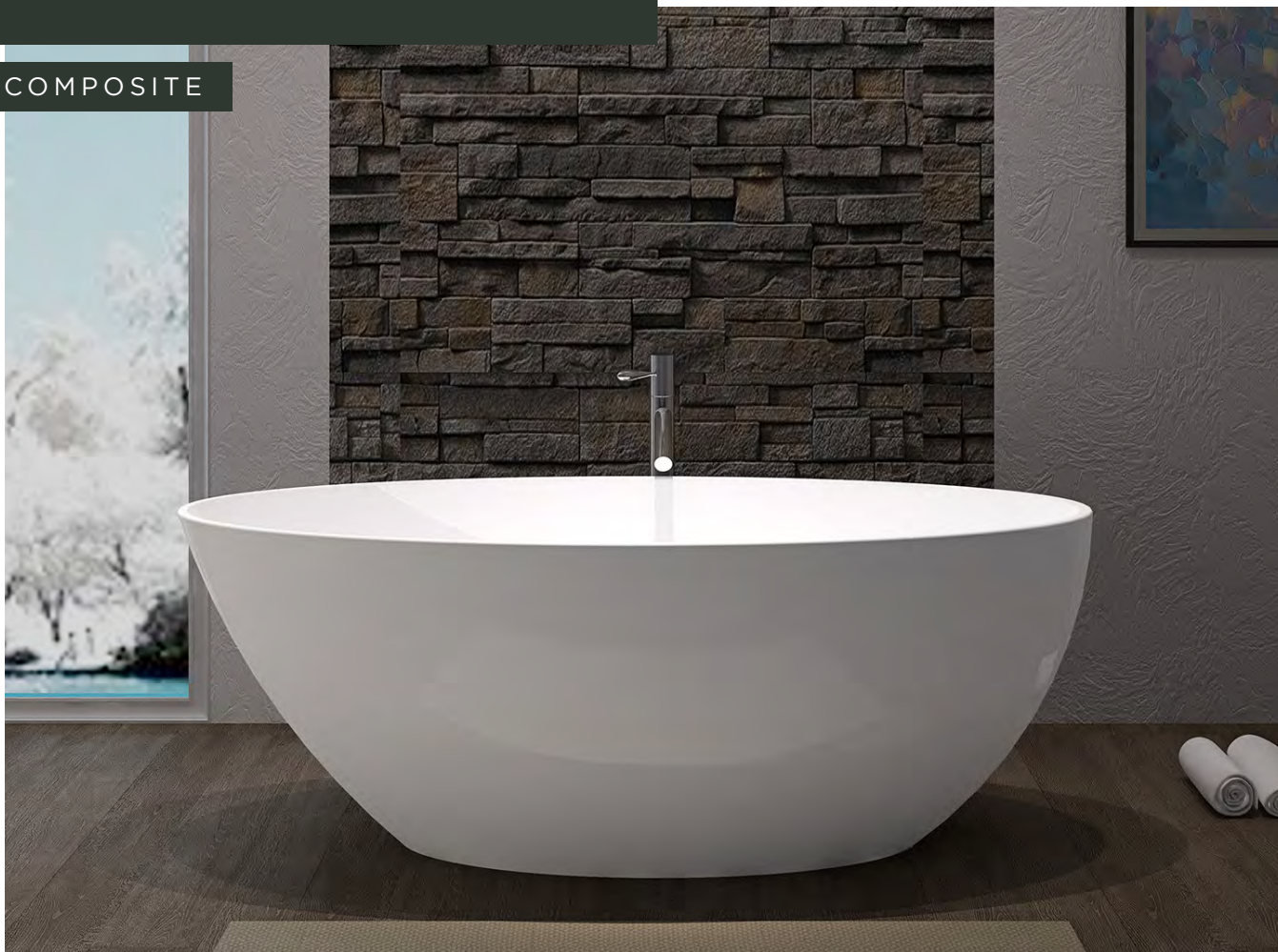




Aida

COMPOSITE

FREESTANDING

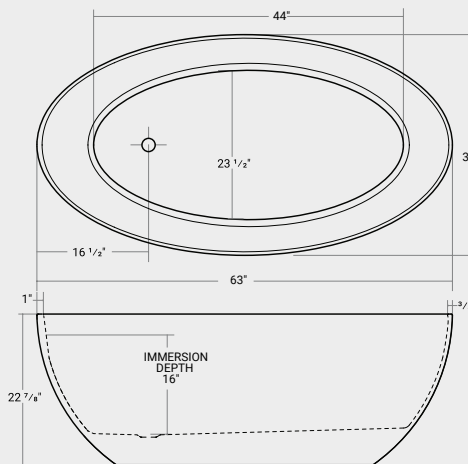


| Part# | List Price |
|-------|------------|
| 46520 | \$5,300 |

Dimensions:
63" x 34" x 22 7/8"

Immersion Depth:
16"

Capacity
81 US gallons



*** Rough-in EZ available for easy installation

Drain & Overflow

Pop-up Drain

- Polished Chrome - **01089**.....\$90
- Brushed Nickel - **01091**.....\$110
- Matte Black - **01092**.....\$130
- Oil Rubbed Bronze - **01093**.....\$130
- Polished Gold - **01094**.....\$140
- White (Default)- **01095**.....\$110

Accessories

Pillows

- **08010** \$100
- **08012** \$140
- **08014** \$120
- **08016** \$270

Roughin Ez

- Rough-in Ez - 01086\$130





Delfina

COMPOSITE

FREESTANDING



| Part# | List Price |
|-------|------------|
| 46522 | \$5,720 |

Dimensions:

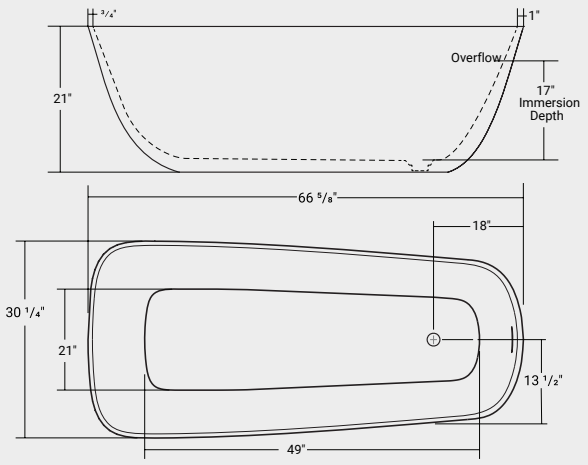
66 5/8" x 30 1/4" x 21"

Immersion Depth:

17"

Capacity

97 US gallons



*** Rough-in EZ available for easy installation

Drain & Overflow

Pop-up Drain

- Polished Chrome - **01089**.....\$90
- Brushed Nickel - **01091**.....\$110
- Matte Black - **01092**.....\$130
- Oil Rubbed Bronze - **01093**.....\$130
- Polished Gold - **01094**.....\$140
- White (Default)- **01095**.....\$110

Accessories

Pillows

- **08010** \$100
- **08012** \$140
- **08014** \$120
- **08016** \$270

Roughin Ez

Rough-in Ez - 01086 \$130



Gauguin

COMPOSITE

FREESTANDING



| Part# | List Price |
|-------|------------|
| 46512 | \$4,090 |

Dimensions:

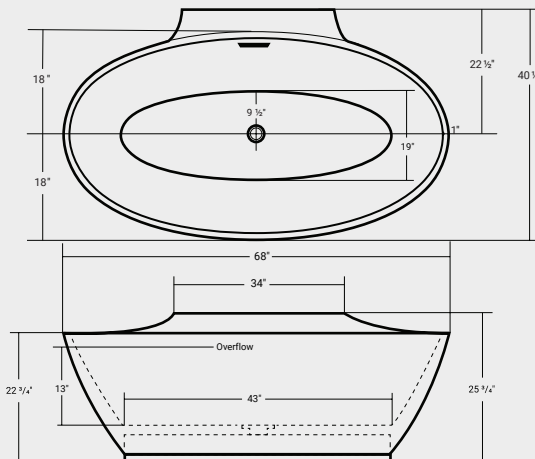
68" x 40 1/2" x 25 3/4"

Immersion Depth:

13"

Capacity

75-85 US Gallons



Drain & Overflow

Pop-up Drain

- Polished Chrome - **01089**.....\$90
- Brushed Nickel - **01091**.....\$110
- Matte Black - **01092**.....\$130
- Oil Rubbed Bronze - **01093**.....\$130
- Polished Gold - **01094**.....\$140
- White (Default)- **01095**.....\$110

Accessories

Pillows

- **08010** \$100
- **08012** \$140
- **08014** \$120
- **08016** \$270

Roughin Ez

Rough-in Ez - 01086 \$130





Juliet

COMPOSITE

FREESTANDING

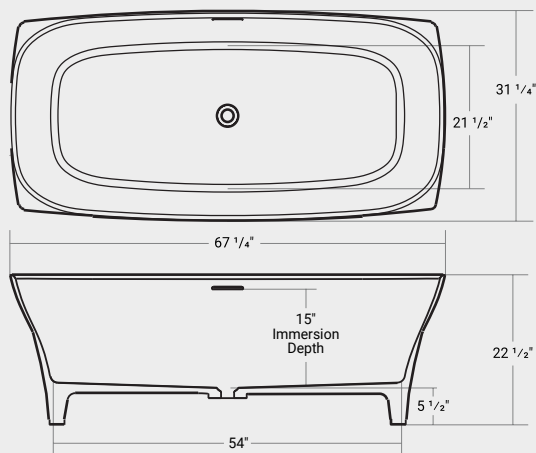


| Part# | List Price |
|-------|------------|
| 46521 | \$4,460 |

Dimensions:
67 1/4" x 31 1/4" x 22 1/2"

Immersion Depth:
15"

Capacity
86 US Gallons



*** Rough-in EZ available for easy installation

Drain & Overflow

Pop-up Drain

- Polished Chrome - **01089**.....\$90
- Brushed Nickel - **01091**.....\$110
- Matte Black - **01092**.....\$130
- Oil Rubbed Bronze - **01093**.....\$130
- Polished Gold - **01094**.....\$140
- White (Default)- **01095**.....\$110

Accessories

Pillows

- **08010** \$100
- **08012** \$140
- **08014** \$120
- **08016** \$270

Roughin Ez

- Rough-in Ez - 01086 \$130





Justina

COMPOSITE

FREESTANDING



| Part# | List Price |
|-------|------------|
| 46524 | \$5,300 |

Dimensions:

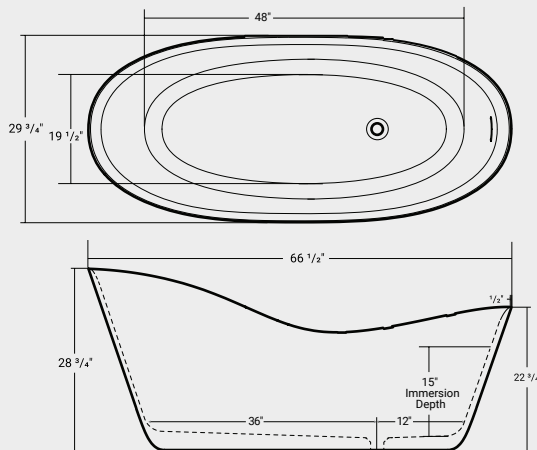
66 1/2" x 29 3/4" x 28 3/4"

Immersion Depth:

15"

Capacity

70 US Gallons



*** Rough-in EZ available for easy installation

Drain & Overflow

Pop-up Drain

- Polished Chrome - **01089**.....\$90
- Brushed Nickel - **01091**.....\$110
- Matte Black - **01092**.....\$130
- Oil Rubbed Bronze - **01093**.....\$130
- Polished Gold - **01094**.....\$140
- White (Default)- **01095**.....\$110

Accessories

Pillows

- **08010** \$100
- **08012** \$140
- **08014** \$120
- **08016** \$270

Roughin Ez

Rough-in Ez - 01086 \$130





Palermo

COMPOSITE

FREESTANDING

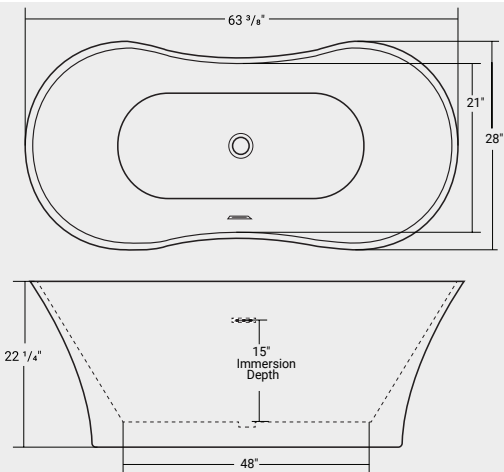


| Part# | List Price |
|-------|------------|
| 46507 | \$4,240 |

Dimensions:
63 3/8" x 28" x 22 1/4"

Immersion Depth:
15"

Capacity
64 US Gallons



*** Rough-in EZ available for easy installation

Drain & Overflow

Pop-up Drain

- Polished Chrome - **01089**.....\$90
- Brushed Nickel - **01091**.....\$110
- Matte Black - **01092**.....\$130
- Oil Rubbed Bronze - **01093**.....\$130
- Polished Gold - **01094**.....\$140
- White (Default)- **01095**.....\$110

Accessories

Pillows

- **08010** \$100
- **08012** \$140
- **08014** \$120
- **08016** \$270

Roughin Ez

Rough-in Ez - 01086 \$130





Poeta

COMPOSITE

FREESTANDING

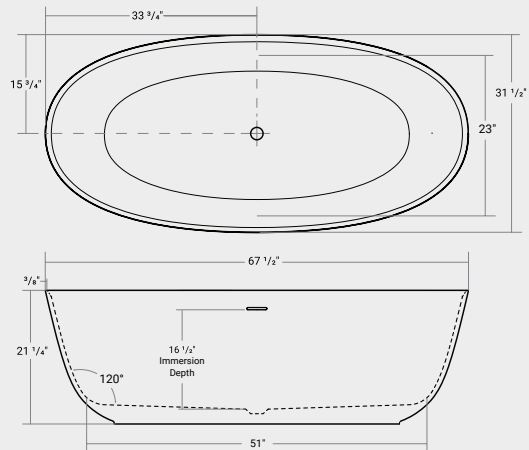


| Part# | List Price |
|-------|------------|
| 46523 | \$5,460 |

Dimensions:
67 1/2" x 31 1/2" x 21 1/4"

Immersion Depth:
16 1/2"

Capacity
81 US Gallons



*** Rough-in EZ available for easy installation

Drain & Overflow

Pop-up Drain

- Polished Chrome - **01089**.....\$90
- Brushed Nickel - **01091**.....\$110
- Matte Black - **01092**.....\$130
- Oil Rubbed Bronze - **01093**.....\$130
- Polished Gold - **01094**.....\$140
- White (Default)- **01095**.....\$110

Accessories

Pillows

- **08010** \$100
- **08012** \$140
- **08014** \$120
- **08016** \$270

Roughin Ez

Rough-in Ez - 01086 \$130





Sicilian

COMPOSITE

FREESTANDING

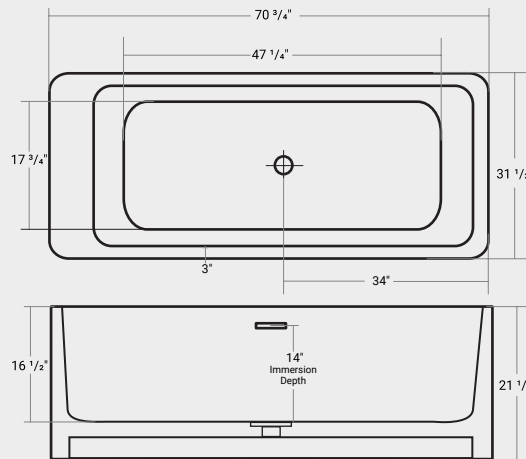


| Part# | List Price |
|-------|------------|
| 46513 | \$5,280 |

Dimensions:
70 3/4" x 31 1/2" x 21 1/2"

Immersion Depth:
14"

Capacity
88 US Gallons



*** Rough-in EZ available for easy installation

Drain & Overflow

Pop-up Drain

- Polished Chrome - **01089**.....\$90
- Brushed Nickel - **01091**.....\$110
- Matte Black - **01092**.....\$130
- Oil Rubbed Bronze - **01093**.....\$130
- Polished Gold - **01094**.....\$140
- White (Default)- **01095**.....\$110

Accessories

Pillows

- **08010** \$100
- **08012** \$140
- **08014** \$120
- **08016** \$270

Roughin Ez

Rough-in Ez - 01086 \$130





Semi-Freestanding Bath Quick Reference

Upgrades & Accessories

| | |
|-----------------------------|-------------------------------------|
| Acrylic | Accessories & Compatibility.....142 |
| Upgrade Compatibility | 140 |
| Upgrade Options..... | 141 |

Acrylic

| 59" | Dimensions | Part # | MSRP | Page |
|--------------|-------------------------|---------------|-------------|-------------|
| Bergamo 59 | 59" x 31 1/2" x 23 5/8" | 44277 | \$3,160 | 144 |
| Milla LH | 59" x 30 3/4" x 23 5/8" | 44605 | \$ 2,940 | 146 |
| Milla RH | 59" x 30 3/4" x 23 5/8" | 44606 | \$ 2,940 | 146 |
| Niche LH | 59 1/4" x 32 1/4" x 23" | 44601 | \$ 2,450 | 147 |
| Niche RH | 59 1/4" x 32 1/4" x 23" | 44602 | \$ 2,450 | 147 |
| Rochelle 59 | 59" x 31 1/2" x 23 1/4" | 44275 | \$ 2,960 | 148 |
| Vanessa | 59" x 29 5/8" x 22 7/8" | 44335 | \$ 2,040 | 149 |
| 66" + | Dimensions | Part # | MSRP | Page |
| Bergamo 67 | 67" x 31 1/2" x 23 5/8" | 44278 | \$3,360 | 144 |
| Fiona | 66" x 31 1/2" x 23 5/8" | 44282 | \$ 3,380 | 145 |
| Rochelle 67 | 67" x 31 1/2" x 23 1/4" | 44276 | \$ 3,160 | 148 |



Semi-Freestanding Bath Upgrades

Chromatherapy

Immerse yourself within a sea of light created by a dual mini-light Chromatherapy system. Bathers can choose between red, orange, yellow, green, blue, turquoise, and magenta, or cycle through a range of 9 blended colours. Combine Chromatherapy with a massage system to create a total spa experience.

Lateral Air

16 jets mounted around the perimeter of the bathing well infuse the water with a soothing stream of massaging bubbles. A ceramic heating core preheats the air as a 600-Watt Panasonic™ blower delivers a steady stream of warm air bubbles to the bather. Use the variable speed control pad to vary the intensity of the massage to your mood.

Enjoy peace of mind in knowing that all blowers are preprogrammed with an auto-drying cycle to clean and dry the system after every use.

HydroMassage

The hydromassage is the most vigorous of all available upgrades, featuring a $\frac{3}{4}$ hp high efficiency pump. Bath water circulates through 6 or more adjustable jets to deliver targeted massaging action with variable levels of intensity. Upgrade this massage system by adding additional jets or adding an in-line heater to help maintain your bath's water temperature.

ComfortWarm™

ComfortWarm™ uses radiant heat technology to directly heat the surface of the bathtub's back-rest. Use the three heat settings to adjust the heat intensity at any time with a simple press of the electronic touchpad.

VIBE Sound

The Vibe System allows you to enjoy your music or radio at the touch of a button in your shower or bathtub. The vibes of the music are synchronized with a Chromatherapy system that will change colors in synch with every beat of your favorite music.

Aromatherapy

Only a few drops of fragrance are needed. The system works using a pump which leads the air towards the receptacle which is filled with a combination of water and a few essential oil drops. Once the aromatherapy system is turned on, the diffuser spreads the natural scent of the essential oil into the ambient air.



Semi-Freestanding Acrylic Bath Upgrade Compatibility

| Products | ComfortWarm™ | Roughin EZ | Chromatherapy | Lateral Air | VIBE Sound | Aromatherapy | Deck Mount |
|----------|--------------|------------|---------------|-------------|------------|--------------|------------|
| Bergamo | x2 | + | + | + | I or II | + | + |
| Fiona | x2 | + | + | + | I or II | + | + |
| Milla | x1 | + | + | n/a | I or II | + | + |
| Niche | x1 | + | + | + | I or II | + | n/a |
| Rochelle | x2 | + | + | + | I or II | + | n/a |
| Vanessa | x2 | + | + | + | I or II | + | n/a |

* n/a = not available

* + = available

*VIBE Sound I = Keypad, VIBE Sound II = Remote Control

Please note for putting together multiple upgrades contact Acritec Customer Service at customerservice@acritec.com.

Semi-Freestanding Acrylic Bath Upgrade Options

| Lateral Air | Part # | MSRP |
|---|--------|---------|
| 16 Jet Air System | | |
| - White | 00021 | \$2,150 |
| - Brushed Nickel | 00023 | \$2,430 |
| - Polished Chrome | 00024 | \$2,300 |
| - Remote control for air blower | 00133 | \$480 |
| - Remote Location kit for air blower (12' extra cable & hose) | 00131 | \$330 |
| Sound Deadening Pump Pad | 00160 | \$50 |
| Variable Air Blower (Replacement) | 00180 | \$770 |
| Custom Jet System | 00155 | \$250 |





Semi-Freestanding Acrylic Bath Upgrade Options

| Chromatherapy Lights | Part # | MSRP |
|----------------------|--------|-------|
| 2 x White Finish | 01020 | \$580 |
| 2 x Chrome Finish | 01021 | \$580 |



| VIBE Sound System | | |
|---|-------|---------|
| VIBE I + Chromatherapy Lights | | |
| 2x Speakers + 2x Chromatherapy Lights (White Finish) + Advanced Keypad | 01022 | \$1,970 |
| 2x Speakers + 2x Chromatherapy Lights (Chrome Finish) + Advanced Keypad | 01023 | \$1,970 |



| VIBE II + Chromatherapy Lights (For Most Freestanding Tubs) | | |
|--|-------|---------|
| 2x Speakers + 2x Chromatherapy Lights (White Finish) + Remote Control | 01024 | \$2,450 |
| 2x Speakers + 2x Chromatherapy Lights (Chrome Finish) + Remote Control | 01025 | \$2,450 |



| Aromatherapy System | | |
|--------------------------|-------|-------|
| Diffuser System + Keypad | 01030 | \$500 |

| ComfortWarm™ | Part # | MSRP |
|--|----------|---------|
| 1x ComfortWarm™ Heated Backrest (70W) | 01040-01 | \$1,020 |
| 2x ComfortWarm™ Heated Backrests (2x35W) | 01040-02 | \$1,260 |

| Roughin EZ | Part # | MSRP |
|-----------------------------|--------|-------|
| Easy installation drain kit | 01086 | \$130 |

Roughin EZ

The Roughin EZ Drain provides an easy way to install a free standing bathtub. Kit includes a reusable test plug, twist lock coupling, brass tailpiece, nut and flat washer.





Semi-Freestanding Acrylic Bath Accessories

| Popup Drain + Overflow Cover Plate | Part # | MSRP |
|------------------------------------|--------|-------|
| Polished Chrome (cover plate only) | 01085 | \$220 |
| Brushed Nickel | 01080 | \$460 |
| Matte Black | 01084 | \$310 |
| Oil Rubbed Bronze | 01079 | \$530 |
| Polished Gold | 01078 | \$610 |



*Overflow cover plate for upgraded finishes need to be factory installed.

| Popup Drain Only (for slotted freestanding tubs) | Part # | MSRP |
|--|---------|-------|
| Polished Chrome | 01089 | \$90 |
| Brushed Nickel | 01091 | \$110 |
| Matte Black | 01092 | \$130 |
| Oil Rubbed Bronze | 01093 | \$130 |
| Polished Gold | 01094 | \$140 |
| White | 01095 | \$110 |
| Brass Assembly | 01098 | \$40 |
| Gasket (Replacement) | 01099-G | \$10 |
| Cartridge (Replacement) | 01099-C | \$40 |



Semi-Freestanding Acrylic Bath Accessories Compatibility

| Products | Upgraded Finishes | | | | |
|----------|-------------------|----------------|-------|-------------------|------|
| | Chrome | Brushed Nickel | Black | Oil Rubbed Bronze | Gold |
| Fiona | + | + | + | + | + |
| Milla | + | + | + | + | + |
| Niche | + | + | + | + | + |
| Rochelle | + | + | + | + | + |
| Vanessa | + | + | + | + | + |

* n/a = not available * + = available



Bath Pillows



08010

Pillow | Contoured | Compatible with all Acritec baths

Dimensions

11 7/8" x 4 3/8"

Colour

Black

MSRP - \$100



08012

Pillow | Premium | Compatible with all Acritec baths

Dimensions

11 1/2" x 6 1/2"

Colour

Black

MSRP - \$140



08014

Pillow | Contoured | For baths with rounded backrests

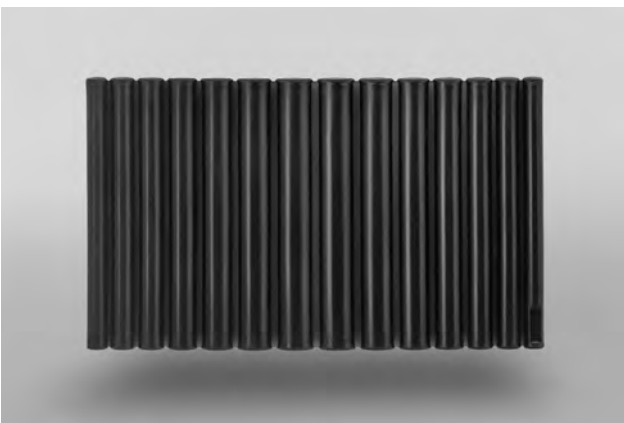
Dimensions

11 1/2" x 3 1/8"

Colour

Black

MSRP - \$120



08016

Pillow | Premium | Compatible with all Acritec baths

Dimensions

15 3/4" x 10 1/4"

Colour

Black

MSRP - \$270



Bergamo

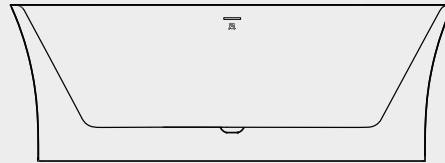
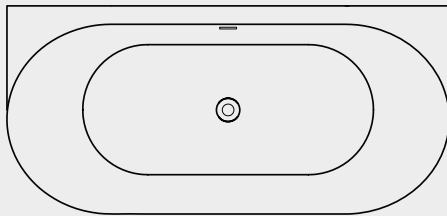
ACRYLIC

NEW

SEMI-FREESTANDING



Faucet not included



| Name | Part # | Dimensions | Height | Immersion Depth | Approx Capacity | MSRP |
|------|--------|---------------|---------|-----------------|-----------------|---------|
| 59" | 44277 | 59" x 31 1/2" | 23 5/8" | 15 1/2" | 60.7 US Gallons | \$3,160 |
| 67" | 44278 | 67" x 31 1/2" | 23 5/8" | 15 1/2" | 71.3 US Gallons | \$3,360 |

*** Rough-in EZ available for easy installation

Drain & Overflow

Pop-up Drain

- Polished Chrome - **01089**.....\$90
- Brushed Nickel - **01091**.....\$110
- Matte Black - **01092**.....\$130
- Oil Rubbed Bronze - **01093**.....\$130
- Polished Gold - **01094**.....\$140
- White (Default)- **01095**.....\$110

Overflow Cover Plate

- Polished Chrome - **01085**.....\$220
- Brushed Nickel - **01080**.....\$460
- Matte Black - **01084**.....\$310
- Oil Rubbed Bronze - **01079**.....\$530
- Polished Gold - **01078**.....\$610

Upgrades

Chromatherapy

- White - **01020**.....\$580
- Polished Chrome - **01021**.....\$580

Comfort Warm™

- Single - **01040-01**.....\$1,020
- Dual - **01040-02**.....\$1,260

Aromatherapy

- Aromatherapy - **01030**.....\$500

Vibe Sound System - See Page - 141

Jetting Options

16 Jet Air System

- White - 00021.....\$2,150
- Brushed Nickel - 00023.....\$2,430
- Polished Chrome - 00024.....\$2,300

Rough-in Ez - 01086.....\$130

Additional Upgrades

See Page - 141 - 142

Recommended: if the Semi-freestanding tub is going against the wall, the tub to be installed with the supplied tiling flange.





Fiona

ACRYLIC

SEMI-FREESTANDING

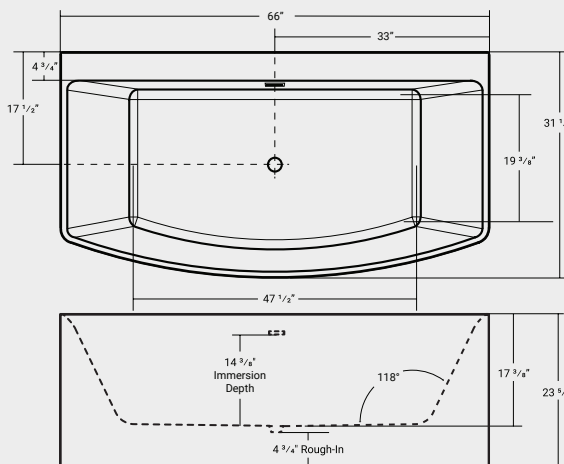


| Part# | List Price |
|-------|------------|
| 44282 | \$3,380 |

Dimensions:
66" x 31 1/2" x 23 5/8"

Immersion Depth:
14 3/8"

Capacity
63 US gallons



*** Rough-in EZ available for easy installation

Drain & Overflow

Pop-up Drain

- Polished Chrome - **01089**.....\$90
- Brushed Nickel - **01091**.....\$110
- Matte Black - **01092**.....\$130
- Oil Rubbed Bronze - **01093**.....\$130
- Polished Gold - **01094**.....\$140
- White (Default)- **01095**.....\$110

Overflow Cover Plate

- Polished Chrome - **01085**.....\$220
- Brushed Nickel - **01080**.....\$460
- Matte Black - **01084**.....\$310
- Oil Rubbed Bronze - **01079**.....\$530
- Polished Gold - **01078**.....\$610

Upgrades

Chromatherapy

- White - **01020**.....\$580
- Polished Chrome - **01021**.....\$580

Comfort Warm™

- Single - **01040-01**.....\$1,020
- Dual - **01040-02**.....\$1,260

Aromatherapy

- Aromatherapy - **01030**.....\$500

Vibe Sound System - See Page - 141

Jetting Options

16 Jet Air System

- White - 00021.....\$2,150
- Brushed Nickel - 00023.....\$2,430
- Polished Chrome - 00024.....\$2,300

Rough-in Ez - 01086.....\$130

Additional Accessories

See Page - 141 - 142

Recommended: if the Semi-freestanding tub is going against the wall, the tub to be installed with the supplied tiling flange.



Milla

ACRYLIC

SEMI-FREESTANDING

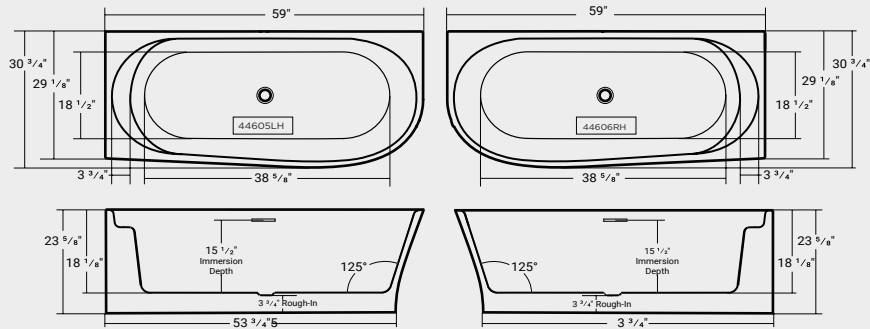


| Part # | List Price |
|------------|------------|
| LH - 44605 | \$2,940 |
| RH - 44606 | \$2,940 |

Dimensions:
59" x 30 3/4" x 23 5/8"

Immersion Depth:
15 1/2"

Capacity
48 US gallons



*** Rough-in EZ available for easy installation

Drain & Overflow

Pop-up Drain

- Polished Chrome - **01089**.....\$90
- Brushed Nickel - **01091**.....\$110
- Matte Black - **01092**.....\$130
- Oil Rubbed Bronze - **01093**.....\$130
- Polished Gold - **01094**.....\$140
- White (Default)- **01095**.....\$110

Overflow Cover Plate

- Polished Chrome - **01085**.....\$220
- Brushed Nickel - **01080**.....\$460
- Matte Black - **01084**.....\$310
- Oil Rubbed Bronze - **01079**.....\$530
- Polished Gold - **01078**.....\$610

Upgrades

Chromatherapy

- White - **01020**.....\$580
- Polished Chrome - **01021**.....\$580

Comfort Warm™

- Single - **01040-01**.....\$1,020
- Dual - **01040-02**.....\$1,260

Aromatherapy

- Aromatherapy - **01030**.....\$500

Vibe Sound System - See Page - 141

Jetting Options

16 Jet Air System

- White - 00021.....\$2,150
- Brushed Nickel - 00023.....\$2,430
- Polished Chrome - 00024.....\$2,300

Rough-in Ez - 01086.....\$130

Additional Accessories

See Page - 141 - 142

Recommended: if the Semi-freestanding tub is going against the wall, the tub to be installed with the supplied tiling flange.



Niche

ACRYLIC

SEMI-FREESTANDING

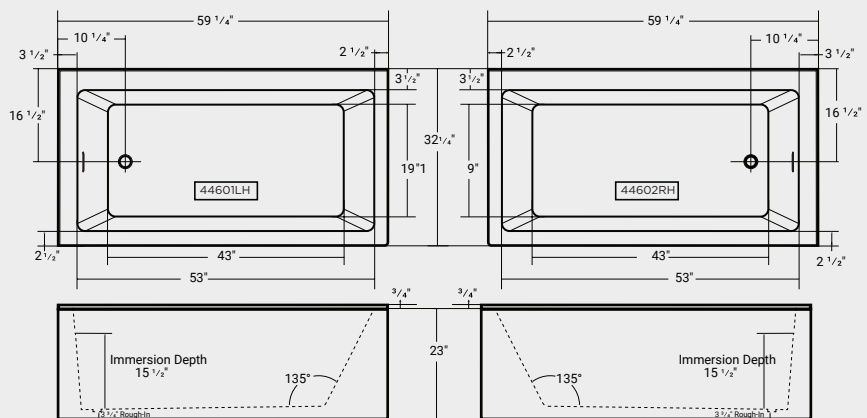


| Part# | List Price |
|------------|------------|
| LH - 44601 | \$2,450 |
| RH - 44602 | \$2,450 |

Dimensions:
59 1/4" x 32 1/4" x 23"

Immersion Depth:
15 1/2"

Capacity
63 US gallons



*** Rough-in EZ available for easy installation

Drain & Overflow

Pop-up Drain

- Polished Chrome - **01089**.....\$90
- Brushed Nickel - **01091**.....\$110
- Matte Black - **01092**.....\$130
- Oil Rubbed Bronze - **01093**.....\$130
- Polished Gold - **01094**.....\$140
- White (Default)- **01095**.....\$110

Overflow Cover Plate

- Polished Chrome - **01085**.....\$220
- Brushed Nickel - **01080**.....\$460
- Matte Black - **01084**.....\$310
- Oil Rubbed Bronze - **01079**.....\$530
- Polished Gold - **01078**.....\$610

Upgrades

Chromatherapy

- White - **01020**.....\$580
- Polished Chrome - **01021**.....\$580

Comfort Warm™

- Single - **01040-01**.....\$1,020
- Dual - **01040-02**.....\$1,260

Aromatherapy

- Aromatherapy - **01030**.....\$500

Vibe Sound System - See Page - 141

Jetting Options

16 Jet Air System

- White - 00021.....\$2,150
- Brushed Nickel - 00023.....\$2,430
- Polished Chrome - 00024.....\$2,300

Rough-in Ez - 01086.....\$130

Additional Accessories

See Page - 141 - 142

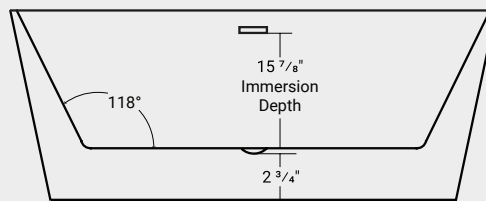
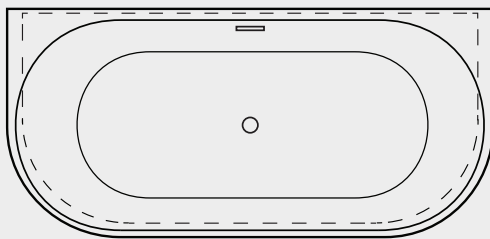
Recommended: if the Semi-freestanding tub is going against the wall, the tub to be installed with the supplied tilling flange.



Rochelle

ACRYLIC

SEMI-FREESTANDING



| Name | Part # | Dimensions | Height | Immersion Depth | Capacity | MSRP |
|------|--------|-------------------|---------|-----------------|-----------|---------|
| 59" | 44275 | 59" x 31 1/2" | 23 1/4" | 15 7/8" | 53 US Gal | \$2,960 |
| 67" | 44276 | 66 7/8" x 31 1/2" | 23 1/4" | 15 7/8" | 71 US Gal | \$3,160 |

*** Rough-in EZ available for easy installation

Drain & Overflow

Pop-up Drain

- Polished Chrome - **01089**.....\$90
- Brushed Nickel - **01091**.....\$110
- Matte Black - **01092**.....\$130
- Oil Rubbed Bronze - **01093**.....\$130
- Polished Gold - **01094**.....\$140
- White (Default)- **01095**.....\$110

Overflow Cover Plate

- Polished Chrome - **01085**.....\$220
- Brushed Nickel - **01080**.....\$460
- Matte Black - **01084**.....\$310
- Oil Rubbed Bronze - **01079**.....\$530
- Polished Gold - **01078**.....\$610

Upgrades

Chromatherapy

- White - **01020**.....\$580
- Polished Chrome - **01021**.....\$580

Comfort Warm™

- Single - **01040-01**.....\$1,020
- Dual - **01040-02**.....\$1,260

Aromatherapy

- Aromatherapy - **01030**.....\$500

Vibe Sound System - See Page - 141

Jetting Options

16 Jet Air System

- White - 00021.....\$2,150
- Brushed Nickel - 00023.....\$2,430
- Polished Chrome - 00024.....\$2,300

Rough-in Ez - 01086 \$130

Additional Accessories

See Page - 141 - 142

Recommended: if the Semi-freestanding tub is going against the wall, the tub to be installed with the supplied tiling flange.





Vanessa

ACRYLIC



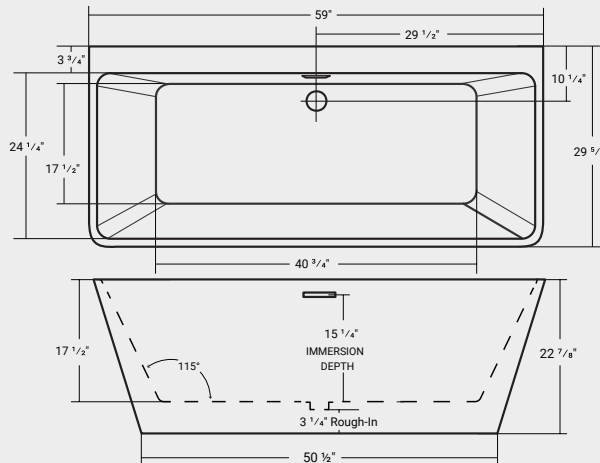
SEMI-FREESTANDING

| Part# | List Price |
|-------|------------|
| 44335 | \$2,040 |

Dimensions:
59" x 29 5/8" x 22 7/8"

Immersion Depth:
15 1/4"

Capacity
60 US gallons



*** Rough-in EZ available for easy installation

Drain & Overflow

Pop-up Drain

- Polished Chrome - **01089**.....\$90
- Brushed Nickel - **01091**.....\$110
- Matte Black - **01092**.....\$130
- Oil Rubbed Bronze - **01093**.....\$130
- Polished Gold - **01094**.....\$140
- White (Default)- **01095**.....\$110

Overflow Cover Plate

- Polished Chrome - **01085**.....\$220
- Brushed Nickel - **01080**.....\$460
- Matte Black - **01084**.....\$310
- Oil Rubbed Bronze - **01079**.....\$530
- Polished Gold - **01078**.....\$610

Upgrades

Chromatherapy

- White - **01020**.....\$580
- Polished Chrome - **01021**.....\$580

Comfort Warm™

- Single - **01040-01**.....\$1,020
- Dual - **01040-02**.....\$1,260

Aromatherapy

- Aromatherapy - **01030**.....\$500

Vibe Sound System - See Page - 141

Jetting Options

16 Jet Air System

- White - 00021.....\$2,150
- Brushed Nickel - 00023.....\$2,430
- Polished Chrome - 00024.....\$2,300

Rough-in Ez - 01086\$130

Additional Accessories

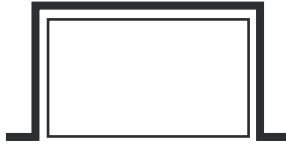
See Page - 141 - 142

Recommended: if the Semi-freestanding tub is going against the wall, the tub to be installed with the supplied tiling flange.





Shower Bases



Single Threshold

Low Profile

| | |
|-------------------|-----|
| Center Drain..... | 153 |
| End Drain..... | 155 |

Regular Profile

| | |
|-------------------|-----|
| Center Drain..... | 156 |
| Front Drain..... | 157 |

Covered Drain

| | |
|-------------------|-----|
| Center Drain..... | 158 |
| End Drain..... | 159 |

Minimalist

| | |
|-------------------|-----|
| Center Drain..... | 161 |
|-------------------|-----|

Linear

| | |
|----------------|-----|
| End Drain..... | 162 |
|----------------|-----|

Barrier Free

| | |
|-------------------|-----|
| Center Drain..... | 163 |
| End Drain..... | 164 |



Double Threshold

Low Profile

| | |
|-------------------|-----|
| Center Drain..... | 166 |
|-------------------|-----|

Covered Drain

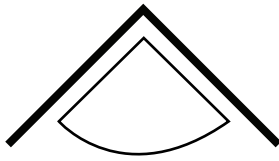
| | |
|-------------------|-----|
| Center Drain..... | 167 |
|-------------------|-----|

Minimalist

| | |
|-------------------|-----|
| Center Drain..... | 168 |
|-------------------|-----|

Linear

| | |
|----------------|-----|
| End Drain..... | 169 |
|----------------|-----|



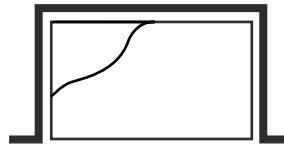
Corner

| | |
|------------------------|-----|
| Belly Round Front..... | 170 |
| Round Front..... | 171 |
| Neo Angle..... | 172 |



Solid Surface

| | |
|-------------------|-----|
| Slate Series..... | 174 |
|-------------------|-----|



Receptor

| | |
|-------------|-----|
| Pender..... | 173 |
|-------------|-----|



Composite

| | |
|-------------------|-----|
| End Drain..... | 175 |
| Barrier Free..... | 176 |
| Linear..... | 177 |



Shower Base Accessories

| Accessories | Item # | MRSP |
|---|--------|-------|
| Grill Cover 24 $\frac{7}{8}$ " (Chrome) for Replacement (60" x 30" & 60" x 32") | 02999 | \$250 |
| Grill Cover 28 $\frac{7}{8}$ " (Chrome) for Replacement (60" x 36") | 03000 | \$250 |
| Standard Shower Drain (White) | 03001 | \$22 |
| Standard Shower Drain (Chrome) | 03004 | \$36 |
| Standard Shower Drain (Black) | 03006 | \$110 |
| Square Cover for Replacement (7" x 7") | 03015 | \$70 |
| Rectangular Cover for Replacement (9 $\frac{3}{8}$ " x 6 $\frac{3}{8}$ ") | 03016 | \$70 |
| Collapsible Threshold (Barrier Free Showers) | 05010 | \$280 |
| End Caps for Collapsible Threshold (Barrier Free Showers) | 05011 | \$60 |

Note: measurements provided here-in are nominal and are approximate. Detailed measurements are listed on product specification sheets (available online).

Collapsible Threshold



End Caps





Low Profile

SINGLE THRESHOLD | CENTER DRAIN



SHOWER BASE

Compatible Shower Doors

*A Series - Centre Drain
Height: 3 7/8"

| Dimensions (Width x Depth) | Part # | MSRP | Abbott Series | Ruxton | Cortez | Ebony |
|-------------------------------|--------|---------|--|---|---|---|
| | | | 10 & 8mm Chrome Section 7 Pg. 181 | 6mm Chrome Section 7 Pg. 190 | 8mm Chrome Section 7 Pg. 183 - 184 | 6mm Matte Black Section 7 Pg. 185 -186 |
| 32" x 32" | 63032A | \$460 | - | 51106 | - | - |
| 32" x 36" | 63041 | \$700 | - | 51106 | - | - |
| 34" x 34" | 63081A | \$1,340 | - | 51126 | - | - |
| 34" x 36" | 63085 | \$1,300 | - | 51126 | - | - |
| 36" x 32" | 63092A | \$680 | - | 51146 | - | 51723 |
| 36" x 34" | 63101 | \$790 | - | 51146 | - | 51723 |
| 36" x 36" | 63112A | \$580 | - | 51146 | - | 51723 |

NS: These sizes are made to order and are generally non-stocking items. Please allow for manufacturing time.
NS models not returnable once ordered.

* Refer to shower door section for additional finish options.





Low Profile

Single Threshold | Center Drain

Compatible Shower Doors

*A Series - Centre Drain
Height: 3 7/8"

| Dimensions (Width x Depth) | Part # | MSRP | Abbott Series | Ruxton | Cortez / Pristina | Ebony |
|-------------------------------|----------|---------|---|--|--|--|
| | | | 10 & 8mm Chrome Section 7, Pg. 181 | 6mm Chrome Section 7, Pg. 190 | 8mm Chrome Section 7, Pg. 183-184 | 6mm Matte Black Section 7, Pg. 185 -186 |
| 42" x 30" | NS 63157 | \$850 | - | 51166 | 51603.S42LH or 51803 | - |
| 42" x 32" | 63162A | \$640 | - | 51166 | | - |
| 42" x 34" | NS 63172 | \$930 | - | 51166 | | - |
| 42" x 36" | 63182A | \$700 | - | 51166 | | - |
| 42" x 42" | 63192A | \$750 | - | 51166 | | - |
| 42" x 48" | NS 63202 | \$950 | - | 51166 | | - |
| 48" x 30" | 63211A | \$680 | 57063 | 51184 | 51603.S48LH or 51606.S48RH | 51723.51733 |
| 48" x 32" | 63221A | \$700 | 57063 | 51184 | | 51723.51733 |
| 48" x 34" | 63241A | \$930 | 57063 | 51184 | | 51723.51733 |
| 48" x 36" | 63251A | \$640 | 57063 | 51184 | | 51723.51733 |
| 48" x 42" | 63271 | \$860 | 57063 | 51184 | | 51723.51733 |
| 48" x 48" | 63291A | \$920 | 57063 | 51184 | | 51723.51733 |
| 60" x 30" | 63322A | \$790 | 57073 | - | 51613.S60LH or 51616.S60RH | 51723.51743 |
| 60" x 32" | 63362A | \$800 | 57073 | | | 51723.51743 |
| 60" x 34" | 63402A | \$950 | 57073 | | | 51723.51743 |
| 60" x 36" | 63412A | \$830 | 57073 | | | 51723.51743 |
| 60" x 42" | 63451A | \$960 | 57073 | | | 51723.51743 |
| 66" x 32" | NS 63472 | \$1,220 | 57083 | - | 51613.S66LH or 51616.S66RH | - |
| 66" x 36" | NS 63492 | \$1,220 | 57083 | - | | - |
| 72" x 32" | NS 63512 | \$1,290 | 57093 | - | - | - |
| 72" x 36" | 63532A | \$1,290 | 57093 | - | | - |

NS: These sizes are made to order and are generally non-stocking items. Please allow for manufacturing time.
NS models not returnable once ordered.
* Refer to shower door section for additional finish options.



Low Profile

SINGLE THRESHOLD | END DRAIN



SHOWER BASE

Height: 3 7/8"

Compatible Shower Doors

| Dimensions (Width x Depth) | Left Drain Part # | Right Drain Part # | MSRP | Compatible Shower Doors | | | |
|-------------------------------|----------------------|-----------------------|-------|---|---|---|--|
| | | | | Abbott Series 10 & 8mm Chrome Section 7 Pg. 181 | Ruxton 6mm Chrome Section 7 Pg. 190 | Cortez 8mm Chrome Section 7 Pg. 183-184 | Ebony 6mm Matte Black Section 7 Pg. 185 -186 |
| 48" x 30" | 63214 | 63215 | \$750 | 57063 | 51184 | 51603.S48LH or 51606.S48RH | 51723.51733 |
| 48" x 32" | 63224 | 63225 | \$760 | 57063 | 51184 | 51606.S48RH | 51723.51733 |
| 60" x 30" | 63331A | 63351A | \$780 | 57073 | - | 51613.S60LH or 51616.S60RH | 51723.51743 |
| 60" x 32" | 63371A | 63391A | \$790 | 57073 | - | 51613.S60LH or 51616.S60RH | 51723.51743 |
| 60" x 36" | 63418A | 63419A | \$790 | 57073 | - | - | 51723.51743 |
| 60" x 42" | 63452A | 63453A | \$960 | 57073 | - | - | - |

* Refer to shower door section for additional finish options.





Regular Profile

SINGLE THRESHOLD | CENTER DRAIN

SHOWER BASE



Compatible Shower Doors

Height: 5"

| Dimensions (Width x Depth) | Part # | MSRP | Abbott Series | Ruxton | Cortez | Ebony |
|----------------------------|--------|---------|--|---------------------------------------|---|---|
| | | | 10 & 8mm Chrome Section 7 Pg. 181 | 6mm Chrome Section 7 Pg. 190 | 8mm Chrome Section 7 Pg. 183-184 | 6mm Matte Black Section 7 Pg. 185 -186 |
| 30" x 30" | 63001 | \$1,670 | - | - | - | - |
| 54" x 42" NS | 63315 | \$1,460 | - | - | - | - |
| 60" x 38" | 63431 | \$1,770 | 57073 | - | 51613.S60LH or 51616. S60RH | 51723.51743 |
| 60" x 40" | 63441 | \$1,780 | 57073 | - | | 51723.51743 |

NS: These sizes are made to order and are generally non-stocking items. Please allow for manufacturing time.

NS models not returnable once ordered.

* Refer to shower door section for additional finish options.





Regular Profile

SINGLE THRESHOLD | FRONT DRAIN



SHOWER BASE

Height: 5"

Compatible Shower Doors

| Dimensions (Width x Depth) | Part # | MSRP | Abbott Series | Ruxton | Cortez | Ebony |
|----------------------------|----------|---------|--|---------------------------------------|---|---|
| | | | 10 & 8mm Chrome Section 7 Pg. 181 | 6mm Chrome Section 7 Pg. 190 | 8mm Chrome Section 7 Pg. 183-184 | 6mm Matte Black Section 7 Pg. 185 -186 |
| 30" x 54" | 63011 | \$1,670 | - | - | - | - |
| 30" x 60" | 63021 | \$1,670 | - | - | - | - |
| 32" x 48" | 63051 | \$1,160 | - | 51106 | - | - |
| 32" x 54" | 63061 | \$1,310 | - | 51106 | - | - |
| 32" x 60" | 63071 | \$1,340 | - | 51106 | - | - |
| 36" x 42" | 63121 | \$980 | - | 51146 | - | 51723 |
| 36" x 48" | 63131 | \$1,090 | - | 51146 | - | 51723 |
| 36" x 54" | NS 63141 | \$1,310 | - | 51146 | - | 51723 |
| 36" x 60" | NS 63151 | \$1,340 | - | 51146 | - | 51723 |

NS: These sizes are made to order and are generally non-stocking items. Please allow for manufacturing time. NS models not returnable once ordered.

* Refer to shower door section for additional finish options.





Covered Drain

SINGLE THRESHOLD | CENTER DRAIN DRAIN

SHOWER BASE



Height: 3"

Compatible Shower Doors

| Dimensions (Width x Depth) | Part # | MSRP | Compatible Shower Doors | | | |
|----------------------------|--------|---------|---|---|--|--|
| | | | Abbott Series 10 & 8mm Chrome Section 7 Pg. 181 | Ruxton 6mm Chrome Section 7 Pg. 190 | Cortez / Pristina 8mm Chrome Section 7 Pg. 183-184 | Ebony 6mm Matte Black Section 7 Pg. 185 -186 |
| 32" x 32" | 63034 | \$700 | - | 51106 | - | - |
| 36" x 36" | 63114 | \$770 | - | 51146 | - | 51723 |
| 42" x 36" | 63184 | \$960 | - | 51166 | 51603.S42LH or 51803 | - |
| 48" x 32" | 63223 | \$920 | 57063 | 51184 | 51603.S48LH or 51606.S48RH | 51723.51733 |
| 48" x 36" | 63243 | \$960 | | | | |
| 48" x 36" | 63254 | \$970 | 57063 | 51184 | | 51723.51733 |
| 60" x 32" | 63364 | \$1,020 | 57073 | | 51613.S60LH or 51616.S60RH | 51723.51743 |
| 60" x 34" | 63404 | \$1,010 | | - | | |
| 60" x 36" | 63414 | \$1,030 | 57073 | | | |

Replacement Covers:

| | | | |
|--------|---------|-------|------|
| Square | 7" x 7" | 03015 | \$70 |
|--------|---------|-------|------|



* Refer to shower door section for additional finish



Covered Drain

Left Hand
Shown

SINGLE THRESHOLD | END DRAIN



SHOWER
BASE

Height: 3"

Compatible Shower Doors

| Dimensions (Width x Depth) | Left Drain Part # | Right Drain Part # | MSRP | Compatible Shower Doors | | | |
|-------------------------------|----------------------|-----------------------|---------|---|---|---|--|
| | | | | Abbott Series 10 & 8mm Chrome Section 7 Pg. 181 | Ruxton 6mm Chrome Section 7 Pg. 190 | Cortez 8mm Chrome Section 7 Pg. 183-184 | Ebony 6mm Matte Black Section 7 Pg. 185 -186 |
| 60" x 30" | 63331CD | 63351CD | \$1,210 | 57073 | - | 51613.S60LH or 51616.S60RH | 51723.51743 |
| 60" x 32" | 63371CD | 63391CD | \$1,210 | 57073 | - | 51613.S60LH or 51616.S60RH | 51723.51743 |
| 60" x 36" | 63418CD | 63419CD | \$1,250 | 57073 | - | 51613.S60LH or 51616.S60RH | 51723.51743 |

Replacement Covers:

Square 7" x 7" 03015 \$70

* Refer to shower door section for additional finish options.





Minimalist





Minimalist

Single Threshold | Center Drain

Compatible Shower Doors

Height: 2 ½"

| | | | | Abbott Series 10 & 8mm Chrome Section 7 Pg. 181 | Ruxton 6mm Chrome Section 7 Pg. 190 | Cortez / Pristina 8mm Chrome Section 7 Pg. 183-184 | Ebony 6mm Matte Black Section 7 Pg. 185 -186 |
|-----------------------------------|----|---------------|-------------|--|--|---|---|
| Dimensions (Width x Depth) | | Part # | MSRP | | | | |
| 36" x 32" | NS | 63093 | \$890 | | 51146 | | 51723 |
| 36" x 34" | NS | 63102 | \$920 | - | 51146 | - | 51723 |
| 36" x 36" | | 63113 | \$900 | | 51146 | | 51723 |
| 42" x 30" | NS | 63158 | \$1,030 | | 51166 | | |
| 42" x 32" | NS | 63163 | \$1,040 | - | 51166 | 51603.S42LH or 51803 | - |
| 42" x 34" | NS | 63173 | \$1,050 | | 51166 | | |
| 42" x 36" | | 63183 | \$1,060 | | 51166 | | |
| 48" x 30" | NS | 63212 | \$1,120 | 57063 | 51184 | | 51723.51733 |
| 48" x 32" | | 63222 | \$1,180 | 57063 | 51184 | 51603.S48LH or | 51723.51733 |
| 48" x 34" | NS | 63242 | \$1,190 | 57063 | 51184 | 51606.S48RH | 51723.51733 |
| 48" x 36" | | 63252 | \$1,200 | 57063 | 51184 | | 51723.51733 |
| 54" x 30" | NS | 63308 | \$1,240 | | | | |
| 54" x 32" | NS | 63309 | \$1,250 | - | - | - | - |
| 54" x 34" | NS | 63310 | \$1,260 | | | | |
| 54" x 36" | NS | 63311 | \$1,280 | | | | |
| 60" x 30" | | 63323 | \$1,300 | 57073 | | | 51723.51743 |
| 60" x 32" | | 63363 | \$1,340 | 57073 | - | 51613.S60LH or | 51723.51743 |
| 60" x 34" | NS | 63403 | \$1,350 | 57073 | | 51616.S60RH | 51723.51743 |
| 60" x 36" | | 63413 | \$1,370 | 57073 | | | 51723.51743 |
| 66" x 32" | NS | 63473 | \$1,760 | 57083 | - | 51613.S66LH or 51616.S66RH | - |
| 66" x 36" | | 63493 | \$1,780 | 57083 | | | |
| 72" x 32" | NS | 63513 | \$1,820 | 57093 | - | | - |
| 72" x 36" | | 63533 | \$1,840 | 57093 | | | |

NS: These sizes are made to order and are generally non-stocking items. Please allow for manufacturing time. NS models not returnable once ordered.

* Refer to shower door section for additional finish options.



Linear End Drain

SINGLE THRESHOLD | GRILLED DRAIN

SHOWER BASE



Height: 3 7/8"

Compatible Shower Doors

| Dimensions (Width x Depth) | Left Drain Part # | Right Drain Part # | MSRP | Compatible Shower Doors | | | |
|-------------------------------|----------------------|-----------------------|---------|---|---|---|--|
| | | | | Abbott Series 10 & 8mm Chrome Section 7 Pg. 181 | Ruxton 6mm Chrome Section 7 Pg. 190 | Cortez 8mm Chrome Section 7 Pg. 183-184 | Ebony 6mm Matte Black Section 7 Pg. 185 -186 |
| 48" x 30" | 63218G | 63219G | \$1,220 | 57063 | 51184 | | 51723.51733 |
| 48" x 32" | 63228G | 63229G | \$1,220 | 57063 | 51184 | 51603.S48LH or 51606.S48RH | 51723.51733 |
| 48" x 36" | 63258G | 63259G | \$1,220 | 57063 | 51184 | | 51723.51733 |
| 60" x 30" | 63331G | 63351G | \$1,290 | 57073 | | | 51723.51743 |
| 60" x 32" | 63371G | 63391G | \$1,300 | 57073 | - | 51613.S60LH or 51616.S60RH | 51723.51743 |
| 60" x 36" | 63418G | 63419G | \$1,310 | 57073 | | | 51723.51743 |

Replacement Grill Covers (Chrome)

| | | |
|---------|-----------------------------------|-------|
| 24 7/8" | 02999 for 60" x 30" & 60" x32" | \$250 |
| 28 7/8" | 03000 for 60" x 36" | \$250 |

* Refer to shower door section for additional finish options. - Price includes grill cover
- Consult technical specifications for threshold heights and drain placements





Barrier-Free

SINGLE THRESHOLD | CENTER DRAIN



SHOWER BASE

Height: 2"

| Dimensions (Width x Depth) | | Part # | MSRP |
|----------------------------|----|--------|---------|
| 48 x 36 | NS | 72011 | \$1,770 |
| 48 x 38 | NS | 72021 | \$1,780 |
| 48 x 42 | NS | 72031 | \$1,790 |
| 48 x 48 | NS | 72041 | \$1,790 |
| 54 x 36 | NS | 72051 | \$1,960 |
| 60 x 32 | | 72081 | \$1,820 |
| 60 x 34 | | 72111 | \$1,850 |
| 60 x 36 | | 72121 | \$1,400 |
| 60 x 38 | | 72131 | \$1,900 |
| 60 x 40 | | 72141 | \$1,930 |
| 60 x 42 | | 72151 | \$1,490 |
| 64 X 34 | | 74111 | \$1,520 |

| | | | |
|---|--|-------|-------|
| Collapsible Threshold | | 05010 | \$280 |
| End Caps for Collapsible Threshold (Barrier Free Showers) | | 05011 | \$60 |

NS: These sizes are made to order and are generally non-stocking items. Please allow for manufacturing time. NS models not returnable once ordered.





Barrier-Free

SINGLE THRESHOLD | END DRAIN

Left Hand
Shown



SHOWER BASE

Height: 2"

| Dimensions (Width x Depth) | LH-Drain Part # | RH-Drain Part # | MSRP |
|---|-----------------|-----------------|---------|
| 60" x 30" | 72061 | 72071 | \$1,400 |
| 60" x 32" | 72091 | 72101 | \$1,070 |
| Collapsible Threshold | | 05010 | \$280 |
| End Caps for Collapsible Threshold (Barrier Free Showers) | | 05011 | \$60 |

"Consult technical specifications for threshold heights and drain placements. Barrier free shower bases are not intended for installation with a shower door."



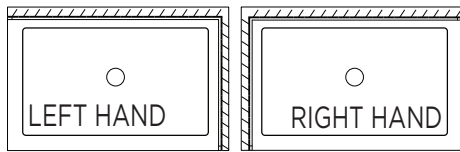




Low Profile

Double Threshold | Center Drain

Height: 3 7/8"



Compatible Shower Doors

| Dimensions (Width x Depth) | Left Threshold Part# | Right Threshold Part # | MSRP | Compatible Shower Doors | | | | |
|-------------------------------|----------------------------|---------------------------------|---------|---|---|--|---|---|
| | | | | Abbott Series 10 & 8mm Chrome Section 7 Pg. 191 | Ruxton 6mm Chrome Section 7 Pg.185 or 197 | Cortez / Pristina 8mm Chrome Section 7 Pg. 192 or 196 | Ebony 6mm Matte Black Section 7 Pg. 194 | |
| 32" x 32" | | 60002A | \$460 | - | 53016 | - | - | |
| 34" x 34" | | 60012A | \$1,060 | - | 53028 | - | - | |
| 36" x 32" | 60014A | 60015A | \$900 | - | 53046 | - | - | |
| 36" x 36" | | 60032A | \$580 | - | 53036 | - | 51723.51773 | |
| 38" x 38" | NS | **60041(Regular Profile) | | \$1,270 | - | - | - | |
| 42" x 32" | 60042A | 60043A | \$1,010 | - | - | See Section 7, Pg. 15, 16 for detailed part numbers for compatible doors. | - | |
| 42" x 36" | 60044A | 60045A | \$700 | - | - | | 51803.51873 | - |
| 42" x 42" | | 60062A | \$750 | - | - | | - | - |
| 48" x 30" | 60074A | 60075A | \$680 | 57063.57103 | - | See Section 7, Pg. 15, 16 for detailed part numbers for compatible doors. | - | |
| 48" x 32" | 60084A | 60085A | \$700 | 57063.57113 | - | | 51723. 51733.51753 | |
| 48" x 34" | 60094A | 60095A | \$1,010 | 57063.57123 | - | | - | |
| 48" x 36" | 60104A | 60105A | \$640 | 57063.57133 | - | | 51723. 51733.51773 | |
| 48" x 42" | NS | 60114 | 60115 | \$860 | - | | - | - |
| 48" x 48" | | 60125A | \$920 | - | - | | - | - |
| 60" x 30" | 60134A | 60135A | \$780 | 57073.57103 | - | | - | - |
| 60" x 32" | 60144A | 60145A | \$790 | 57073.57113 | - | | 51723. 51743.51753 | |
| 60" x 32" | 60150 | 60151 | \$790 | 57073.57113 | - | | 51723. 51743.51753 | |
| 60" x 34" | 60154A | 60155A | \$1,230 | 57073.57123 | - | | - | |
| 60" x 36" | 60164A | 60165A | \$790 | 57073.57133 | - | 51723. 51743.51773 | | |
| 60" x 42" | 60172A | 60173A | \$970 | - | - | - | - | |
| 66" x 32" | NS | 60184 | 60185 | \$1,220 | 57083.57113 | - | - | |
| 66" x 36" | NS | 60204 | 60205 | \$1,220 | 57083.57133 | - | - | |
| 72" x 32" | NS | 60224 | 60225 | \$1,290 | 57093.57113 | - | - | |
| 72" x 36" | | 60244A | 60245A | \$1,290 | 57093.57133 | - | - | |



Covered Drain

DOUBLE THRESHOLD | CENTER DRAIN

Right Hand Threshold Shown



SHOWER BASE

Height: 3"

Compatible Shower Doors

| Dimensions (Width x Depth) | Left Threshold Part # | Right Threshold Part # | MSRP | Abbott Series | Ruxton | Cortez / Pristina | Ebony |
|-------------------------------|--------------------------|---------------------------|---------|--|--|--|--|
| | | | | 10 & 8mm Chrome Section 7 Pg. 191 | 6mm Chrome Section 7 Pg.185 or 197 | 8mm Chrome Section 7 Pg. 192 or 196 | 6mm Matte Black Section 7 Pg. 194 |
| 32" x 32" | | 60004 | \$710 | - | 53016 | - | - |
| 36" x 36" | | 60034 | \$770 | - | 53036 | - | 51723.51773 |
| 42" x 36" | 60048 | 60049 | \$1,090 | - | - | 51803.51873 | - |
| 48" x 32" | 60088 | 60089 | \$930 | 57063.57113 | - | See Section 7, Pg. 15, 16 for detailed part numbers for compatible doors. | 51723. 51733.51753 |
| 48" x 36" | 60108 | 60109 | \$980 | 57063.57133 | - | | 51723. 51733.51773 |
| 60" x 32" | 60148 | 60149 | \$1,040 | 57073.57113 | - | | 51723. 51743.51753 |
| 60" x 36" | 60168 | 60169 | \$1,040 | 57073.57133 | - | | 51723. 51743.51773 |

Replacement Cover

| | | | |
|-------------|-----------------|-------|------|
| Square | 7" x 7" | 03015 | \$70 |
| Rectangular | 9 3/8" x 6 3/8" | 03016 | \$70 |





Minimalist

DOUBLE THRESHOLD | CENTER DRAIN

Right Hand
Shown



SHOWER BASE

Height: 2 1/2"

Compatible Shower Doors

| Dimensions (Width x Depth) | Left Threshold Part # | Right Threshold Part # | MSRP | Compatible Shower Doors | | | |
|-------------------------------|-----------------------------|------------------------------|---------|---|---|--|---|
| | | | | Abbott Series 10 & 8mm Chrome Section 7 Pg. 191 | Ruxton 6mm Chrome Section 7 Pg. 185 or 197 | Cortez 8mm Chrome Section 7 Pg. 192 or 193 | Ebony 6mm Matte Black Section 7 Pg. 194 |
| 36" x 36" | | 60033 | \$900 | - | 53036 | - | 51723.51773 |
| 48" x 36" | 60106 | 60107 | \$1,130 | 57063.57133 | - | | 51723. 51733.51773 |
| 60" x 30" | 60136 | 60137 | \$1,300 | 57073.57103 | - | | - |
| 60" x 32" | 60146 | 60147 | \$1,340 | 57073.57113 | - | | 51723. 51743.51753 |
| 60" x 34" | NS 60156 | 60157 | \$1,350 | 57073.57123 | - | | - |
| 60" x 36" | 60166 | 60167 | \$1,370 | 57073.57133 | - | | 51723. 51743.51773 |
| 66" x 32" | NS 60186 | 60187 | \$1,780 | 57083.57113 | - | | - |
| 66" x 36" | NS 60206 | 60207 | \$1,810 | 57083.57133 | - | | - |
| 72" x 32" | NS 60226 | 60227 | \$1,840 | 57093.57113 | - | - | - |
| 72" x 36" | NS 60246 | 60247 | \$1,890 | 57093.57133 | - | - | - |

NS: These sizes are made to order and are generally non-stocking items. Please allow for manufacturing time.
NS models not returnable once ordered.

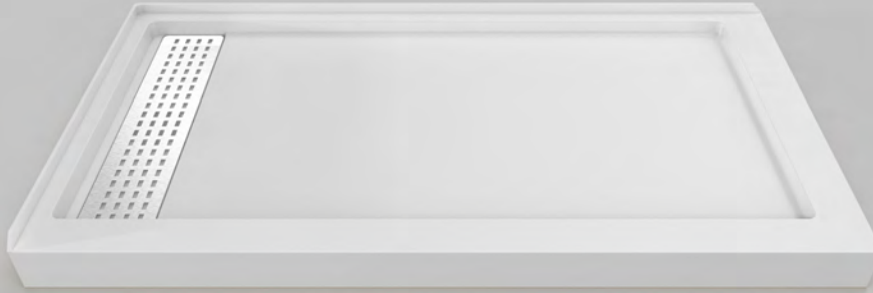




Linear End Drain

DOUBLE THRESHOLD GRILLED DRAIN

Right Hand Threshold,
Left Hand Drain
Shown



SHOWER
BASE

Height: 3 7/8"

Compatible Shower Doors

| Dimensions (Width x Depth) | LH Threshold, RH Drain Part # | RH Threshold, LH Drain Part # | MSRP | Abbott Series | Ruxton | Cortez / Pristina | Ebony |
|-------------------------------|--|--|---------|--------------------------------|--|---------------------------------------|-------------------------------------|
| | | | | 10 & 8mm | 6mm | 8mm | 6mm |
| | | | | Chrome Section 7 Pg. 191 | Chrome Section 7 Pg. 185 or 197 | Chrome Section 7 Pg. 192 or 196 | Matte Black Section 7 Pg. 194 |
| 42" x 36" | 60044G | 60045G | \$1,220 | | | 51803.51873 | - |
| 60" x 30" | 60134G | 60135G | \$1,290 | | | | - |
| 60" x 32" | 60144G | 60145G | \$1,300 | | - | | 51723. 51743.51753 |
| 60" x 36" | 60164G | 60165G | \$1,310 | | | | 51723. 51743.51773 |

Replacement Grill Covers (Chrome)

| | | |
|---------|------------------------------------|-------|
| 24 7/8" | 02999 for 60" x 30" & 60" x 32" | \$250 |
| 28 7/8" | 03000 for 60" x 36" | \$250 |

- Price includes grill cover
- Consult technical specifications for threshold heights and drain placements





Belly Round Front

CORNER

SHOWER BASE



Belly Round Front Corner

Compatible Shower Doors (*Chrome)

Height: 4 1/4"

Gabriola
6mm

Section 7, Pg. 198

| Dimensions | Part# | MSRP | |
|------------|-------|-------|-------|
| 34" x 34" | 64010 | \$860 | |
| 36" x 36" | 64012 | \$940 | 50007 |

* Refer to shower door section for additional finish options.





Round Front

CORNER



SHOWER BASE

Height: 5"

Compatible Shower Doors (*Chrome)

| Dimensions | Part# | MSRP | Single Door | Double Door |
|------------|--------|---------|---|---|
| | | | Quadra 8R1 8mm Section 7, Pg. 199 | Quadra 8R2 8mm Section 7, Pg. 200 |
| 32" x 32" | 62011 | \$740 | 50046 | 50048 |
| 36" x 36" | 62020A | \$800 | | 50058 |
| 40" x 40" | 62041 | \$1,050 | 50076 | 50078 |

* Refer to shower door section for additional finish options.





Neo-Angle

CORNER



SHOWER BASE

Height: 4" | 9 1/2" (Above floor rough-in compatible)

Compatible Shower Doors
(*Chrome)

Swayze
Single Door
8mm

Section 7,
Pg. 201

| Dimensions | Part # | MSRP | |
|---|--------|---------|-------|
| 34" x 34" NS | 61011A | \$880 | |
| 36" x 36" | 61021A | \$620 | |
| 36" x 36" NS Above floor rough-in compatible | 61022 | \$640 | 54113 |
| 38" x 38" NS | 61030 | \$700 | |
| 38" x 38" NS Above floor rough-in compatible | 61031 | \$720 | 54123 |
| 40" x 40" NS | 61032 | \$1,050 | 54133 |
| 42" x 42" NS | 61041 | \$840 | 54143 |
| 48" x 48" NS | 61042 | \$960 | 54153 |

NS: These sizes are made to order and are generally non-stocking items. Please allow for manufacturing time. NS models not returnable once ordered.





Pender

ALCOVE | END DRAIN



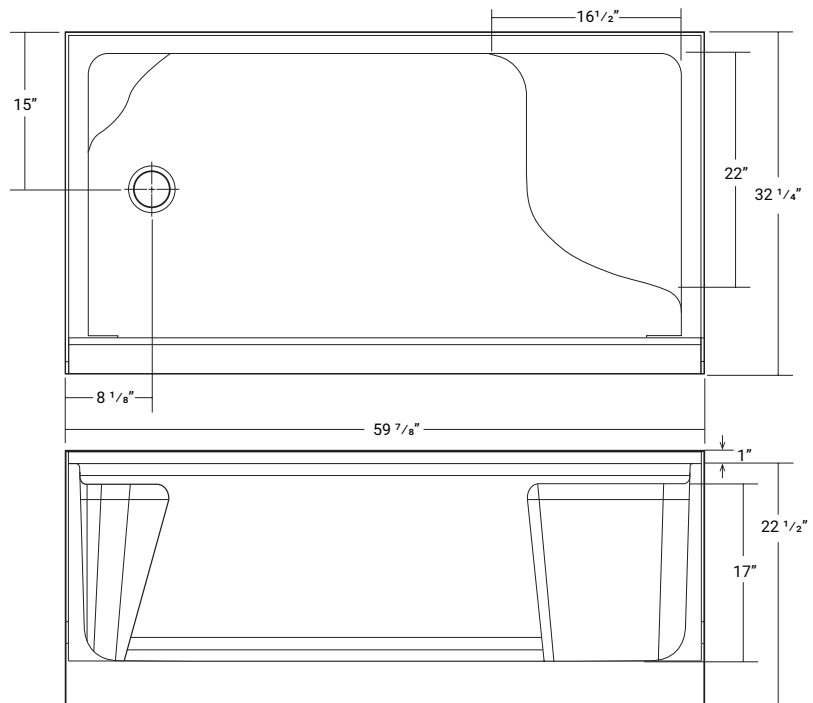
RECEPTOR

Height: 22 1/2"

| Part # | MSRP |
|------------|---------|
| LH - 63612 | \$1,080 |
| RH - 63613 | \$1,080 |

Features

- 17" comfort height seat
- Soap shelf
- End drain
- Traditional bath replacement size
- Integral tiling flange



Compatible Shower Door

| Abbott 60" | Part # |
|-------------|--------|
| Chrome | 57073 |
| Matte Black | 57074 |

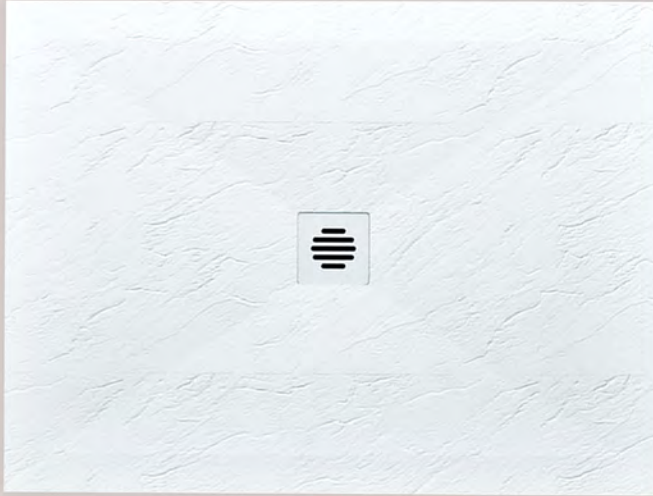




Solid Surface - Slate Series

NEW

CENTERED DRAIN



SHOWER BASE

Height: 1"

Compatible Shower Doors (*Chrome)

| Dimensions | White # | Black # | Grey # | MSRP | Single Door | Double Door |
|------------|-----------|-----------|-----------|---------|---------------------------------------|---------------------------------------|
| | | | | | Ebony 8mm Section 7, Pg. 185 | Ebony 8mm Section 7, Pg. 194 |
| 48" x 36" | 66540-WHT | 66540-BLK | N/A | \$1,060 | 50046 | 50048 |
| 60" x 32" | 66720-WHT | 66720-BLK | 66720-GRY | \$1,150 | | 50058 |
| 60" x 36" | 66740-WHT | 66740-BLK | 66740-GRY | \$1,192 | | |
| 60" X 42" | 66770-WHT | 66770-BLK | 66770-GRY | \$1,310 | | |

* Refer to shower door section for additional finish options.





Composite - SMC Series

NEW

END DRAIN



SHOWER BASE

Height: 3"

| Dimensions (Width x Depth) | LH Threshold, RH Drain Part # | RH Threshold, LH Drain Part # | MSRP |
|--------------------------------------|--|--|-------------|
| 60" x 30" | 66711 | 66712 | \$1,130 |
| 60" x 32" | 66721 | 66722 | \$1,150 |

- Consult technical specifications for threshold heights and drain placements





Composite - SMC Series

NEW

GRILLED DRAIN



SHOWER BASE

Compatible Shower Doors

| Dimensions (Width x Depth) | LH Threshold, RH Drain Part # | RH Threshold, LH Drain Part # | MSRP | Compatible Shower Doors | | | |
|-------------------------------|--|--|---------|---|---|---|---|
| | | | | Abbott Series 10 & 8mm Chrome Section 7 Pg. 181 | Ruxton 6mm Chrome Section 7 Pg. 189 | Cortez / Pristina 8mm Chrome Section 7 Pg. 184 or 187 | Ebony 6mm Matte Black Section 7 Pg. 185-186 |
| 60" x 30" | 66713 | 66714 | \$1,180 | | | 51803.51873 | - |
| 60" x 32" | 66723 | 66724 | \$1,200 | | | | - |

- Price includes grill cover

- Consult technical specifications for threshold heights and drain placements





Composite - SMC Series

NEW

BARRIER-FREE



SHOWER BASE

Height: 1"

Dimensions
(Width x Depth)

Part #

MSRP

61 1/2" x 37 1/2"

73143

\$1,550

- Price includes grill cover
- Consult technical specifications for threshold heights and drain placements





Shower Door Index

Bath Door & Screen

| | |
|---------------------|-----|
| Abbott Series | 179 |
| Saturna..... | 180 |

Single Threshold

| | |
|--------------------------------|-----|
| Abbott Series | 181 |
| B03 | 182 |
| Cortez Series Left Hand | 183 |
| Cortez Series Right Hand | 184 |
| Ebony Series..... | 185 |
| Ebony Extended Series | 186 |
| Pristina Series..... | 187 |
| H02 Series Right Hand | 188 |
| Ruxton Series | 189 |
| Ruxton Extended Series..... | 190 |

Double Threshold

| | |
|-------------------------------|-----|
| Abbott Series | 191 |
| Cortez Series Left Hand | 192 |
| Cortez Series Right hand..... | 193 |
| Ebony Series..... | 194 |
| Ebony Extended Series | 195 |
| Pristina Series..... | 196 |
| Ruxton Series | 197 |

Corner

| | |
|------------------|-----|
| Gabriola | 198 |
| Quadra 8R1 | 199 |
| Quadra 8R2 | 200 |
| Swayze | 201 |



Abbott Series

SINGLE THRESHOLD ROLLING DOOR

BATHTUB DOOR



The Abbott series has an easy-clean coated glass and is held by INOX stainless steel hardware for improved durability.

Frame Style

Frameless

Finish

Chrome or Brushed Nickel

Door Panel

8mm tempered safety glass door

Fixed Panel

10mm tempered safety glass

Reversible

Yes

| Nominal Size** | Overall Height | Chrome # | MSRP | Brushed Nickel # | MSRP |
|----------------|----------------|----------|-------|------------------|---------|
| 60" | 66" | N/A | - | 56039 | \$1,000 |
| 60" | 56" | 56053 | \$990 | N/A | - |

* Limited availability; please call before ordering

** Measurements are the rough-in dimensions of the bathtub before wallboard & tiling





Saturna

SINGLE THRESHOLD BATH SCREEN

BATH TUB DOOR



The Saturna bathtub screen has an easy-clean coated glass and is held by INOX stainless steel hardware for improved durability.

Overall Height

51 1/8"

Frame Style

Frameless

Frameless

Finish

Chrome or Brushed Nickel

Screen

6mm pivoting bath screen

Reversible

Yes

| Finished Span | Chrome # | MSRP | Brushed Nickel # | MSRP |
|---------------|----------|-------|------------------|-------|
| 27 1/2" | 58053 | \$400 | 58050 | \$770 |





Abbott Series

SINGLE THRESHOLD ROLLING DOOR



SHOWER DOOR

Single Threshold Rolling Door

Chrome, Brushed Nickel, or Matte Black

The Abbott series has an easy-clean coated glass and is held by INOX stainless steel hardware for improved durability.

Door Panel

8mm tempered safety glass door

Overall Height

78 3/4" (74 3/4" Walk-In height)

Fixed Panel

10mm tempered safety glass

Frame Style

Frameless door

Reversible

Yes

Finish

| Nominal Base Size** | Finished Span | Chrome # | MSRP | Brushed Nickel # | MSRP | Matte Black # | MSRP |
|---------------------|-------------------|----------|---------|------------------|---------|---------------|---------|
| 48" | 45 5/8" - 46 5/8" | 57063 | \$1,050 | n/a | | 57064 | \$1,590 |
| 60" | 57 5/8" - 58 5/8" | 57073 | \$1,070 | n/a | | 57074 | \$1,740 |
| 66" | 63 5/8" - 64 5/8" | 57083 | \$1,340 | 57080 | \$1,350 | n/a | |
| 72" | 69 5/8" - 70 5/8" | 57093 | \$1,340 | 57090 | \$1,350 | n/a | |





B03

SINGLE THRESHOLD SLIDING BYPASS DOOR

SHOWER DOOR



The B03 sliding door is held by INOX stainless steel hardware for improved durability.

Frame Style

Semi-Frameless

Finish

Chrome or brushed nickel

Door Panel

8mm tempered safety glass door

Reversible

No

| Nominal Base Size** | Overall Height | Chrome # | MSRP | Brushed Nickel # | MSRP |
|---------------------|----------------|----------|---------|------------------|---------|
| 60" | 74" | 51024 | \$1,220 | 51022 | \$1,260 |
| 60" | 66" | 51027 | \$1,180 | N/A | - |

* Limited availability; please call before ordering

** Measurements relate to the matching shower base sizes at rough-in stage (pre-finishing)





Cortez Series LH

SINGLE THRESHOLD HINGED DOOR



SHOWER DOOR

The Cortez series has an easy-clean coated glass and is held by INOX stainless steel hardware for improved durability.

Overall Height

78 3/4" (77 1/2" Walk-In height)

Frame Style

Semi-Frameless

Finish

Chrome

Door Panel

8mm tempered safety glass door

Fixed Panel

8mm tempered safety glass

Reversible

No

| Nominal Base Size** | Finished Span | LH Door # | MSRP |
|---------------------|-------------------|-------------|---------|
| 42" | 39 3/4" - 40 1/8" | 51603.S42LH | \$1,410 |
| 48" | 43 5/8" - 46 3/8" | 51603.S48LH | \$1,490 |
| 60" | 57 3/4" - 58 1/8" | 51613.S60LH | \$1,640 |
| 66" | 63 3/4" - 64 1/8" | 51613.S66LH | \$1,900 |



** Measurements relate to the matching shower base sizes at rough-in stage (pre-finishing)

Rev 1.0 - Prices effective January 1, 2026. List Prices do not include taxes. Dimensions are subject to change without notice. Refer to technical drawings for detailed product dimensions

E&OE



Cortez Series RH

SINGLE THRESHOLD HINGED DOOR

SHOWER DOOR



The Cortez series has an easy-clean coated glass and is held by INOX stainless steel hardware for improved durability.

Overall Height

78 3/4" (77 1/2" Walk-In height)

Frame Style

Semi-Frameless

Finish

Chrome

Door Panel

8mm tempered safety glass door

Fixed Panel

8mm tempered safety glass

Reversible

No

| Nominal Base Size** | Finished Span | RH Door # | MSRP |
|---------------------|-------------------|-------------|---------|
| 48" | 43 5/8" - 46 3/8" | 51606.S48RH | \$1,490 |
| 60" | 57 3/4" - 58 1/8" | 51616.S60RH | \$1,640 |
| 66" | 63 3/4" - 64 1/8" | 51616.S66RH | \$1,900 |

** Measurements relate to the matching shower base sizes at rough-in stage (pre-finishing)





Ebony Series

SINGLE THRESHOLD PIVOT DOOR



SHOWER DOOR

The Ebony series has an easy-clean coated glass and is held by INOX stainless steel hardware for improved durability.

Overall Height
78 3/4"

Frame Style
Framed

Finish
Matte Black

Door Panel
6mm tempered safety glass door

Reversible
Yes

| Nominal Base Size** | Finished Span | Matte Black # | MSRP |
|---------------------|-------------------|---------------|---------|
| 36" | 33 1/8" - 34 3/8" | 51723 | \$1,100 |

** Measurements relate to the matching shower base sizes at rough-in stage (pre-finishing)





Ebony Extended Series

SINGLE THRESHOLD PIVOT DOOR

SHOWER DOOR



The Ebony extended series has an easy-clean coated glass and is held by INOX stainless steel hardware for improved durability.

Overall Height

78 3/4"

Frame Style

Framed

Finish

Matte Black

Door Panel

6mm tempered safety glass door

Fixed Panel

6mm tempered safety glass

Reversible

Yes

| Nominal Base Size** | Finished Span | Matte Black # | MSRP |
|---------------------|-------------------|---------------|---------|
| 48" | 45 1/8" - 46 3/8" | 51723.51733 | \$1,440 |
| 60" | 57 1/8" - 58 3/8" | 51723.51743 | \$1,580 |

** Measurements relate to the matching shower base sizes at rough-in stage (pre-finishing)





Pristina Series

SINGLE THRESHOLD HINGED DOOR



SHOWER DOOR

Single Threshold Hinged Door

The Pristina series has an easy-clean coated glass and is held by INOX stainless steel hardware for improved durability.

Overall Height
78 3/4"

Frame Style
Frameless

Finish
Chrome

Door Panel
8mm tempered safety glass door

Fixed Panel
8mm tempered safety glass

Reversible
Yes

| Nominal Base Size** | Finished Span | Chrome # | MSRP |
|---------------------|---------------|----------|---------|
| 42" | 40"±1/4" | 51803 | \$1,410 |

** Measurements relate to the matching shower base sizes at rough-in stage (pre-finishing)





H02 Series RH

SINGLE THRESHOLD PIVOT DOOR

SHOWER DOOR



The H02 series has an easy-clean coated glass and is held by INOX stainless steel hardware for improved durability.

Overall Height
74"

Frame Style
Frameless

Finish
Chrome

Door Panel (Right Hand Only)
8mm tempered safety glass door

Fixed Panel
8mm tempered safety glass

Reversible
No

| Nominal Base Size** | Finished Span | RH Door # | MSRP |
|---------------------|-------------------|-----------|---------|
| 42" | 39 1/2" - 41 1/2" | 57001 | \$1,380 |
| 60" | 57" - 59" | 57005 | \$1,600 |





Ruxton Series

SINGLE THRESHOLD PIVOT DOOR



SHOWER DOOR

The Ruxton series has an easy-clean coated glass and is held by INOX stainless steel hardware for improved durability.

Overall Height

72 7/8"

Finish

Chrome, Brushed Nickel, or Matte Black

Door Panel

6mm tempered safety glass door

Reversible

Yes

Frame Style

Frameless

| Nominal Base Size** | Chrome # | MSRP | Brushed Nickel # | MSRP | Matte Black # | MSRP |
|---------------------|----------|-------|------------------|-------|---------------|-------|
| 32" | 51106 | \$700 | N/A | - | N/A | - |
| 34" | 51126 | \$700 | N/A | - | N/A | - |
| 36" | 51146 | \$760 | 51147 | \$800 | 51144 | \$850 |

* Limited availability of Brushed Nickel finish; please call before ordering.

** Measurements relate to the matching shower base sizes at rough-in stage (pre-finishing)





Ruxton Extended Series

SINGLE THRESHOLD PIVOT DOOR

SHOWER DOOR



The Ruxton series has an easy-clean coated glass and is held by INOX stainless steel hardware for improved durability.

Overall Height

72 7/8"

Frame Style

Frameless

Finish

Chrome or Matte Black

Door Panel

6mm tempered safety glass door

Door Opening

25 7/8"

Fixed Panel

6mm tempered safety glass

Reversible

Yes

| Nominal Base Size** | Finished Span | Chrome # | MSRP | Matte Black # | MSRP |
|---------------------|-------------------|----------|-------|---------------|-------|
| 42" | 39 1/4" - 40 1/2" | 51166 | \$880 | 51168 | \$980 |
| 48" | 45 1/4" - 46 1/2" | 51184 | \$960 | N/A | - |

** Measurements are the rough-in shower base sizes





Abbott Series

DOUBLE THRESHOLD ROLLING DOOR



SHOWER DOOR

Overall Height

78 3/4" (74 3/8 Walk-In height)

Frame Style

Frameless door

Door Panel

8mm tempered safety glass door

Fixed Panel

10mm tempered safety glass

Reversible

Yes

| Nominal Base Size** | Nominal Return Size | Chrome # | MSRP | Brushed Nickel # | MSRP | Matte Black # | MSRP |
|---------------------|---------------------|-------------|---------|------------------|---------|---------------|---------|
| 48" | 30" | 57063.57103 | \$1,900 | N/A | - | N/A | - |
| | 32" | 57063.57113 | \$1,720 | N/A | - | 57064.57114 | \$2,180 |
| | 34" | 57063.57123 | \$1,980 | N/A | - | N/A | - |
| | 36" | 57063.57133 | \$1,840 | N/A | - | 57064.57134 | \$2,230 |
| 60" | 30" | 57073.57103 | \$2,120 | N/A | - | N/A | - |
| | 32" | 57073.57113 | \$1,720 | N/A | - | 57074.57114 | \$2,340 |
| | 34" | 57073.57123 | \$2,160 | N/A | - | N/A | - |
| | 36" | 57073.57133 | \$1,840 | N/A | - | 57074.57134 | \$2,380 |
| 66" | 30" | 57083.57103 | \$2,740 | 57080.57100 | \$2,780 | N/A | - |
| | 32" | 57083.57113 | \$2,040 | 57080.57110 | \$2,800 | N/A | - |
| | 34" | 57083.57123 | \$2,780 | 57080.57120 | \$2,830 | N/A | - |
| | 36" | 57083.57133 | \$2,180 | 57080.57130 | \$2,840 | N/A | - |
| 72" | 30" | 57093.57103 | \$3,080 | 57090.57100 | \$3,100 | N/A | - |
| | 32" | 57093.57113 | \$2,060 | 57090.57110 | \$3,130 | N/A | - |
| | 34" | 57093.57123 | \$3,100 | 57090.57120 | \$3,140 | N/A | - |
| | 36" | 57093.57133 | \$2,180 | 57090.57130 | \$3,160 | N/A | - |



** Measurements relate to the matching Acritex shower base sizes at rough-in stage (pre-finished)

Cortez Series, LH

DOUBLE THRESHOLD HINGED DOOR

Overall Height

78 ¾" (77 ½ Walk-In height)

Frame Style

Semi-Frameless

Door Panel

8mm tempered safety glass door

Fixed Panel

8mm tempered safety glass

Reversible

No



SHOWER DOOR

| Nominal Base Size** | Nominal Return Size | LH Threshold # | MSRP |
|---------------------|---------------------|-------------------|---------|
| 42" | 30" | 51603.S42LH.51643 | \$1,930 |
| | 32" | 51603.S42LH.51653 | \$1,950 |
| | 34" | 51603.S42LH.51663 | \$1,810 |
| | 36" | 51603.S42LH.51673 | \$1,980 |
| 48" | 30" | 51603.S48LH.51643 | \$1,990 |
| | 32" | 51603.S48LH.51653 | \$2,010 |
| | 34" | 51603.S48LH.51663 | \$2,020 |
| | 36" | 51603.S48LH.51673 | \$2,040 |
| 60" | 30" | 51613.S60LH.51643 | \$2,320 |
| | 32" | 51613.S60LH.51653 | \$2,330 |
| | 34" | 51613.S60LH.51663 | \$2,350 |
| | 36" | 51613.S60LH.51673 | \$2,360 |
| 66" | 30" | 51613.S66LH.51643 | \$2,420 |
| | 32" | 51613.S66LH.51653 | \$2,440 |
| | 34" | 51613.S66LH.51663 | \$2,450 |
| | 36" | 51613.S66LH.51673 | \$2,470 |



** Measurements relate to the matching shower base sizes at rough-in stage (pre-finishing)



Cortez Series, RH

DOUBLE THRESHOLD ROLLING DOOR

**Overall Height**

78 ¾" (77 ½ Walk-In height)

Frame Style

Semi-Frameless

Door Panel

8mm tempered safety glass door

Fixed Panel

8mm tempered safety glass

Reversible

No

SHOWER DOOR

| Nominal Base Size** | Nominal Return Size | RH Threshold # | MSRP |
|---------------------|---------------------|-------------------|---------|
| 48" | 30" | 51606.S48RH.51643 | \$1,990 |
| | 32" | 51606.S48RH.51653 | \$2,010 |
| | 34" | 51606.S48RH.51663 | \$2,020 |
| | 36" | 51606.S48RH.51673 | \$2,040 |
| 60" | 30" | 51616.S60RH.51643 | \$2,320 |
| | 32" | 51616.S60RH.51653 | \$2,330 |
| | 34" | 51616.S60RH.51663 | \$2,350 |
| | 36" | 51616.S60RH.51673 | \$2,360 |
| 66" | 30" | 51616.S66RH.51643 | \$2,420 |
| | 32" | 51616.S66RH.51653 | \$2,440 |
| | 34" | 51616.S66RH.51663 | \$2,450 |
| | 36" | 51616.S66RH.51673 | \$2,470 |

** Measurements relate to the matching shower base sizes at rough-in stage (pre-finishing)





Ebony Series

DOUBLE THRESHOLD PIVOT DOOR

SHOWER DOOR



The Ebony series has an easy-clean coated glass and is held by INOX stainless steel hardware for improved durability.

Overall Height

78 3/4"

Frame Style

Framed

Finish

Matte Black

Door Panel

6mm tempered safety glass door

Fixed Panel

6mm tempered safety glass

Reversible

Yes

| Nominal Base Size** | Nominal Return Size | Matte Black # | MSRP |
|---------------------|---------------------|---------------|---------|
| 36" | 36" | 51723.51773 | \$1,400 |

** Measurements relate to the matching shower base sizes at rough-in stage (pre-finishing)





Ebony Extended Series

SINGLE THRESHOLD PIVOT DOOR



SHOWER DOOR

The Ebony extended series has an easy-clean coated glass and is held by INOX stainless steel hardware for improved durability.

Overall Height

78 3/4"

Frame Style

Framed

Finish

Matte Black

Door Panel

6mm tempered safety glass door

Fixed Panel

6mm tempered safety glass

Reversible

Yes

| Nominal Base Size** | Nominal Return Size | Matte Black # | MSRP |
|---------------------|---------------------|-------------------|---------|
| 48" | 32" | 51723.51733.51753 | \$2,280 |
| | 36 | 51723.51733.51773 | \$2,300 |
| 60" | 32" | 51723.51743.51753 | \$2,510 |
| | 36" | 51723.51743.51773 | \$2,540 |

** Measurements relate to the matching shower base sizes at rough-in stage (pre-finishing)





Pristina Series

DOUBLE THRESHOLD HINGED DOOR

SHOWER DOOR



The Pristina series has an easy-clean coated glass and is held by INOX stainless steel hardware for improved durability.

Overall Height

78 3/4"

Frame Style

Frameless

Finish

Chrome

Door Panel

8mm tempered safety glass door

Fixed Panel

8mm tempered safety glass

Reversible

Yes

| Nominal Base Size** | Nominal Return Size | Chrome # | MSRP |
|---------------------|---------------------|-------------|---------|
| 42" | 36" | 51803.51873 | \$1,780 |

** Measurements relate to the matching shower base sizes at rough-in stage (pre-finishing)





Ruxton Series

DOUBLE THRESHOLD PIVOT DOOR

SHOWER DOOR



The Ruxton series has an easy-clean coated glass and is held by INOX stainless steel hardware for improved durability

Overall Height

72 7/8"

Frame Style

Frameless

Finish

Chrome, Brushed Nickel, Matte Black

Door Panel

6mm tempered safety glass door

Fixed Panel

6mm tempered safety glass

Reversible

| Nominal Base Size ** | Chrome # | MSRP | Brushed Nickel # | MSRP | Matte Black # | MSRP |
|----------------------|----------|---------|------------------|---------|---------------|---------|
| 32" x 32" | 53016 | \$1,240 | 53017 | \$1,340 | N/A | - |
| 34" x 34" | 53028 | \$1,740 | 53027 | \$1,810 | N/A | - |
| 36" x 36" | 53036 | \$1,290 | N/A | - | 53034 | \$1,400 |
| 36" x 32" (36" Door) | 53046 | \$1,770 | N/A | - | N/A | - |

** Measurements relate to the matching shower base sizes at rough-in stage (pre-finishing)





Gabriola

CORNER BELLY BASE ROLLING DOOR

SHOWER DOOR



The Gabriola series has an easy-clean coated glass and is held by INOX stainless steel hardware for improved durability

Overall Height

72 7/8"

Frame Style

Frameless

Finish

Chrome

Door Panel

6mm tempered safety glass door

Fixed Panel

6mm tempered safety glass

Reversible

Yes

Nominal Base Size**

36" x 36"

Chrome #

50007

MSRP

\$1,140

** Measurements relate to the matching shower base sizes at rough-in stage (pre-finished)





Quadra 8R1

CORNER ROUND FRONT SLIDING DOOR



SHOWER DOOR

The Quadra series has an easy-clean coated glass and is held by INOX stainless steel hardware for improved durability.

Overall Height
78"

Frame Style
Semi-Frameless

Finish
Chrome

Door Panel
8mm tempered safety glass door

Reversible
Yes

| Nominal Base Size** | Chrome # | MSRP |
|---------------------|----------|---------|
| 32" x 32" | 50046 | \$1,800 |
| 40" x 40" | 50076 | \$1,900 |

** Measurements relate to the matching shower base sizes at rough-in stage (pre-finishing)





Quadra 8R2

CORNER DOUBLE SLIDING DOOR

SHOWER DOOR



The Quadra series has an easy-clean coated glass and is held by INOX stainless steel hardware for improved durability.

Overall Height
78"

Frame Style
Semi-Frameless

Finish
Chrome

Door Panel
8mm tempered safety glass door

Reversible
Yes

| Nominal Base Size** | Chrome # | MSRP |
|---------------------|----------|---------|
| 32" x 32" | 50048 | \$1,170 |
| 36" x 36" | 50058 | \$1,200 |
| 40" x 40" | 50078 | \$1,240 |

** Measurements relate to the matching shower base sizes at rough-in stage (pre-finishing)





Swayze

CORNER NEO-ANGLE PIVOT DOOR

SHOWER DOOR



The Swayze has an easy-clean coated glass and is held by INOX stainless steel hardware for improved durability.

Overall Height

74"

Frame Style

Semi-Frameless

Finish

Chrome

Door Panel

8mm tempered safety glass door

Handle & Hinger Finish

Chrome

Reversible

Yes

| Nominal Base Size** | Chrome # | MSRP | Brushed Nickel # | MSRP |
|---------------------|----------|---------|---------------------------------|---------|
| | | | Handle & Hinger Finish : Chrome | |
| 36" x 36" | 54113 | \$1,060 | 54110 | \$1,230 |
| 38" X 38" | 54123 | \$1,400 | 54120 | \$1,500 |
| 40" X 40" | 54133 | \$1,510 | 54130 | \$1,620 |
| 42" x 42" | 54143 | \$2,190 | 54140 | \$2,220 |
| 48" x 48" | 54153 | \$2,380 | 54150 | \$2,430 |

** Measurements relate to the matching shower base sizes at rough-in stage (pre-finishing)





Basin Index

Basins - White unless otherwise indicated

Counter-Top

| | | | | | |
|-------------|-----|----------------|-----|----------------|-----|
| 36400..... | 203 | 36432..... | 207 | 36645..... | 211 |
| 36402..... | 203 | 36439..... | 207 | 36646..... | 211 |
| 36403..... | 203 | 36447..... | 207 | 36647..... | 212 |
| 36405..... | 203 | 36461..... | 207 | 36647-BLK..... | 212 |
| 36407..... | 204 | 36490..... | 208 | 36647-GRN..... | 212 |
| 36412..... | 204 | 36501/04..... | 208 | 36648..... | 212 |
| 36415..... | 204 | 36511/14..... | 208 | 36650..... | 213 |
| 36417L..... | 204 | 36519..... | 208 | 36651..... | 213 |
| 36418..... | 205 | 36552..... | 209 | 36652..... | 213 |
| 36420..... | 205 | 36560..... | 209 | 36652-BLK..... | 213 |
| 36422..... | 205 | 36563..... | 209 | 36652-GRN..... | 214 |
| 36423..... | 205 | 36642..... | 209 | 36652-GRY..... | 214 |
| 36424..... | 205 | 36643..... | 210 | 36653..... | 214 |
| 36425..... | 206 | 36643-BLK..... | 210 | 36654..... | 214 |
| 36427..... | 206 | 36643-GRN..... | 210 | | |
| 36428..... | 206 | 36643-GRY..... | 210 | | |
| 36430..... | 206 | 36644..... | 211 | | |

Drop-In

| | |
|------------------|-----|
| 36811/14/18..... | 215 |
| 36861/64/68..... | 215 |

Undermount

| | | | | | |
|------------|-----|-------------|-----|-------------|-----|
| 36905..... | 216 | 36955..... | 217 | 36977..... | 218 |
| 36925..... | 216 | 36960..... | 217 | 36981C..... | 219 |
| 36940..... | 216 | 36965..... | 217 | 36985..... | 219 |
| 36950..... | 217 | 36968..... | 218 | 36990..... | 219 |
| | | 36970C..... | 218 | 36995..... | 219 |

Pure Basin

| | | | |
|-------------------------|-----|--------------------|-----|
| Single Offset Bowl..... | 220 | Semi Recessed..... | 222 |
| Double Bowl..... | 221 | | |



Counter-top

BASINS

36400

Dimensions

24 3/4" x 15 3/4" x 7"

Back

Finished

Overflow

Yes

Faucet Hole

None

Profile

Standard

MSRP

\$170



36402

Dimensions

16" x 16" x 5"

Back

Finished

Overflow

No

Faucet Hole

None

Profile

Ultra Thin

MSRP

\$250



36403

Dimensions

16 7/8" x 16 7/8" x 5 7/8"

Back

Finished

Overflow

No

Faucet Hole

None

Profile

Standard

MSRP

\$170



36405

Dimensions

22" x 19 3/8" x 5 1/4"

Back

Finished

Overflow

Yes

Faucet Hole

None

Profile

Standard

MSRP

\$330





Counter-top

BASINS



36407

Dimensions
23" x 17" x 3"

Back
Unfinished

Overflow
Yes

Faucet Hole
Single

Profile
Standard

MSRP
\$170



36412

Dimensions
23 1/2" x 19" x 7 3/4"

Back
Unfinished

Overflow
Yes

Faucet Hole
Single

Profile
Standard

MSRP
\$170



36415

Dimensions
16" x 16" x 5 1/8"

Back
Finished

Overflow
No

Faucet Hole
None

Profile
Standard

MSRP
\$170



36417L

Dimensions
23 7/8" x 15 3/4" x 7 1/8"

Back
Finished

Overflow
Yes

Faucet Hole
None

Profile
Standard

MSRP
\$330



Counter-top

BASINS

36418

Dimensions

16 1/2" x 18 1/8" x 5 7/8"

Overflow

Yes

Profile

Standard

Back

Finished

Faucet Hole

Yes

MSRP

\$270



36420

Dimensions

15 3/4" x 15 3/4" x 4 1/2"

Overflow

No

Profile

Standard

Back

Finished

Faucet Hole

No

MSRP

\$340



36422

Dimensions

16 1/2" x 16 1/2" x 5"

Overflow

Yes

Profile

Ultra Thin

Back

Unfinished

Faucet Hole

Single

MSRP

\$330



36423

Dimensions

19 5/8" x 16 1/2" x 5"

Overflow

Yes

Profile

Ultra Thin

Back

Unfinished

Faucet Hole

Single

MSRP

\$350



36424

Dimensions

23 1/2" x 17" x 5"

Overflow

Yes

Profile

Ultra Thin

Back

Unfinished

Faucet Hole

Single

MSRP

\$170





Counter-top

BASINS



36425

Dimensions
23 1/4" x 16 1/4" x 4"

Back
Finished

Overflow
No

Faucet Hole
None

Profile
Standard

MSRP
\$270



36427

Dimensions
17 3/4" x 17 3/4" x 4 3/4"

Back
Finished

Overflow
No

Faucet Hole
None

Profile
Standard

MSRP
\$170



36428

Dimensions
16 1/8" x 16 1/8" x 5 1/2"

Back
Finished

Overflow
No

Faucet Hole
None

Profile
Standard

MSRP
\$370



36430

Dimensions
24 3/4" x 15 3/4" x 5 1/4"

Back
Finished

Overflow
No

Faucet Hole
None

Profile
Standard

MSRP
\$170



Counter-top

BASINS

36432

Dimensions

15 3/4" x 15 3/4" x 6 1/4"

Back

Finished

Overflow

No

Faucet Hole

None

Profile

Standard

MSRP

\$170



36439

Dimensions

23 1/2" x 18 1/2" x 5 1/4"

Back

Unfinished

Overflow

Yes

Faucet Hole

Single

Profile

Standard

MSRP

\$350



36447

Dimensions

19 3/4" x 14 1/4" x 6"

Back

Unfinished

Overflow

Yes

Faucet Hole

None

Profile

Standard

MSRP

\$430



36461

Dimensions

19 1/2" x 19 1/2" x 5 1/2"

Back

Unfinished

Overflow

Yes

Faucet Hole

Single

Profile

Standard

MSRP

\$170



Rev 1.0 - Prices effective January 1, 2026. List Prices do not include taxes. Dimensions are subject to change without notice. Refer to technical drawings for detailed product dimensions



Counter-top

BASINS



36490

Dimensions
19" x 19" x 7 1/2"

Back
Finished

Overflow
Yes

Faucet Hole
None

Profile
Standard

MSRP
\$170



36501-1H 36504-4"cc

Dimensions
18" x 18" x 6 1/4"

Back
Unfinished

Overflow
Yes

Faucet Hole
Multiple Options

Profile
Standard

MSRP (36501)- \$330

MSRP (36504) - \$170



36511-1H 36514-4"cc

Dimensions
18 1/2" x 18 1/2" x 6"

Back
Unfinished

Overflow
Yes

Faucet Hole
Multiple Options

Profile
Standard

MSRP
\$170



36519

Dimensions
28 3/4" x 19 3/4" x 6 1/4"

Back
Unfinished

Overflow
Yes

Faucet Hole
None

Profile
Standard

MSRP
\$170



Counter-top

BASINS

36552

Dimensions

18 1/4" x 18 1/4" x 6 1/4"

Overflow

Yes

Profile

Standard

Back

Unfinished

Faucet Hole

Single

MSRP

\$170



36560

Dimensions

22 3/4" x 14 3/4" x 6 1/4"

Overflow

No

Profile

Standard

Back

Finished

Faucet Hole

None

MSRP

\$380



36563

Dimensions

23 3/8" x 16 1/4" x 4"

Overflow

No

Profile

Standard

Back

Finished

Faucet Hole

None

MSRP

\$170



36642

Dimensions

23 1/2" x 15 1/2" x 5 3/4"

Overflow

No

Profile

Ultra Thin

Back

Finished

Faucet Hole

None

MSRP

\$170





Counter-top

BASINS



36643

Dimensions

19" x 15 1/2" x 5 1/2"

Overflow

No

Profile

Ultra Thin

Back

Finished

Faucet Hole

None

Finish

Gloss

MSRP - \$350



36643-BLK

Dimensions

19" x 15 1/2" x 5 1/2"

Overflow

No

Colour

Black

Back

Finished

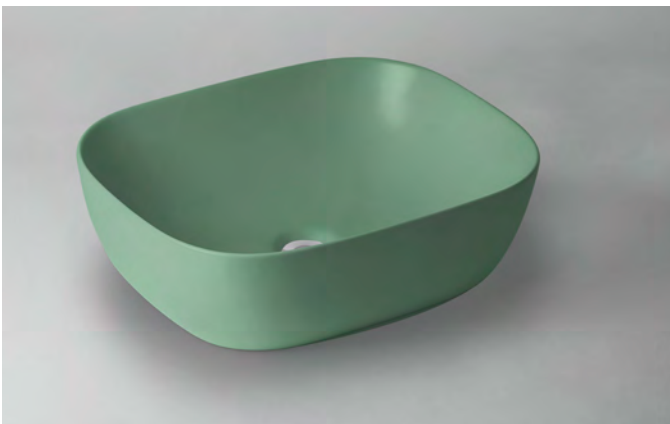
Faucet Hole

None

Finish

Matte

MSRP - \$460



36643-GRN

Dimensions

19" x 15 1/2" x 5 1/2"

Overflow

No

Colour

Green

Back

Finished

Faucet Hole

None

Finish

Matte

MSRP - \$170



36643-GRY

Dimensions

19" x 15 1/2" x 5 1/2"

Overflow

No

Colour

Grey

Back

Finished

Faucet Hole

None

Finish

Matte

MSRP - \$170



Counter-top

BASINS

36644

Dimensions

14 5/8" x 14 5/8" x 4 1/2"

Back

Finished

Overflow

No

Faucet Hole

None

Profile

Ultra Thin

MSRP

\$170



36645

Dimensions

24" x 16" x 4 1/2"

Back

Finished

Overflow

No

Faucet Hole

None

Profile

Ultra Thin

MSRP

\$370



36646

Dimensions

19 5/8" x 15 3/4" x 4 3/8"

Back

Finished

Overflow

No

Faucet Hole

None

Profile

Ultra Thin

MSRP

\$350





Counter-top

BASINS



36647

Dimensions

14 1/4" x 14 1/4" x 4 1/4"

Overflow

No

Profile

Ultra Thin

Back

Finished

Faucet Hole

None

Finish

Gloss

MSRP - \$340



36647-BLK

Dimensions

14 1/4" x 14 1/4" x 4 1/4"

Overflow

No

Colour

Black

Back

Finished

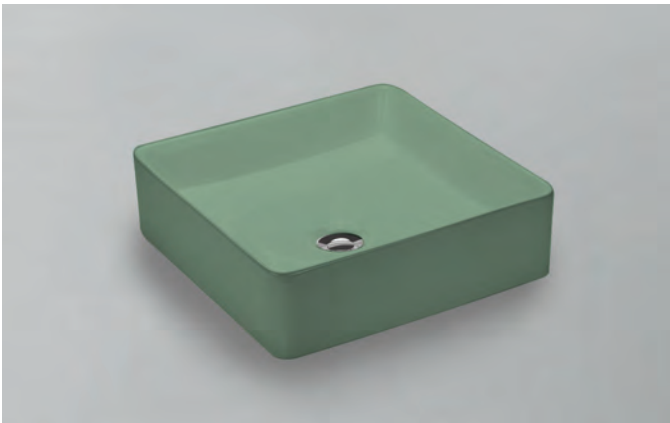
Faucet Hole

None

Finish

Matte

MSRP - \$450



36647-GRN

Dimensions

14 1/4" x 14 1/4" x 4 1/4"

Overflow

No

Colour

Green

Back

Finished

Faucet Hole

None

Finish

Matte

MSRP - \$170



36648

Dimensions

18 1/2" x 14 1/8" x 4 3/8"

Overflow

No

Profile

Ultra Thin

Back

Finished

Faucet Hole

None

MSRP

\$170



Counter-top

BASINS

36650

Dimensions

18 1/4" x 18 1/4" x 3 1/2"

Overflow

No

Profile

Ultra Thin

Back

Finished

Faucet Hole

Single

MSRP

\$170



36651

Dimensions

19 7/8" x 15 1/8" x 4 3/4"

Overflow

No

Profile

Ultra Thin

Back

Finished

Faucet Hole

Single

MSRP

\$170



36652

Dimensions

14" x 14" x 4 1/2"

Overflow

No

Profile

Ultra Thin

Back

Finished

Faucet Hole

None

Finish

Gloss

MSRP - \$340



36652-BLK

Dimensions

14" x 14" x 4 1/2"

Overflow

No

Profile

Ultra Thin

Back

Finished

Faucet Hole

None

Finish

Matte

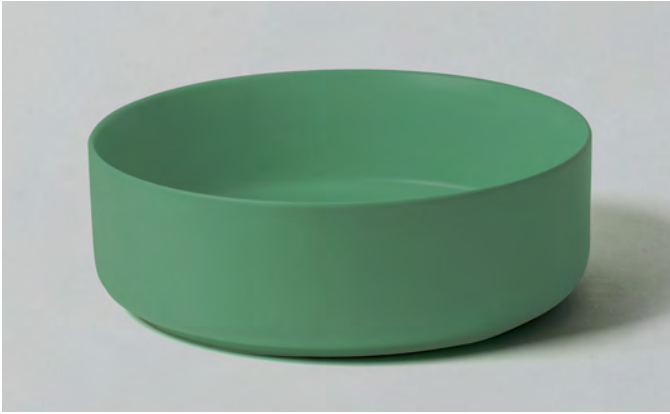
MSRP - \$440





Counter-top

BASINS



36652-GRN

Dimensions

14" x 14" x 4 1/2"

Overflow

No

Profile

Ultra Thin

Back

Finished

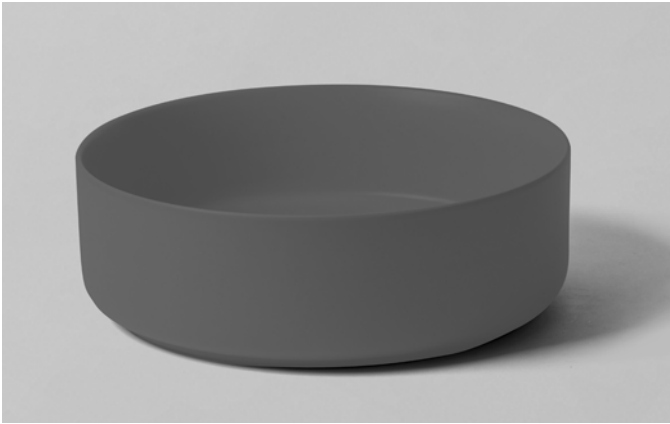
Faucet Hole

None

Finish

Matte

MSRP - \$170



36652-GRY

Dimensions

14" x 14" x 4 1/2"

Overflow

No

Profile

Ultra Thin

Back

Finished

Faucet Hole

None

Finish

Matte

MSRP - \$170



36653

Dimensions

17 3/4" x 17 3/4" x 4 1/8"

Overflow

No

Profile

Ultra Thin

Back

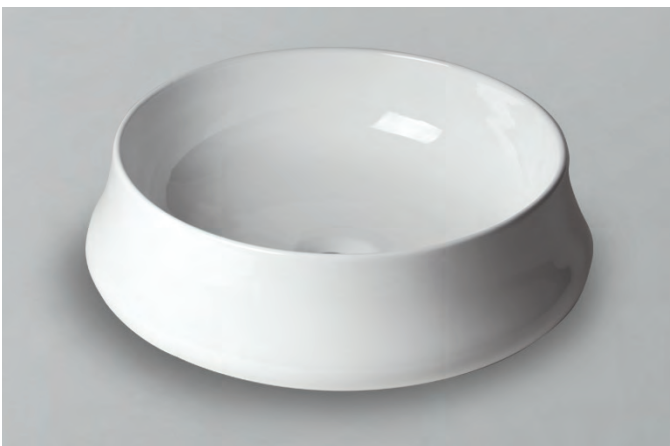
Finished

Faucet Hole

Single

MSRP

\$170



36654

Dimensions

17 3/8" x 17 3/8" x 5 1/2"

Overflow

No

Profile

Ultra Thin

Back

Finished

Faucet Hole

None

MSRP

\$170



Drop-in

36811-1H
36814-4"cc
36818-8"cc

Dimensions

16 ³/₈" x 16 ³/₈" x 7"

Overflow - Yes

Faucet Hole - Multiple Options

MSRP - \$230

36861-1H
36864-4"cc
36868-8"cc

Dimensions

21" x 17 ⁷/₈" x 7 ³/₈"

Overflow - Yes

Faucet Hole - Multiple Options

MSRP - \$240



BASINS



Undermount

BASINS



36905

Dimensions
17 3/4" x 15" x 7 1/4"

Shape
Oval

Overflow
Yes

Profile
Curved

MSRP
\$210



36925

Dimensions
21 7/8" x 17 3/8" x 7 3/4"

Shape
Oval

Overflow
Yes

Profile
Curved

MSRP
\$170



36940

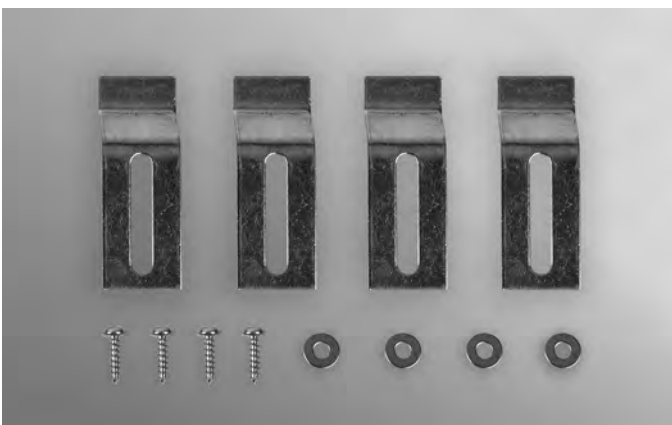
Dimensions
17 1/8" x 17 1/8" x 7 1/2"

Shape
Square

Overflow
Yes

Profile
Curved (Scooped Front)

MSRP
\$250



04000

Description
Undermount Installation Kit - Replacement

MSRP
\$40



Undermount

BASINS

36950

Dimensions

21 1/8" x 14 5/8" x 8"

Shape

Rectilinear

Overflow

Yes

Profile

Curved

MSRP

\$240



36955

Dimensions

22" x 15" x 7"

Shape

Rectilinear

Overflow

Yes

Profile

Curved

MSRP

\$210



36960

Dimensions

19" x 16 1/4" x 6 3/4"

Shape

Oval

Overflow

Yes

Profile

Curved

MSRP

\$170



36965

Dimensions

17" x 13 7/8" x 7 1/2"

Shape

Rectilinear

Overflow

Yes

Profile

Curved

MSRP

\$170





Undermount

BASINS



36968

Dimensions

19 1/2" x 13 1/4" x 8"

Shape

Rectilinear

Overflow

Yes

Profile

Angular

MSRP

\$170



36970C

Dimensions

19 7/8" x 15 3/4" x 7"

Shape

Rectilinear

Overflow

Yes

Profile

Angular

MSRP

\$250



36977

Dimensions

18" x 14" x 7 1/8"

Shape

Rectilinear

Overflow

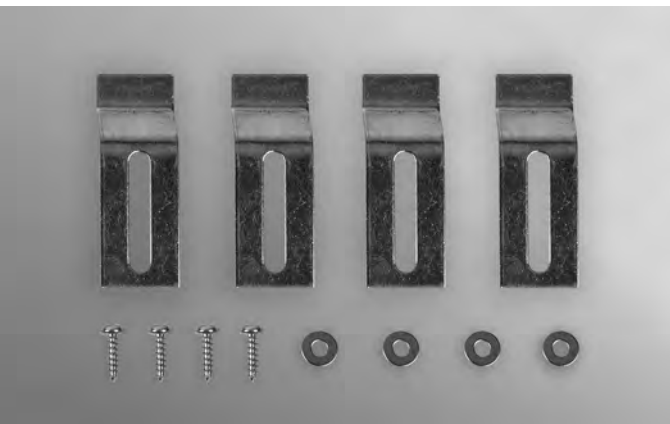
Yes

Profile

Angular

MSRP

\$260



04000

Description

Undermount Installation Kit - Replacement

MSRP

\$40



Undermount

BASINS

36981C

Dimensions
16" x 16" x 7"

Shape
Rectilinear

Overflow
Yes

Profile
Angular

MSRP
\$170



36985

Dimensions
20 3/8" x 12 3/4" x 6 7/8"

Shape
Square

Overflow
Yes

Profile
Angular

MSRP
\$170



36990

Dimensions
16 1/4" x 16 1/4" x 6 3/4"

Shape
Square

Overflow
Yes

Profile
Angular

MSRP
\$250



36995

Dimensions
20 7/8" x 15 1/2" x 7 1/2"

Shape
Rectangular

Overflow
Yes

Profile
Angular

MSRP
\$170





Pure Basins

SINGLE OFFSET BOWL

BASINS



Must add drilling for faucet

| Model | Dimensions | Profile Height | LH Drain # | RH Drain # | MSRP |
|-----------|-------------------|----------------|------------|------------|-------|
| RA-3020 | 29 1/8" x 19 1/2" | 3 5/8" | 30021 | 30031 | \$612 |
| RA-3020LP | 29 1/8" x 19 1/2" | 1 5/8" | 30022 | 30032 | \$676 |
| RA-3620 | 35 1/8" x 19 1/2" | 3 5/8" | 30061 | 30071 | \$624 |
| RA-3620LP | 35 1/8" x 19 1/2" | 1 5/8" | 30062 | 30072 | \$688 |
| RA-4720 | 47" x 19 3/8" | 4" | 30101 | 30111 | \$832 |
| RA-4720LP | 47" x 19 3/8" | 1 5/8" | 30102 | 30112 | \$900 |

Example: 30021.01 = RA-3020 LH Basin with a single faucet hole.

Pure Basins Options

- Available with finished backs upon request
- Available in a variety of profile heights
- Custom heights may be available upon request
- Include drilling instructions when ordering

Pre-Drilled Faucet Holes

| | |
|----------------------|----------------------------|
| Single Hole Centered | Add ("-01" to part number) |
| 3 Holes @ 4" | Add ("-04" to part number) |
| 3 Holes @ 8" | Add ("-08" to part number) |



Pure Basins

SINGLE OFFSET BOWL



BASINS

Double Bowl - Must add drilling for faucet

| Model | Dimensions | Profile Height | Part # | MSRP |
|-----------|-------------------|----------------|--------|---------|
| RA-5520 | 54 3/4" x 19 1/2" | 4" | 30121 | \$1,008 |
| RA-5520LP | 54 3/4" x 19 1/2" | 1 5/8" | 30122 | \$1,112 |

Example: 30021.01 = RA-3020 LH Basin with a single faucet hole.

Pure Basins Options

- Available with finished backs upon request
- Available in a variety of profile heights
- Custom heights may be available upon request
- Include drilling instructions when ordering

Pre-Drilled Faucet Holes

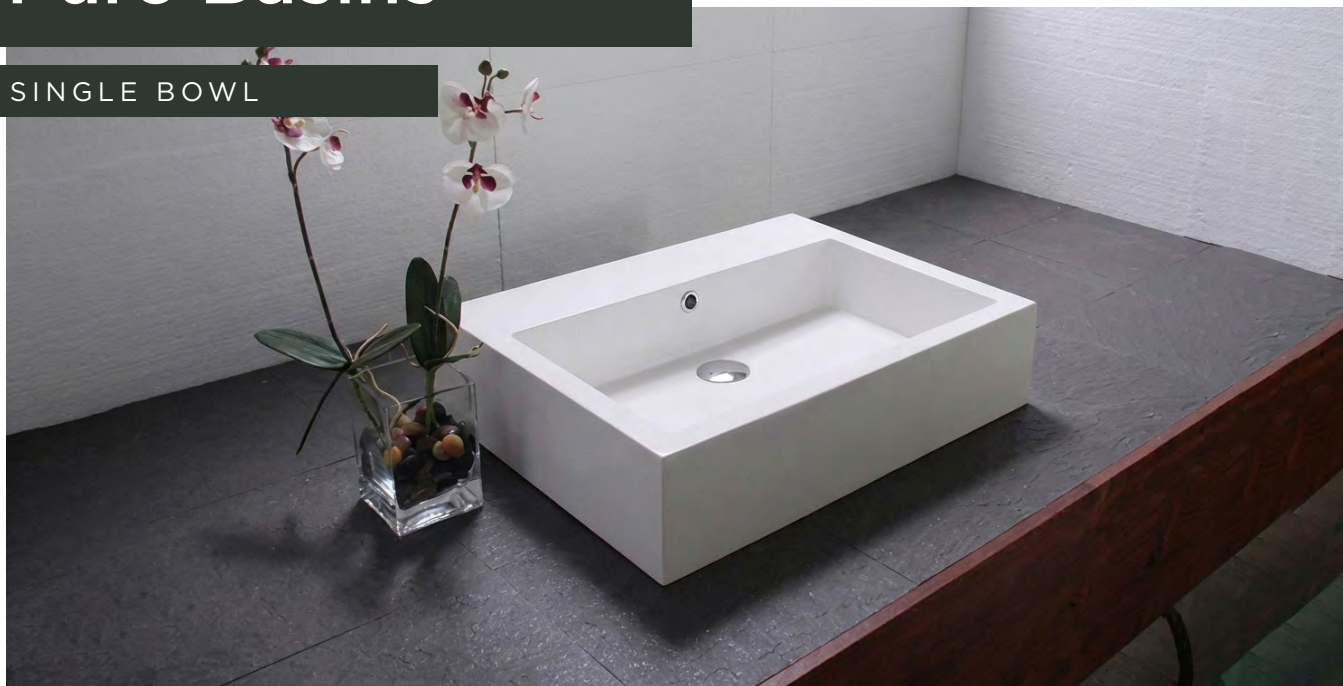
| | |
|----------------------|----------------------------|
| Single Hole Centered | Add ("-01" to part number) |
| 3 Holes @ 4" | Add ("-04" to part number) |
| 3 Holes @ 8" | Add ("-08" to part number) |



Pure Basins

SINGLE BOWL

BASINS



- Available with finished backs upon request
- Available in a variety of profile heights
- Custom heights may be available upon request
- Include drilling instructions when ordering

Pre-Drilled Faucet Holes

| | |
|----------------------|----------------------------|
| Single Hole Centered | Add ("-01" to part number) |
| 3 Holes @ 4" | Add ("-04" to part number) |
| 3 Holes @ 8" | Add ("-08" to part number) |

| Model | Dimensions | Profile Height | Part # | MSRP |
|--|-------------------|----------------|--------|-------|
| RM-2120C - Semi Recessed, Single Bowl, Centered | 20 1/8" x 19 1/2" | 6 1/8" | 30141 | \$540 |
| RM-1818C | 18 1/8" x 18" | 5" | 30131 | \$514 |
| RA-2018C | 19 3/4" x 18" | 3 5/8" | 30010 | \$554 |
| RA-2200C | 21 1/2" x 19 5/8" | 3 5/8" | 30011 | \$554 |
| RA-2200CLP | 21 1/2" x 19 5/8" | 1 5/8" | 30012 | \$608 |
| RA-2418C | 23 3/8" x 17 5/8" | 5" | 30151 | \$554 |
| RM-2418CLP | 23 3/8" x 17 5/8" | 1 5/8" | 30152 | \$608 |
| RM-2422C | 24 3/8" x 22 1/4" | 3 5/8" | 30014 | \$576 |
| RM-2422CLP | 24 3/8" x 22 1/4" | 1 5/8" | 30013 | \$634 |
| RM-2722C | 27 1/4" x 22 1/8" | 3 5/8" | 30015 | \$598 |
| RM-2722CLP | 27 1/4" x 22 1/8" | 1 5/8" | 30016 | \$652 |
| RM-3022C | 30 1/2" x 22 1/8" | 3 5/8" | 30045 | \$616 |
| RM-3022CLP | 30 1/2" x 22 1/8" | 1 5/8" | 30046 | \$680 |
| RM-3622C | 36 3/8" x 22 1/4" | 3 5/8" | 30085 | \$634 |
| RM-3622CLP | 36 3/8" x 22 1/4" | 1 5/8" | 30086 | \$698 |

Example: 30021.01 = RA-3020 LH Basin with a single faucet hole.



Sink Index

Notes

Installation clamps included for all stainless steel sinks

Kitchen

Drop-In

| | | |
|-------------------------------|----------------|----------------|
| Classical Bar Acrylic.....224 | 24024226 | 25130.....227 |
| Dynasty Acrylic.....224 | 24030226 | 25140227 |
| Gourmet Acrylic225 | 25030226 | 25150.....228 |
| Prestige Acrylic.....225 | 25031226 | 25160.....228 |
| 24001.....226 | 25090227 | 25170.....228 |
| 24020226 | 25100227 | |

Undermount

| | | |
|----------------|----------------|----------------|
| 21001.....229 | 21110.....232 | 21251.....235 |
| 21005229 | 21120.....232 | 21255235 |
| 21015.....229 | 21130.....232 | 21265.....235 |
| 21021.....229 | 21140232 | 21270235 |
| 21030230 | 21150.....229 | 21275236 |
| 21050230 | 21155229 | 25155236 |
| 21051.....230 | 21165.....229 | 25156236 |
| 21070.....230 | 21170.....229 | |
| 21080231 | 21175234 | |
| 21081.....231 | 21201.....234 | |
| 21090231 | 21230.....234 | |
| 21101.....231 | 21250.....234 | |

Utility

Acrylic & Stainless Steel

| | |
|----------------------------------|-------------------------------|
| Classic Laundry Acrylic237 | Europa Deluxe Acrylic.....238 |
| Deluxe Laundry Acrylic237 | 25035.....238 |
| Europa Laundry Acrylic.....237 | 25050238 |



Kitchen Sinks

ACRYLIC & STAINLESS STEEL

- Faucets not included, Please order separately
- Include faucet drilling instructions when ordering

| Item | Part # | MSRP |
|----------|--------|------|
| Strainer | 04011 | \$30 |

Pre-Drilled Faucet Holes

| | |
|----------------------|----------------------------|
| Single Hole Centered | Add ("-01" to part number) |
| 3 Holes @ 4" | Add ("-04" to part number) |
| 3 Holes @ 8" | Add ("-08" to part number) |

DROP-IN



Classic Bar

Kitchen | Drop-In

Part

12021

Bowl

Single

Dimensions

15 1/4" x 15 1/4" x 5 5/8"

Strainer Included

Yes

Faucet Hole

None

MSRP

\$240



Dynasty

Kitchen | Drop-In

Part

19041

Bowl

Double

Dimensions

32" x 21" x 8"

Strainer Included

Yes

Faucet Hole

None

MSRP

\$390



Kitchen Sinks

Gourmet

Kitchen | Drop-In

Part #

19051

Bowl

Double

Dimensions

32" x 21" x 8 1/2"

Strainer Included

Yes

Faucet Hole

None

MSRP

\$330

Prestige

Kitchen | Drop-In

Part #

19011

Bowl

Double

Dimensions

32" x 21" x 6 3/4" - 8 3/8"

Strainer Included

Yes

Faucet Hole

None

MSRP

\$390



DROP-IN



Kitchen

STAINLESS STEEL

DROP-IN



24001

Kitchen | Drop-In

Dimensions

17 1/8" x 17 1/8" x 7"

Faucet

None

Gauge

20

MSRP

\$100



24020-1H

24024-4"cc

Kitchen | Drop-In

Dimensions

15" x 15" x 5 1/2"

Faucet

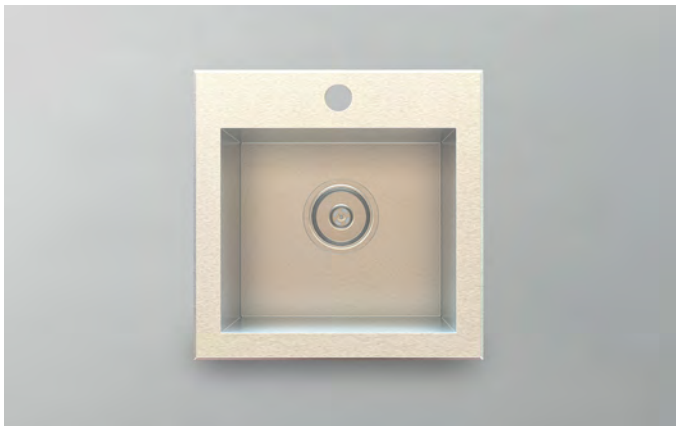
Single

Gauge

24

MSRP

\$100



24030

Kitchen | Drop-In

Dimensions

15" x 15" x 8"

Faucet

Single

Gauge

18

MSRP

\$150



25030-1H

25031-8"cc

Kitchen | Drop-In

Dimensions

20" x 20 1/2" x 7"

Faucet

Single

Gauge

20

MSRP

\$150



Kitchen Sinks

STAINLESS STEEL

DROP-IN

25090

Kitchen | Drop-In

Dimensions

31 1/4" x 20 3/8" x 7"

Faucet

Single

Gauge

18

MSRP

\$380



25100

Kitchen | Drop-In

Dimensions

31 1/4" x 20 3/8" x 8"

Faucet

3 Hole - 8" cc

Gauge

18

MSRP

\$250



25130

Kitchen | Drop-In

Dimensions

31" x 20" x 10"

Faucet

Single

Gauge

18

MSRP

\$590



25140

Kitchen | Drop-In

Dimensions

31" x 20" x 10"

Faucet

Single

Gauge

18

MSRP

\$790





Kitchen Sinks

STAINLESS STEEL

DROP-IN



25150

Kitchen | Drop-In

Dimensions

31 1/2" x 19 1/2" x 10 1/4"

Faucet

Single

Gauge

18

MSRP

\$560



25160

Kitchen | Drop-in

Dimensions

38" x 19 5/8" x 10 1/4"

Faucet

Single

Gauge

18

MSRP

\$560



25170

Kitchen | Package

Dimensions

31 1/2" x 19 1/2" x 10 1/4"

Faucet

Single

Gauge

18

MSRP

\$480



Kitchen Sinks

STAINLESS STEEL

UNDERMOUNT

21001

Kitchen | Undermount

Dimensions

14 1/2" x 13" x 7"

Corner Radius

Large

Gauge

18

MSRP

\$110



21005

Kitchen | Undermount

Dimensions

29" x 18" x 10"

Corner Radius

Small

Gauge

18

MSRP

\$590



21015

Kitchen | Undermount

Dimensions

19" x 20" x 10"

Corner Radius

Small

Gauge

16

MSRP

\$530



21021

Kitchen | Undermount

Dimensions

23" x 17 3/4" x 9"

Corner Radius

Large

Gauge

18

MSRP

\$210





Kitchen Sinks

STAINLESS STEEL

UNDERMOUNT



21030

Kitchen | Undermount

Dimensions

30" x 18" x 10"

Corner Radius

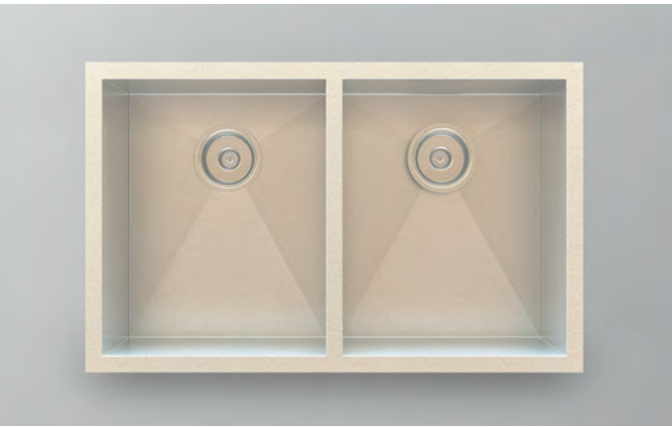
Small

Gauge

18

MSRP

\$450



21050

Kitchen | Undermount

Dimensions

29 1/2" x 17 3/8" x 8 5/8"

Corner Radius

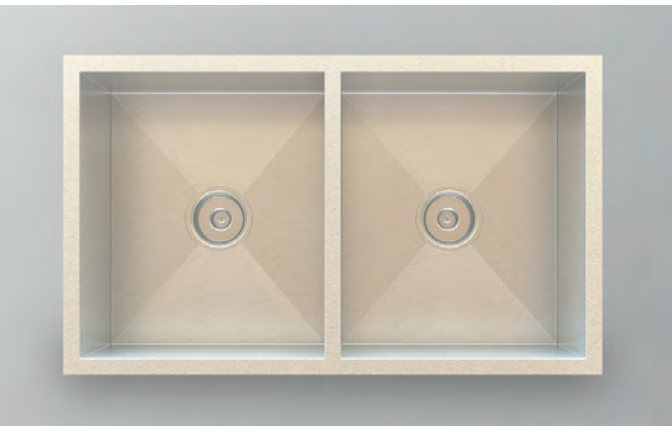
Zero

Gauge

18

MSRP

\$390



21051

Kitchen | Undermount

Dimensions

32" x 19" x 10"

Corner Radius

Zero

Gauge

18

MSRP

\$390



21070

Kitchen | Undermount

Dimensions

33 5/8" x 18" x 9" & 7"

Corner Radius

Small

Gauge

16

MSRP

\$260



Kitchen Sinks

STAINLESS STEEL

UNDERMOUNT

21080

Kitchen | Undermount

Dimensions

19 1/4" x 19 1/4" x 7 3/4"

Corner Radius

Zero

Gauge

16

MSRP

\$300



21081

Kitchen | Undermount

Dimensions

19" x 20" x 10"

Corner Radius

Zero

Gauge

18

MSRP

\$330



21090

Kitchen | Undermount

Dimensions

30" x 18" x 10"

Corner Radius

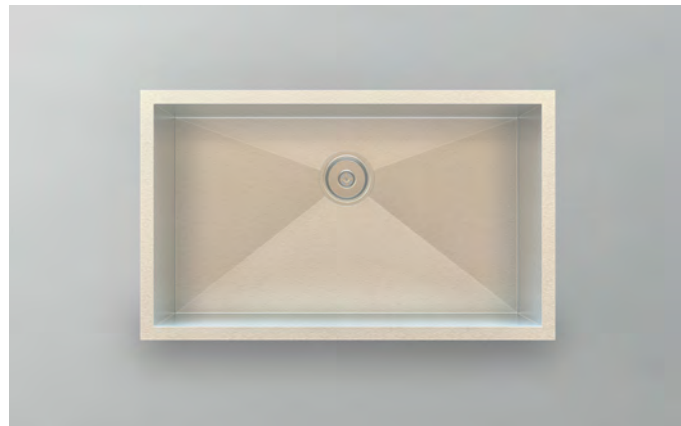
Zero

Gauge

16

MSRP

\$420



21101

Kitchen | Undermount

Dimensions

23 1/4" x 20 7/8" x 9"

Corner Radius

Large

Gauge

18

MSRP

\$150





Kitchen Sinks

STAINLESS STEEL

UNDERMOUNT



21110

Kitchen | Undermount

Dimensions

15 5/8" x 17 1/2" x 8 1/2"

Corner Radius

Zero

Gauge

18

MSRP

\$180



21120

Kitchen | Undermount

Dimensions

32" x 20" x 9" & 7 1/2"

Corner Radius

Large

Gauge

16

MSRP

\$180



21130

Kitchen | Undermount

Dimensions

34 1/4" x 19 1/4" x 8"

Corner Radius

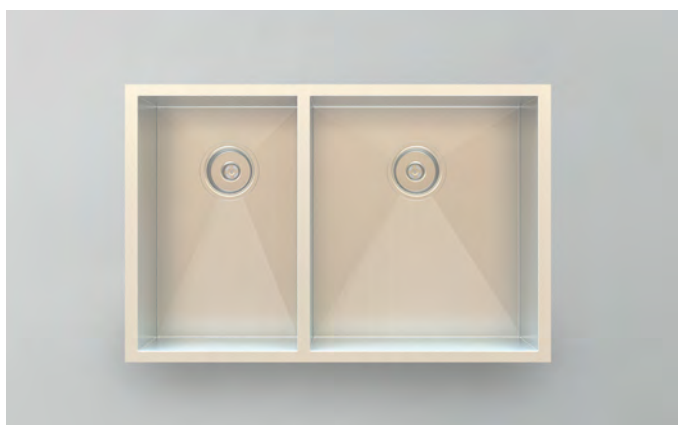
Zero

Gauge

16

MSRP

\$290



21140

Kitchen | Undermount

Dimensions

29 1/2" x 19 1/4" x 8"

Corner Radius

Zero

Gauge

18

MSRP

\$600



Kitchen Sinks

STAINLESS STEEL

UNDERMOUNT

21150

Kitchen | Undermount

Dimensions

31 1/4" x 20 1/2" x 5"

Gauge

18

Corner Radius

Zero

MSRP

\$350



21155

Kitchen | Undermount

Dimensions

32" x 18" x 10"

Gauge

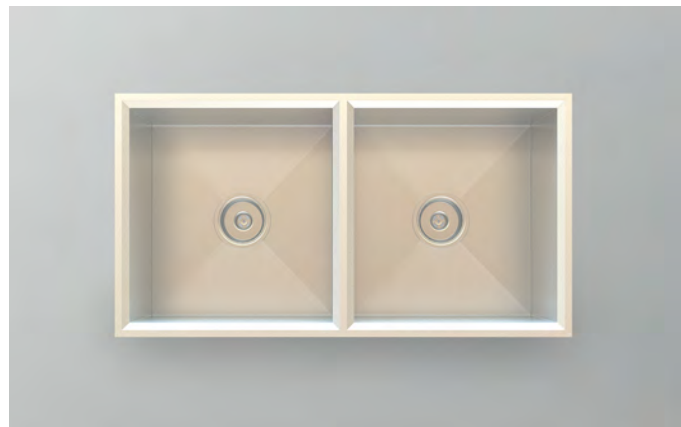
16

Corner Radius

Zero

MSRP

\$350



21165

Kitchen | Undermount

Dimensions

23" x 18" x 9"

Gauge

18

Corner Radius

Small

MSRP

\$590



21170

Kitchen | Undermount

Dimensions

31 5/8" x 20 5/8" x 9" & 8"

Gauge

16

Faucet

None

MSRP

\$400





Kitchen Sinks

STAINLESS STEEL

UNDERMOUNT



21175

Kitchen | Undermount

Dimensions

31 1/4" x 20 1/2" x 10" & 8"

Gauge

16

Corner Radius

Small

MSRP

\$320



21201

Kitchen | Undermount

Dimensions

31 3/8" x 18" x 8"

Gauge

18

Faucet

None

MSRP

\$250



21230

Kitchen | Undermount

Dimensions

20 3/4" x 17 3/4" x 9"

Gauge

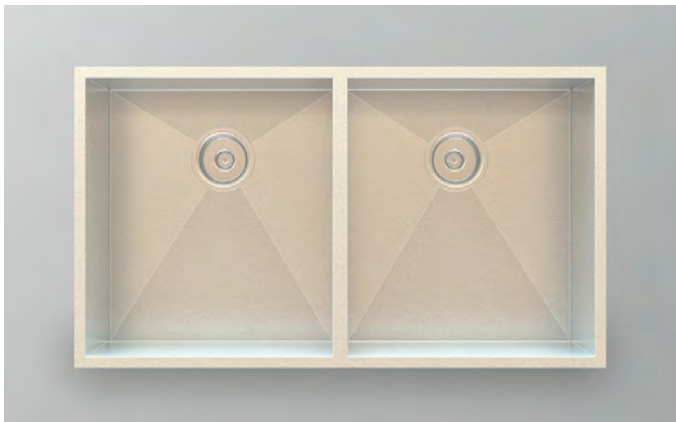
18

Corner Radius

Large

MSRP

\$150



21250

Kitchen | Undermount

Dimensions

32" x 19" x 10"

Gauge

18

Corner Radius

Zero

MSRP

\$330



Kitchen Sinks

STAINLESS STEEL

UNDERMOUNT

21251

Kitchen | Undermount

Dimensions

32" x 19" x 10"

Corner Radius

Small

Gauge

18

MSRP

\$650



21255

Kitchen | Undermount

Dimensions

27" x 18" x 8 5/8"

Corner Radius

Small

Gauge

18

MSRP

\$650



21265

Kitchen | Undermount

Dimensions

27" x 18" x 8 5/8"

Corner Radius

Small

Gauge

18

MSRP

\$650



21270

Kitchen | Undermount

Dimensions

19 1/4" x 17 3/8" x 7 3/4"

Corner Radius

Small

Gauge

18

MSRP

\$450





Kitchen Sinks

STAINLESS STEEL

UNDERMOUNT



21275

Kitchen | Undermount

Dimensions

19 1/4" x 17 3/8" x 7 3/4"

Corner Radius

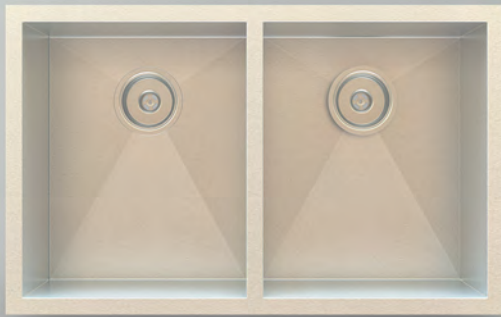
Small

Gauge

18

MSRP

\$450



25155

Kitchen | Undermount

Dimensions

29" x 18" x 10"

Corner Radius

Zero

Gauge

18

MSRP

\$360



25156

Kitchen | Undermount

Dimensions

29" x 18" x 10"

Corner Radius

Small

Gauge

18

MSRP

\$790



Utility Sinks

ACRYLIC & STAINLESS STEEL

- Include faucet drilling instructions when ordering

- Faucets not included, Please order separately

| Item | Part # | MSRP |
|--------------------------------|--------|------|
| Strainer (Stainles Steel Only) | 04011 | \$30 |

Pre-Drilled Faucet Holes

Single Hole Centered Add ("-01" to part number)

3 Holes @ 4" Add ("-04" to part number)

3 Holes @ 8" Add ("-08" to part number)

LAUNDRY

Classic Laundry

Utility | Acrylic

| | |
|--|--------------------------------|
| Part # 11011 | Corner Radius Large |
| Dimensions 20 3/4" x 21 3/4" x 10" | Strainer Included No |
| Description Classic Laundry | MSRP \$290 |



Deluxe Laundry

Utility | Acrylic

| | |
|--|--------------------------------|
| Part # 11021 | Corner Radius Large |
| Dimensions 27" x 22" 14 1/4" | Strainer Included No |
| Description Deluxe Laundry | MSRP \$300 |



Europa Laundry

Utility | Acrylic

| | |
|--|--------------------------------|
| Part # 11031 | Corner Radius Large |
| Dimensions 23 3/4" x 20 7/8" x 12" | Strainer Included No |
| Description Europa | MSRP \$350 |





Utility Sinks

ACRYLIC & STAINLESS STEEL

LAUNDRY DROP IN



Europa Deluxe

Utility | Acrylic

Part #

11041

Corner Radius

Small

Dimensions

32" x 21" x 11 3/4"

Strainer Included

No

Description

Europa Deluxe

MSRP

\$390



25035

Utility | Stainless Steel

Dimensions

20" x 20" x 10"

Corner Radius

Zero

Gauge

18

MSRP

\$250



25050

Utility | Stainless Steel

Dimensions

20" x 20" x 10"

Corner Radius

Small

Gauge

18

MSRP

\$500



Faucet Index

Faucets

Freestanding Bathtub

| | | | |
|--------------|-----|----------------|-----|
| Arc | 240 | Moderno | 242 |
| Brixton..... | 240 | Quadratto..... | 242 |
| Ernst..... | 241 | Monarch..... | 243 |
| Imara | 241 | | |

Wall & Deck Mount Bathtub

| | |
|--------------|-----|
| Monarch..... | 244 |
|--------------|-----|

Kitchen

| | |
|---------------|-----|
| Anthony | 245 |
| Pierre..... | 246 |
| Michael | 246 |



Arc

Single Lever Free-Standing Faucet

| Part # | MSRP |
|--------|---------|
| 83031 | \$1,380 |

Features

- Ceramic disc single lever cartridge
- Solid brass construction
- Triple-plated chrome finish.
- Triple-seal water supply system

Technical Specifications

- 6 gal / minute spout flow rate @ 65 psi
- Minimum operating temp.: 0 °C
- Maximum operating temp.: 90 °C



Brixton

Single Lever Free-Standing Faucet

| Part # | MSRP |
|--------|---------|
| 83096 | \$1,440 |

Features

- Ceramic disc single lever cartridge
- Solid brass construction
- Triple-plated chrome finish.
- Triple-seal water supply system

Technical Specifications

- 6.5 gal / minute spout flow rate @ 58 psi
- Minimum operating temp.: 4 °C
- Maximum operating temp.: 90 °C





Ernst

Single Lever Free-Standing Faucet

| Part # | MSRP |
|--------|---------|
| 83091 | \$1,440 |

Features

- Ceramic disc single lever cartridge
- Solid brass construction
- Triple-plated chrome finish.
- Triple-seal water supply system

Technical Specifications

- 5.7 gal / minute spout flow rate @ 58 psi
- Minimum operating temp.: 0 °C
- Maximum operating temp.: 90 °C



FAUCETS

Imara

Single Lever Handle Free-Standing Faucet

| Part # | MSRP |
|--------|---------|
| 83061 | \$1,440 |

Features

- Ceramic disc single lever cartridge
- Solid brass construction
- Triple-plated chrome finish.
- Triple-seal water supply system

Technical Specifications

- 5.5 gal / minute spout flow rate @ 65 psi
- Minimum operating temp.: 0 °C
- Maximum operating temp.: 90 °C





Moderno

Dual Lever or Cross Handle Free-Standing Faucet

| Product | Part # | MSRP |
|-------------------------|--------|---------|
| Chrome w/ Cross Handles | 83021 | \$1,380 |
| Chrome w/ Lever Handles | 83011 | \$1,380 |

Features

- Two ¼ turn ceramic cartridges
- Solid brass construction
- Triple-plated chrome finish
- Triple-seal water supply system

Technical Specifications

- 5 gal / minute spout flow rate @ 65 psi
- Minimum operating temp.: 0 °C
- Maximum operating temp.: 90 °C



Quadratto

Single Lever Free-Standing Faucet

| Part # | MSRP |
|--------|---------|
| 83041 | \$1,400 |

Features

- Ceramic disc single lever cartridge
- Solid brass construction
- Triple-plated chrome finish.
- Triple-seal water supply system

Technical Specifications

- 5.6 gal / minute spout flow rate @ 65 psi
- Minimum operating temp.: 0 °C
- Maximum operating temp.: 90 °C





Monarch

Dual Lever or Cross Handle Free-Standing Faucet

| Product | Part # | MSRP |
|-----------------|--------|---------|
| Chrome | | |
| - Cross Handles | 83071 | \$1,380 |
| - Lever Handles | 83051 | \$1,380 |



FAUCETS

Monarch With Stops

Dual Lever or Cross Handle Free-Standing Faucet

| Product | Part # | MSRP |
|-------------------------|--------|---------|
| Brushed Nickel | | |
| - Cross Handles & Stops | 81072 | \$1580 |
| - Lever Handles & Stops | 81082 | \$1,580 |





CROSS



LEVER



Monarch Deck Mount

Dual Lever or Cross Handle Faucet

| Product | Part # | MSRP |
|-------------------------|--------|-------|
| Chrome w/ Cross Handles | 82011 | \$500 |
| Chrome w/ Lever Handles | 82021 | \$500 |

Features

- Two ¼ turn ceramic cartridges
- Solid brass construction
- Triple-plated chrome finish
- Triple-seal water supply system
- Comes with adjustable pillars

Technical Specifications

- 5 gal / minute spout flow rate @ 65 psi
- Minimum operating temp.: 0 °C
- Maximum operating temp.: 90 °C
- Minimum operating pressure: 7 psi
- Maximum operating pressure: 145 psi



Monarch Risers

With Cross handle Shut-off Valves

| Product | Part # | MSRP |
|---------------------------------|--------|-------|
| Chrome w/ Cross Handles | 80125 | \$500 |
| Brushed Nickel w/ Cross Handles | 80126 | \$560 |

Features

- Solid brass construction
- Triple-plated chrome finish
- ¾" M x ¾" M with shut-off valve
- 31 ½" Tall



Monarch Wall Mount

Dual Lever or Cross Handle Faucet

| Product | Part # | MSRP |
|-------------------------|--------|-------|
| Chrome w/ Cross Handles | 80022 | \$500 |
| Chrome w/ Lever Handles | 80023 | \$500 |

Features

- Two ¼ turn ceramic cartridges
- Solid brass construction
- Triple-plated chrome finish
- Triple-seal water supply system
- **Technical Specifications**
- 5 gal / minute spout flow rate @ 65 psi
- Minimum operating temp.: 0 °C
- Maximum operating temp.: 90 °C



FAUCETS

Anthony

Single Lever Faucet

| Part # | MSRP |
|--------|-------|
| 86002 | \$350 |

Features

- Single lever handle
- Ceramic disc single lever cartridge
- Solid brass construction
- Triple-plated chrome finish.
- Triple-seal water supply system





Pierre

Single Lever Faucet

| Part # | MSRP |
|--------|-------|
| 86001 | \$260 |

Features

- Single lever handle
- Ceramic disc single lever cartridge
- Solid brass construction
- Triple-plated chrome finish.
- Triple-seal water supply system



Michael

Single Lever Faucet

| Part # | MSRP |
|--------|-------|
| 86003 | \$900 |

Features

- Ceramic disc single lever cartridge
- Solid brass construction
- Triple-plated chrome finish.
- Triple-seal water supply system





Index

Toilets

Elongated

| | |
|------------------------------|-----|
| 31030 | 248 |
| 31040 | 248 |
| 31042 | 248 |
| 31050 | 248 |
| 31080 | 250 |
| 31100 | 249 |
| 31120..... | 249 |
| 31205..... | 250 |
| 31170..... | 251 |
| 31250 Smart Toilet | 251 |
| 31250 Smart Toilet Seat..... | 251 |

Round Front

| | |
|-------------|-----|
| 31060 | 249 |
|-------------|-----|

Square Front

| | |
|-----------------|-----|
| 31140 | 249 |
| 31201 | 250 |
| 31201-BLK | 250 |

Toilet Seats

All of our toilets come with toilet seats

Replacement Parts

| | |
|-------|-----------|
| | 252 - 253 |
|-------|-----------|



31030

Bowl

Elongated

Soft Close Seat Included

Capacity

6L

Flush Style

Single

MSRP

\$230



NEW

31040

Bowl

Elongated

Soft Close Seat Included

19" Height

Capacity

4.8L

Flush Style

Single

MSRP

\$550



NEW

31042

Bowl

Elongated

Soft Close Seat Included

21" Height

Capacity

4.8L

Flush Style

Single

MSRP

\$570



31050

Bowl

Elongated

Soft Close Seat Included

Capacity

4.8L

Flush Style

Single

MSRP

\$240



31060

Bowl

Round Front

Soft Close Seat Included

Capacity

3 / 6L

Flush Style

Dual

MSRP

\$240



31100

Bowl

Elongated

Soft Close Seat Included

Capacity

5L

Flush Style

Dual

MSRP

\$340



31120

Bowl

Elongated

Soft Close Seat Included

Capacity

4 / 6L

Flush Style

Dual

MSRP

\$680



31140

Bowl

Square Front

Soft Close Seat Included

Capacity

6L

Flush Style

Single

MSRP

\$680





31201

Bowl

Square Front

Soft Close Seat Included

Capacity

4.8L

Flush Style

Single

MSRP

\$680



31201-BLK

Bowl

Square Front

Soft Close Seat Included

Capacity

4.8L

Flush Style

Single

Finish

Matte Black

MSRP

\$1,080



31205

Bowl

Elongated

Soft Close Seat Included

31080

Bowl

Elongated

Soft Close Seat Included

21" Height

Capacity

4.8L

Flush Style

Single

MSRP

\$680

Capacity

4.8L

Flush Style

Single

MSRP

\$580



31170

Bowl
Elongated

Capacity
4.8L

Soft Close Seat Included

Flush Style
Single

MSRP
\$240



31250 Smart Toilet

Bowl
Elongated

Flush Style
Single

Soft Close Seat Included

MSRP
\$1,700

Capacity
4.8L



31290 Smart Bidet Toilet Seat

For regular/ existing toilets

MSRP
\$700

TOILETS





Replacement Parts

| Toilet Model | Component | Part # | MSRP |
|--------------|-----------------------|--------|-------|
| 31030 | Flapper Seal | 33050 | \$20 |
| | Flushing Lever/Handle | 33060 | \$80 |
| | Seat | 33025 | \$120 |
| | Flush valve | 34005 | \$90 |

| Toilet Model | Component | Part # | MSRP |
|--------------|-----------------------|--------|-------|
| 31050 | Flushing Lever/Handle | 33061 | \$40 |
| | Seat | 33020 | \$100 |
| | Flush valve | 34000 | \$90 |

| Toilet Model | Component | Part # | MSRP |
|--------------|----------------------|--------|-------|
| 31060 | Flushing Push Button | 33063 | \$70 |
| | Seat | 33024 | \$100 |
| | Flush valve | 34001 | \$90 |

| Toilet Model | Component | Part # | MSRP |
|--------------|----------------------|--------|------|
| 31070 | Flushing Push Button | 33063 | \$70 |



Replacement Parts

| Toilet Model | Component | Part # | MSRP |
|--------------|-----------------------|--------|-------|
| 31080 | Flushing Lever/Handle | 33062 | \$60 |
| | Seat | 33022 | \$190 |
| | Flush Valve | 34003 | \$90 |

| Toilet Model | Component | Part # | MSRP |
|--------------|----------------------|--------|-------|
| 31120 | Flushing Push Button | 33064 | \$70 |
| | Seat | 33021 | \$120 |
| | Flush valve | 34004 | \$130 |

| Toilet Model | Component | Part # | MSRP |
|--------------|-----------------------|--------|-------|
| 31140 | Flushing Lever/Handle | 33061 | \$40 |
| | Seat | 33026 | \$230 |
| | Flush valve | 34007 | \$130 |

| Toilet Model | Component | Part # | MSRP |
|--------------|----------------------|--------|-------|
| 31150 | Flushing Push Button | 33063 | \$70 |
| | Seat | 33027 | \$190 |
| | Flush valve | 34014 | \$130 |

| Toilet Model | Component | Part # | MSRP |
|--------------|----------------------|--------|-------|
| 31201 | Flushing Push Button | 33066 | \$70 |
| | Seat | 33037 | \$100 |
| | Flush valve | 34015 | \$90 |

| Toilet Model | Component | Part # | MSRP |
|--------------|----------------------|--------|-------|
| 31201-BLK | Flushing Push Button | 33066 | \$70 |
| | Seat | 33038 | \$125 |
| | Flush valve | 34015 | \$90 |



Replacement Parts

| Toilet Model | Component | Part # | MSRP |
|--------------|-------------|--------|-------|
| 31205 | Seat | 33023 | \$100 |
| | Flush valve | 34006 | \$90 |

| Toilet Model | Component | Part # | MSRP |
|--------------|-------------|--------|-------|
| TB108 | Seat | 33028 | \$120 |
| | Flush valve | 34008 | \$80 |
| | Tank Lid | 33085 | \$80 |

| Toilet Model | Component | Part # | MSRP |
|--------------|-------------|--------|-------|
| TB109 | Seat | 33029 | \$120 |
| | Flush valve | 34009 | \$80 |
| | Tank Lid | 33084 | \$80 |

| Toilet Model | Component | Part # | MSRP |
|--------------|-------------|--------|-------|
| TB222 | Seat | 33033 | \$100 |
| | Flush valve | 34010 | \$130 |

| Toilet Model | Component | Part # | MSRP |
|--------------|-------------|--------|-------|
| TB326 | Seat | 33034 | \$190 |
| | Flush valve | 34011 | \$90 |

| Toilet Model | Component | Part # | MSRP |
|--------------|-------------|--------|-------|
| TB330 | Seat | 33035 | \$230 |
| | Flush valve | 34012 | \$130 |

| Toilet Model | Component | Part # | MSRP |
|--------------|-------------|--------|-------|
| TB346 | Seat | 33036 | \$190 |
| | Flush valve | 34013 | \$130 |



Aging In Place Index

Walk-In Baths

Upgrades & Accessories

| | |
|-----------------------------|-----|
| Upgrade Info..... | 256 |
| Upgrade Compatibility | 257 |
| Upgrade Options..... | 258 |
| Accessories..... | 259 |

Walk-In Baths

| | |
|------------------------------------|-----|
| Dignity..... | 261 |
| Freedom | 262 |
| Independence 54 | 263 |
| Independence 60..... | 264 |
| Integrity with Hydraulic Seat..... | 265 |
| Nobility..... | 266 |
| Pride LH | 267 |
| Pride RH..... | 268 |
| Tranquility | 269 |

Shower Bases

Shower Receptor

| | |
|--------------|-----|
| Pender | 270 |
|--------------|-----|

Barrier Free Shower Bases

| | |
|-------------------|-----|
| Centre Drain..... | 271 |
| End Drain..... | 272 |



Walk-In Bath Upgrades

Chromatherapy

Immerse yourself within a sea of light created by a dual mini-light Chromatherapy system. Bathers can choose between red, orange, yellow, green, blue, turquoise, and magenta, or cycle through a range of 9 blended colours. Combine Chromatherapy with a massage system to create a total spa experience.

Lateral Air

16 jets mounted around the perimeter of the bathing well infuse the water with a soothing stream of massaging bubbles. A ceramic heating core preheats the air as a 600-Watt Panasonic™ blower delivers a steady stream of warm air bubbles to the bather. Use the variable speed control pad to vary the intensity of the massage to your mood.

Enjoy peace of mind in knowing that all blowers are preprogrammed with an auto-drying cycle to clean and dry the system after every use.

HydroMassage

The hydromassage is the most vigorous of all available upgrades, featuring a $\frac{3}{4}$ hp high efficiency pump. Bath water circulates through 6 or more adjustable jets to deliver targeted massaging action with variable levels of intensity. Upgrade this massage system by adding additional jets or adding an in-line heater to help maintain your bath's water temperature.

ComfortWarm™

ComfortWarm™ uses radiant heat technology to directly heat the surface of the bathtub's back-rest. Use the three heat settings to adjust the heat intensity at any time with a simple press of the electronic touchpad.

VIBE Sound

The Vibe System allows you to enjoy your music or radio at the touch of a button in your shower or bathtub. The vibes of the music are synchronized with a Chromatherapy system that will change colors in synch with every beat of your favorite music.

Aromatherapy

Only a few drops of fragrance are needed. The system works using a pump which leads the air towards the receptacle which is filled with a combination of water and a few essential oil drops. Once the aromatherapy system is turned on, the diffuser spreads the natural scent of the essential oil into the ambient air.



Walk-In Bath Upgrade Compatibility

| Products | Chromatherapy | LateralAir | HydroMassage | ComfortWarm™ | VIBE Sound | Aromatherapy |
|-------------------------|---------------|------------|--------------|--------------|------------|--------------|
| Dignity | + | + | + | + | I or II | + |
| Freedom | + | + | + | + | I or II | + |
| Independence 54 / 60 | + | + | + | + | I or II | + |
| Integrity | + | + | + | + | I or II | + |
| Nobility | + | + | + | + | I or II | + |
| Pride | + | + | + | + | I or II | + |
| Tranquility | + | + | + | + | I or II | + |

***VIBE Sound I = Keypad, VIBE Sound II = Remote Control**

Please note for putting together multiple upgrades contact Acritec Customer Service at customerservice@acritec.com.



Walk-In Bath Upgrade Options

| Lateral Air | Part # | MSRP |
|---|--------|---------|
| 16 Jet Air System | | |
| - White | 00021 | \$2,150 |
| - Brushed Nickel | 00023 | \$2,430 |
| - Polished Chrome | 00024 | \$2,300 |
| - Remote control for air blower | 00133 | \$480 |
| - Remote Location kit for air blower (12' extra cable & hose) | 00131 | \$330 |
| Variable Air Blower (Replacement) | 00180 | \$770 |



| HydroMassage | Part # | MSRP |
|--------------------------------------|--------|---------|
| 6 Jet HydroMassage System | | |
| - White | 00101 | \$1,390 |
| - Polished Chrome | 00104 | \$1,280 |
| 8 Jet HydroMassage System | | |
| - White | 00111 | \$1,460 |
| - Polished Chrome | 00114 | \$1,400 |
| Add 1x HydroMassage Jet | | |
| - White | 00151 | \$150 |
| - Polished Chrome | 00154 | \$190 |
| Inline HydroMassage Heater | 00171 | \$470 |
| 110V 3/4HP Pump (Replacement) | 00260 | \$590 |



| | | |
|---------------------------------|-------|-------|
| Custom Jet System | 00155 | \$250 |
| Sound Deadening Pump Pad | 00160 | \$50 |

| Chromatherapy Lights | Part # | MSRP |
|----------------------|--------|-------|
| 2 x White Finish | 01020 | \$580 |
| 2 x Chrome Finish | 01021 | \$580 |



| ComfortWarm™ | | MSRP |
|---|----------|---------|
| 1x ComfortWarm™ Heated Backrest (70W) | 01040-01 | \$1,020 |
| 2x ComfortWarm™ Heated Backrests (2x35W) | 01040-02 | \$1,260 |



Walk-In Bath Upgrade Options

| VIBE Sound System | | MSRP |
|---|-------|---------|
| VIBE I + Chromatherapy Lights | | |
| 2x Speakers + 2x Chromatherapy Lights (White Finish) + Advanced Keypad | 01022 | \$1,970 |
| 2x Speakers + 2x Chromatherapy Lights (Chrome Finish) + Advanced Keypad | 01023 | \$1,970 |
| VIBE II + Chromatherapy Lights (For Most Freestanding Tubs) | | |
| 2x Speakers + 2x Chromatherapy Lights (White Finish) + Remote Control | 01024 | \$2,450 |
| 2x Speakers + 2x Chromatherapy Lights (Chrome Finish) + Remote Control | 01025 | \$2,450 |
| Aromatherapy System | | |
| Diffuser System + Keypad | 01030 | \$500 |



Aging In Place Accessories

| Accessories | Part # | MSRP |
|---|-------------|-------|
| Grab Bar - 6" (Installed) | | |
| - Clear / Gold Inserts | 01002 | \$240 |
| - White | 01003 | \$100 |
| Grab Bar - 10" (Installed) | | |
| - Chrome | 01004 | \$240 |
| 144" Plastic Tiling Flange (Part Only) | 02040 | \$90 |
| 144" Plastic Tiling Flange (Factory Installed) | 02040.02050 | \$310 |
| 64" Plastic Tiling Flange (Part Only) | 02041 | \$70 |
| 64" Plastic Tiling Flange (Factory Installed) | 02041.02050 | \$310 |
| 78" Aluminum Tiling Flange (Part Only) | 02042 | \$100 |
| 78" Aluminum Tiling Flange (Factory Installed) | 02042.02050 | \$330 |
| Collapsible Threshold (For Barrier Free Showers) | 05010 | \$280 |
| End Caps for Collapsible Threshold (Barrier Free Showers) | 05011 | \$60 |
| Lateral Air Accessories | | |
| Remote Location kit for air blower (12' extra cable & hose) | 00131 | \$330 |
| Remote control for air blower | 00133 | \$480 |



Bath Pillows



08010

Pillow | Contoured | Compatible with all Acritec baths

Dimensions

11 7/8" x 4 3/8"

Colour

Black

MSRP - \$100



08012

Pillow | Premium | Compatible with all Acritec baths

Dimensions

11 1/2" x 6 1/2"

Colour

Black

MSRP - \$140



08014

Pillow | Contoured | For baths with rounded backrests

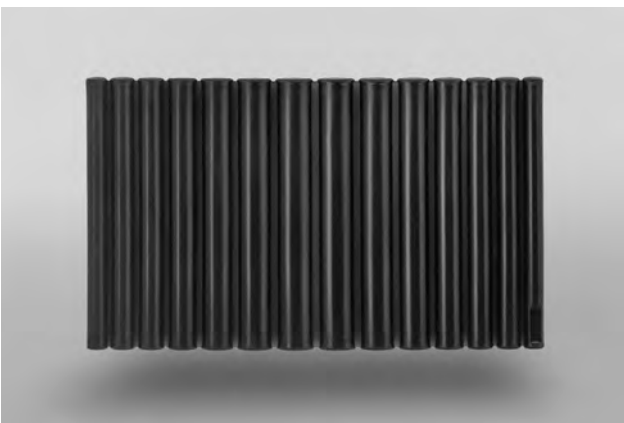
Dimensions

11 1/2" x 3 1/8"

Colour

Black

MSRP - \$120



08016

Pillow | Premium | Compatible with all Acritec baths

Dimensions

15 3/4" x 10 1/4"

Colour

Black

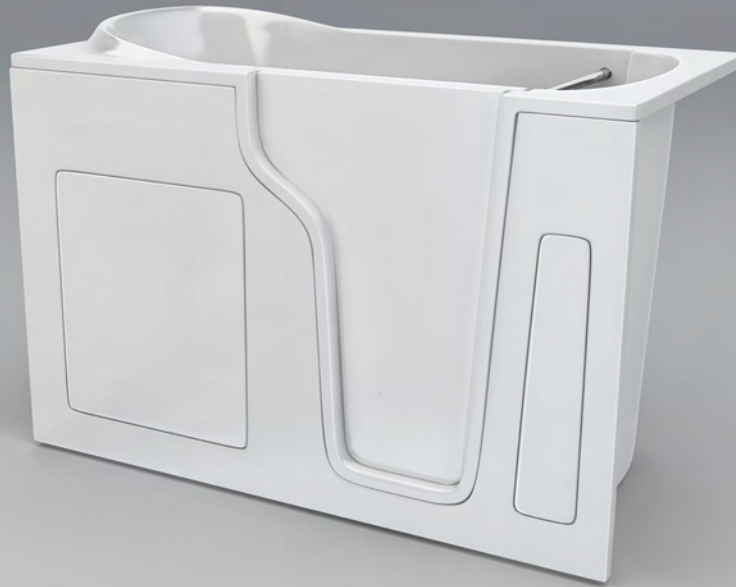
MSRP - \$270



Dignity

AGE IN PLACE

WALK-IN



Part # List Price

Extendable to 60"

Left - 70081 \$6,440

Right - 70082 \$6,440

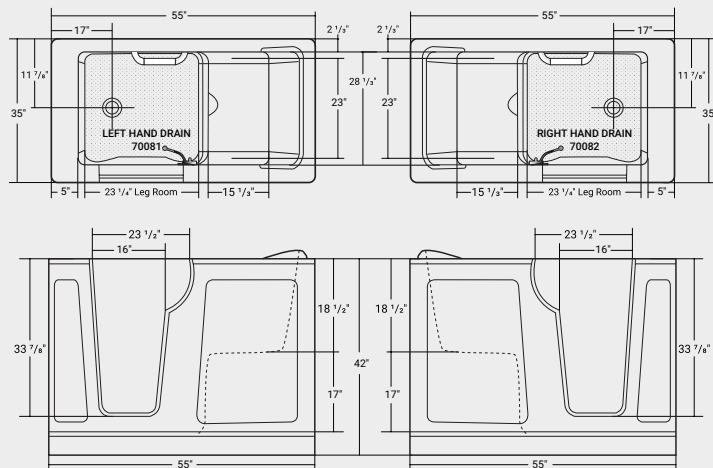
End Panel - 09012 \$370

Dimensions:

55" x 35" x 42"

Capacity Immersion Depth

110 US gallons 36"



Jetting Option

16 Jet Air System

- White - **00021** \$2,150
- Brushed Nickel - **00023** \$2,430
- Polished Chrome - **00024** \$2,300

8 Jet HydroMassage System

- White - **00111** \$1,460
- Polished Chrome - **00114** \$1,400

Inline Heater - **00171** \$470

Custom Jetting - 00155 \$250

Upgrades

Chromatherapy

- White - **01020** \$580
- Polished Chrome - **01021** \$580

Comfort Warm™

- Single - **01040-01** \$1,020
- Dual - **01040-02** \$1,260

Aromatherapy

- Aromatherapy - **01030** \$500

Vibe Sound System - See Page - 259

Accessories

Clicker Waste & Overflow Kit

- Polished Chrome - **01064** \$120

Grab Bar - 6" Installed

- Clear / Gold Inserts- **01002** \$240
- White - **01003** \$100

Grab Bars - 10" Installed

- Chrome- **01004** \$240

Additional Accessories

- See Page - 259 - 260



Freedom

AGE IN PLACE

WALK-IN



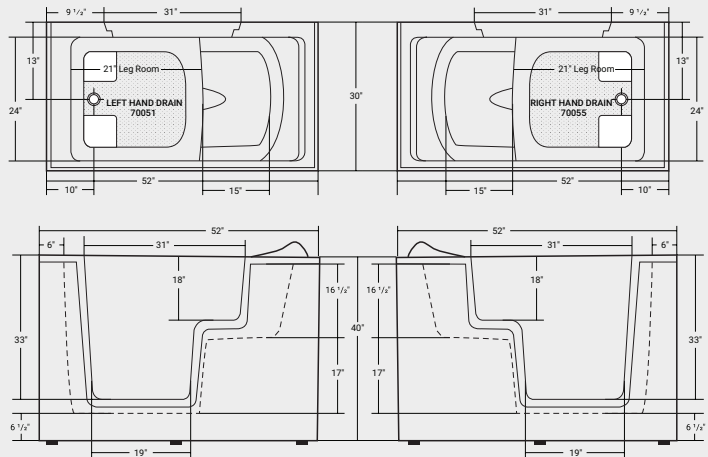
Part # List Price

Extendable to 60"

| | |
|-------------------|---------|
| Left - 70051 | \$6,980 |
| Right - 70055 | \$6,980 |
| End Panel - 09010 | \$370 |

Dimensions:
52" x 30" x 40"

Capacity 88 US gallons
Immersion Depth 37 1/2"



Jetting Option

16 Jet Air System

- White - **00021**\$2,150
- Brushed Nickel - **00023**.....\$2,430
- Polished Chrome - **00024**.....\$2,300

8 Jet HydroMassage System

- White - **00111**.....\$1,460
- Polished Chrome - **00114**.....\$1,400

Inline Heater - **00171** \$470

Custom Jetting - 00155 \$250

Upgrades

Chromatherapy

- White - **01020**\$580
- Polished Chrome - **01021**.....\$580

Comfort Warm™

- Single - **01040-01**.....\$1,020
- Dual - **01040-02**.....\$1,260

Aromatherapy

- Aromatherapy - **01030**.....\$500

Vibe Sound System - See Page - 259

Accessories

Clicker Waste & Overflow Kit

- Polished Chrome - **01064**.....\$120

Grab Bar - 6" Installed

- Clear / Gold Inserts- **01002** \$240
- White - **01003**\$100

Grab Bars - 10" Installed

- Chrome- **01004**\$240

Additional Accessories

- See Page - 259 - 260





Independence 54

AGE IN PLACE

WALK-IN



Part # List Price

| | |
|---------------|---------|
| Left - 70031 | \$7,430 |
| Right - 70041 | \$7,430 |

Dimensions:

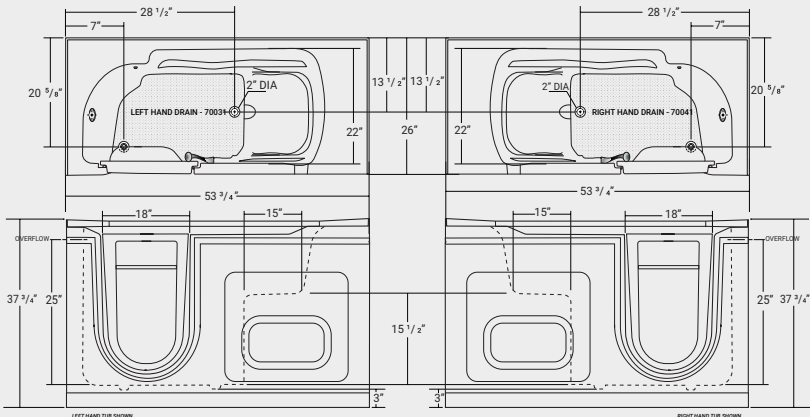
53 3/4" x 26" x 37 3/4"

Immersion Depth

24"

Capacity

66 US gallons



Jetting Option

16 Jet Air System

- White - **00021** \$2,150
- Brushed Nickel - **00023** \$2,430
- Polished Chrome - **00024** \$2,300

8 Jet HydroMassage System

- White - **00111** \$1,460
- Polished Chrome - **00114** \$1,400

Inline Heater - **00171** \$470

Custom Jetting - **00155** \$250

Upgrades

Chromatherapy

- White - **01020** \$580
- Polished Chrome - **01021** \$580

Comfort Warm™

- Single - **01040-01** \$1,020
- Dual - **01040-02** \$1,260

Aromatherapy

- Aromatherapy - **01030** \$500

Vibe Sound System - See Page - 259

Accessories

Clicker Waste & Overflow Kit

- Polished Chrome - **01064** \$120

Grab Bar - 6" Installed

- Clear / Gold Inserts- **01002** \$240
- White - **01003** \$100

Grab Bars - 10" Installed

- Chrome- **01004** \$240

Additional Accessories

- See Page - 259 - 260





Independence 60

AGE IN PLACE

WALK-IN



Part # List Price

| | |
|---------------|---------|
| Left - 70011 | \$7,440 |
| Right - 70021 | \$7,440 |

Dimensions:

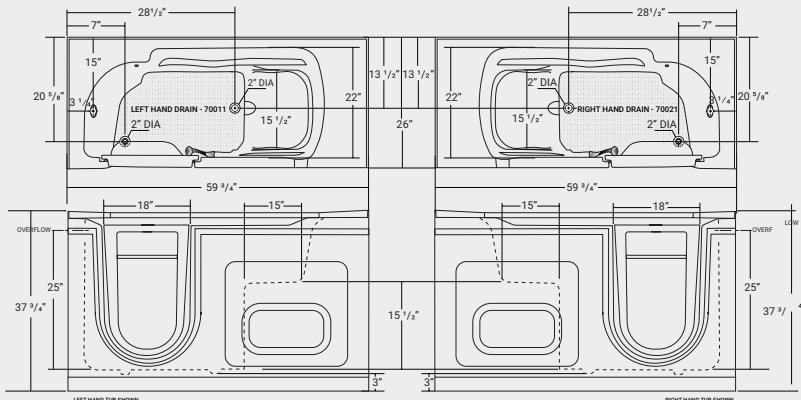
59 3/4" x 26" x 37 3/4"

Immersion Dep:

24"

Capacity:

74 US gallons



Jetting Option

16 Jet Air System

- White - **00021**\$2,150
- Brushed Nickel - **00023**\$2,430
- Polished Chrome - **00024**\$2,300

8 Jet HydroMassage System

- White - **00111**\$1,460
- Polished Chrome - **00114**\$1,400

Inline Heater - **00171** \$470

Custom Jetting - 00155 \$250

Upgrades

Chromatherapy

- White - **01020**\$580
- Polished Chrome - **01021**\$580

Comfort Warm™

- Single - **01040-01**\$1,020
- Dual - **01040-02**\$1,260

Aromatherapy

- Aromatherapy - **01030**\$500

Vibe Sound System - See Page - 259

Accessories

Clicker Waste & Overflow Kit

- Polished Chrome - **01064**\$120

Grab Bar - 6" Installed

- Clear / Gold Inserts- **01002**\$240
- White - **01003**\$100

Grab Bars - 10" Installed

- Chrome- **01004**\$240

Additional Accessories

- See Page - 259 - 260





Integrity

AGE IN PLACE



WALK-IN

Part # List Price

| | |
|---------------|---------|
| Left - 71061 | \$7,950 |
| Right - 71062 | \$7,950 |

Dimensions:

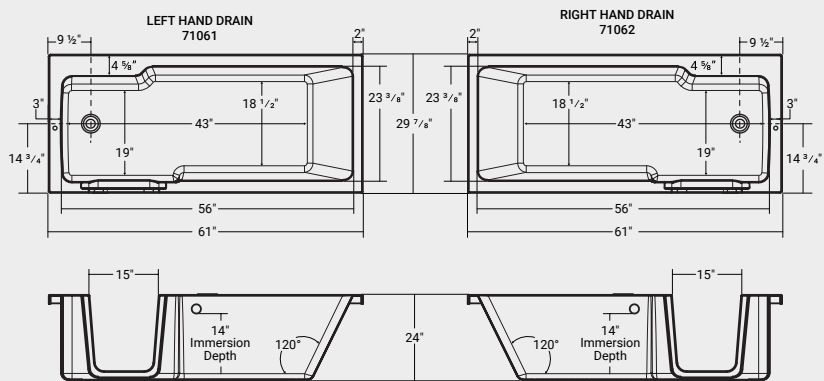
61" x 29 7/8" x 24"

Immersion Depth

14"

Capacity

62 US gallons



Jetting Option

16 Jet Air System

- White - **00021** \$2,150
- Brushed Nickel - **00023** \$2,430
- Polished Chrome - **00024** \$2,300

8 Jet HydroMassage System

- White - **00111** \$1,460
- Polished Chrome - **00114** \$1,400

Inline Heater - **00171** \$470

Custom Jetting - **00155** \$250

Upgrades

Chromatherapy

- White - **01020** \$580
- Polished Chrome - **01021** \$580

Comfort Warm™

- Single - **01040-01** \$1,020
- Dual - **01040-02** \$1,260

Aromatherapy

- Aromatherapy - **01030** \$500

Vibe Sound System - See Page - 259

Accessories

Clicker Waste & Overflow Kit

- Polished Chrome - **01064** \$120

Grab Bar - 6" Installed

- Clear / Gold Inserts- **01002** \$240
- White - **01003** \$100

Grab Bars - 10" Installed

- Chrome- **01004** \$240

Additional Accessories

- See Page - 259 - 260





Nobility

AGE IN PLACE

WALK-IN

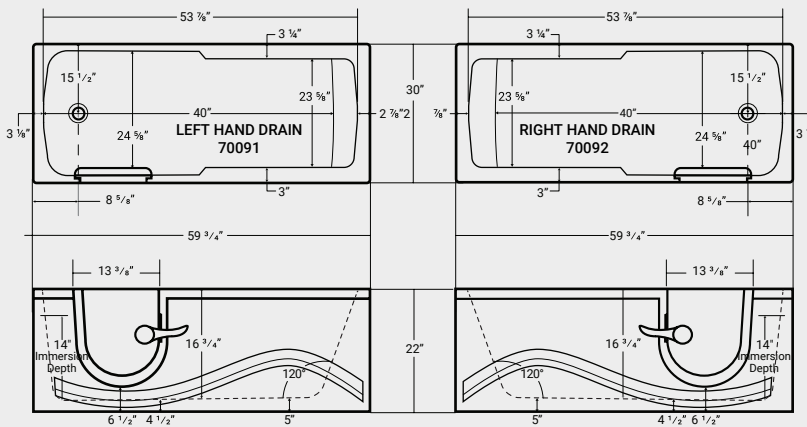


| Part # | List Price |
|---------------|------------|
| Left - 70091 | \$4,000 |
| Right - 70092 | \$4,000 |

Dimensions:
59 3/4" x 30" x 22"

Immersion Depth
14"

Capacity:
40 US gallons



Jetting Option

16 Jet Air System

- White - **00021** \$2,150
- Brushed Nickel - **00023** \$2,430
- Polished Chrome - **00024** \$2,300

8 Jet HydroMassage System

- White - **00111** \$1,460
- Polished Chrome - **00114** \$1,400

Inline Heater - **00171** \$470

Custom Jetting - **00155** \$250

Upgrades

Chromatherapy

- White - **01020** \$580
- Polished Chrome - **01021** \$580

Comfort Warm™

- Single - **01040-01** \$1,020
- Dual - **01040-02** \$1,260

Aromatherapy

- Aromatherapy - **01030** \$500

Vibe Sound System - See Page - 259

Accessories

Clicker Waste & Overflow Kit

- Polished Chrome - 01064 \$120

Grab Bar - 6" Installed

- Clear / Gold Inserts- **01002** \$240
- White - **01003** \$100

Grab Bars - 10" Installed

- Chrome- **01004** \$240

Additional Accessories

- See Page - 259 - 260





Pride LH

AGE IN PLACE



Faucets not included

WALK-IN

Part # List Price

| | |
|-------------------|---------|
| Extendable to 60" | |
| Left - 70071 | \$6,000 |
| End Panel - 09011 | \$370 |

Dimensions:

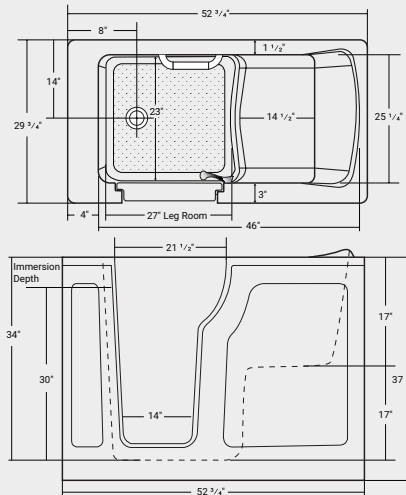
52 3/4" x 29 3/4" x 37 1/2"

Immersion Depth

30"

Capacity

88 US gallons



Jetting Option

16 Jet Air System

- White - **00021** \$2,150
- Brushed Nickel - **00023** \$2,430
- Polished Chrome - **00024** \$2,300

8 Jet HydroMassage System

- White - **00111** \$1,460
- Polished Chrome - **00114** \$1,400

Inline Heater - **00171** \$470

Custom Jetting - 00155 \$250

Upgrades

Chromatherapy

- White - **01020** \$580
- Polished Chrome - **01021** \$580

Comfort Warm™

- Single - **01040-01** \$1,020
- Dual - **01040-02** \$1,260

Aromatherapy

- Aromatherapy - **01030** \$500

Vibe Sound System - See Page - 259

Accessories

Clicker Waste & Overflow Kit

- Polished Chrome - 01064 \$120

Grab Bar - 6" Installed

- Clear / Gold Inserts- **01002** \$240
- White - **01003** \$100

Grab Bars - 10" Installed

- Chrome- **01004** \$240

Additional Accessories

- See Page - 259 - 260





Pride RH

AGE IN PLACE

WALK-IN



Faucets not included

Part # List Price

Extendable to 60"

Left - 70075 \$6,000

End Panel - 09011 \$370

Dimensions:

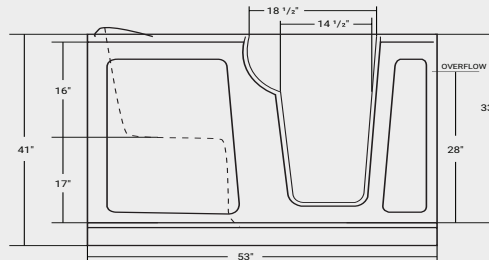
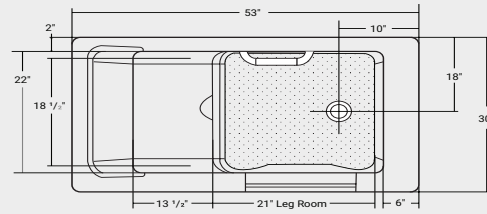
53" x 30" x 41"

Immersion Depth

27"

Capacity

88 US gallons



Jetting Option

16 Jet Air System

- White - **00021** \$2,150
- Brushed Nickel - **00023** \$2,430
- Polished Chrome - **00024** \$2,300

8 Jet HydroMassage System

- White - **00111** \$1,460
- Polished Chrome - **00114** \$1,400

Inline Heater - **00171** \$470

Custom Jetting - **00155** \$250

Upgrades

Chromatherapy

- White - **01020** \$580
- Polished Chrome - **01021** \$580

Comfort Warm™

- Single - **01040-01** \$1,020
- Dual - **01040-02** \$1,260

Aromatherapy

- Aromatherapy - **01030** \$500

Vibe Sound System - See Page - 259

Accessories

Clicker Waste & Overflow Kit

- Polished Chrome - 01064 \$120

Grab Bar - 6" Installed

- Clear / Gold Inserts- **01002** \$240
- White - **01003** \$100

Grab Bars - 10" Installed

- Chrome- **01004** \$240

Additional Accessories

- See Page - 259 - 260





Tranquility

AGE IN PLACE



Faucets not included

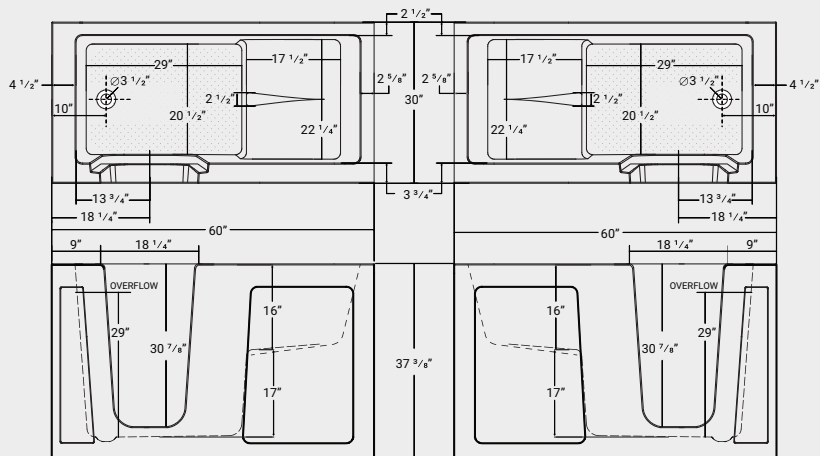
WALK-IN

| Part # | List Price |
|---------------|------------|
| Left - 70093 | \$7,440 |
| Right - 70094 | \$7,440 |

Dimensions:
60" x 30" x 37 3/8"

Immersion Depth
28"

Capacity
90 US gallons



Jetting Option

16 Jet Air System

- White - **00021** \$2,150
- Brushed Nickel - **00023** \$2,430
- Polished Chrome - **00024** \$2,300

8 Jet HydroMassage System

- White - **00111** \$1,460
- Polished Chrome - **00114** \$1,400

Inline Heater - **00171** \$470

Custom Jetting - 00155 \$250

Upgrades

Chromatherapy

- White - **01020** \$580
- Polished Chrome - **01021** \$580

Comfort Warm™

- Single - **01040-01** \$1,020
- Dual - **01040-02** \$1,260

Aromatherapy

- Aromatherapy - **01030** \$500

Vibe Sound System - See Page - 259

Accessories

Clicker Waste & Overflow Kit

- Polished Chrome - 01064 \$120

Grab Bar - 6" Installed

- Clear / Gold Inserts- **01002** \$240
- White - **01003** \$100

Grab Bars - 10" Installed

- Chrome- **01004** \$240

Additional Accessories

- See Page - 259 - 260





Pender

AGE IN PLACE

WALK-IN

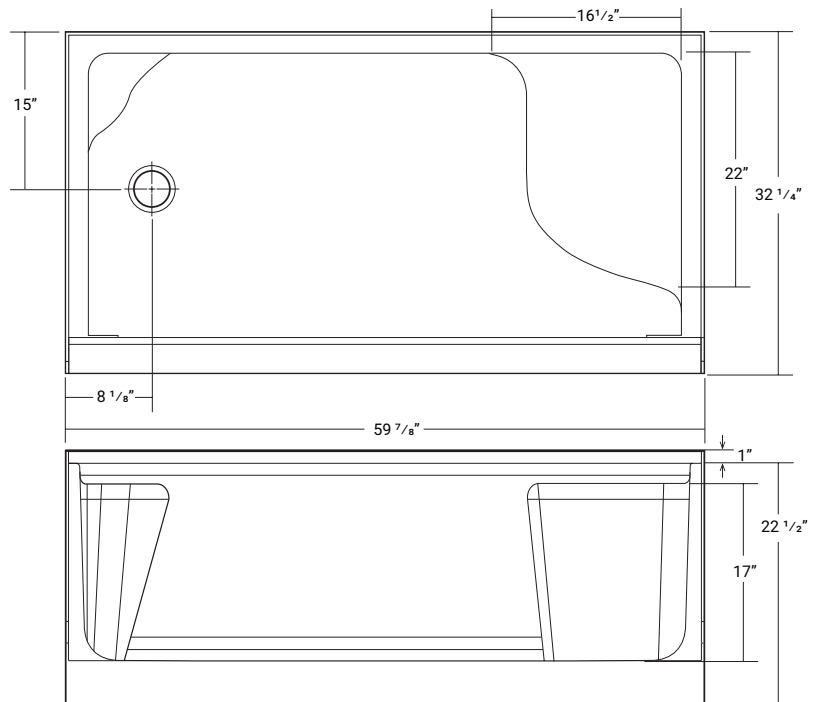


Height: 22 1/2"

| Part # | MSRP |
|------------|---------|
| LH - 63612 | \$1,080 |
| RH - 63613 | \$1,080 |

Features

- 17" comfort height seat
- Soap shelf
- End drain
- Traditional bath replacement size
- Integral tiling flange



Compatible Shower Door

| Abbott 60" | Part # |
|-------------|--------|
| Chrome | 57073 |
| Matte Black | 57074 |





Barrier-Free

CENTRE DRAIN



BARRIER FREE

Height: 2" s

| Dimensions (Width x Depth) | | Part# | MSRP |
|---|----|-------|---------|
| 48 x 36 | | 72011 | \$1,770 |
| 48 x 38 | NS | 72021 | \$1,780 |
| 48 x 42 | NS | 72031 | \$1,790 |
| 48 x 48 | NS | 72041 | \$1,790 |
| 54 x 36 | NS | 72051 | \$1,960 |
| 60 x 32 | | 72081 | \$1,820 |
| 60 x 34 | NS | 72111 | \$1,850 |
| 60 x 36 | | 72121 | \$1,400 |
| 60 x 38 | NS | 72131 | \$1,900 |
| 60 x 40 | NS | 72141 | \$1,930 |
| 60 x 42 | NS | 72151 | \$1,490 |
| | | Part# | MSRP |
| Collapsible Threshold | | 05010 | \$280 |
| End Caps for Collapsible Threshold (Barrier Free Showers) | | 05011 | \$60 |

NS: These sizes are made to order and are generally non-stocking items. Please allow for manufacturing time. NS models not returnable once ordered.





Barrier-Free

END DRAIN



BARRIER FREE

Height: 2"

| Dimensions (Width x Depth) | LH-Drain # | MSRP | RH-Drain # | MSRP |
|---|------------|---------|------------|---------|
| 60" x 30" | 72061 | \$1,400 | 72071 | \$1,400 |
| 60" x 32" | 72091 | \$1,070 | 72101 | \$1,070 |
| | | | Part# | MSRP |
| Collapsible Threshold | | | 05010 | \$280 |
| End Caps for Collapsible Threshold (Barrier Free Showers) | | | 05011 | \$60 |

"Consult technical specifications for threshold heights and drain placements. Barrier free shower bases are not intended for installation with a shower door."



